



DZK DAMPER ACTUATOR

Actuator device to operate the gate of the circular 6 and 8 inch dampers.
Fixed in position with one #3 Allen screw. Mechanical connection through a gear.
Powered with 12 VDC supplied by the DZK Zoning box actuators outputs.

DZK-DA-1



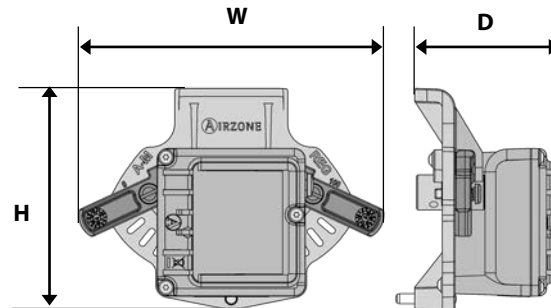
Rev. 100

10-2016



TECHNICAL SPECS

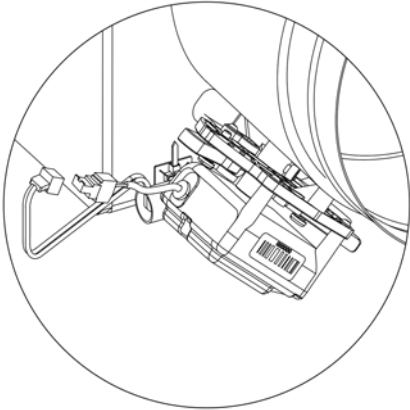
Power supply and consumption	
Type of power supply	Vdc
V max	12 V supplied from Main Control Board
I max	250 mA
Mechanical aspects	
Torque at the actuator axle	0.8 Nm
Dimensions (WxHxD)	47.6x34.7x25.7 inch (122x89x66 mm)
Weight (Mass)	0.4lb (0.198 kg)



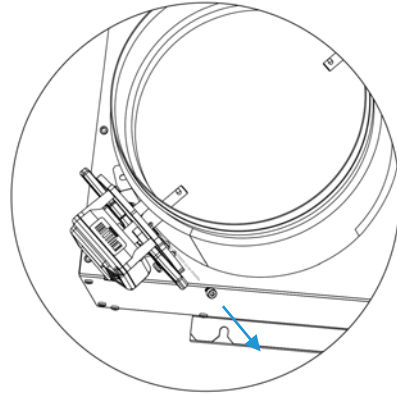


ASSEMBLY

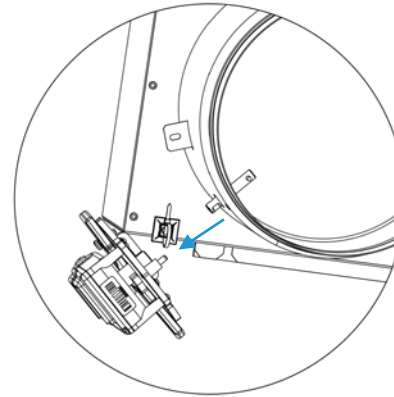
- 1 Disconnect the actuator cable



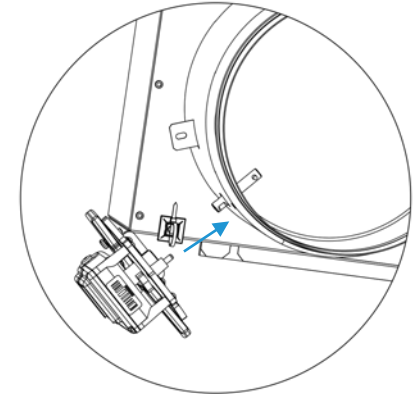
- 2 Unscrew the hub setting screw (Allen n°3)



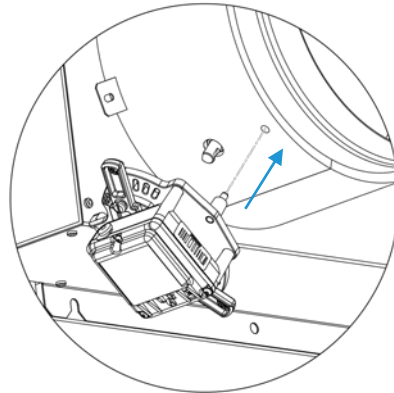
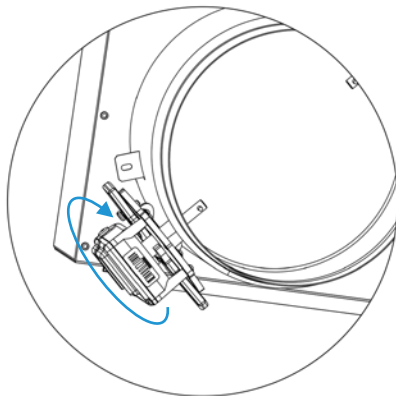
- 3 Extract the motor away from the damper



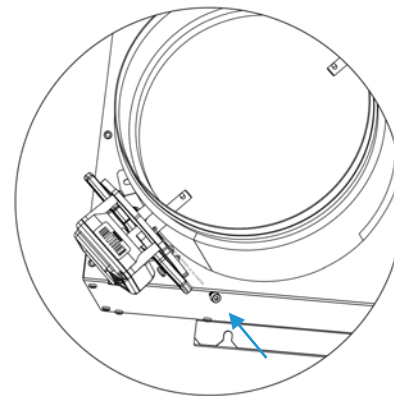
- 4 Locate the new motor matching its groove with the flatten dip of the gate



- 5 Turn the motor until the protruding tip of its mount matches with the hole in the damper body



- 6 Insert and screw the hub setting screw



- 7 Connect the actuator cable

