



6" DAMPER WITH ACTUATOR

6" diameter damper with actuator. Powered with 12 VDC supplied by the DZK Zoning box actuators outputs.

Replacement damper for DZK Zoning boxes:

- DZK030E5
- DZK030E5-2
- DZK030E5-3
- DZK048E6
- DZK048E6-2
- DZK048E6-3

DZK-D6-1



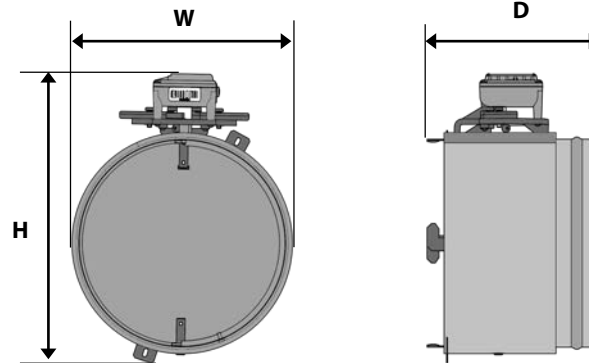
Rev. 1.00

10-2016



TECHNICAL SPECS

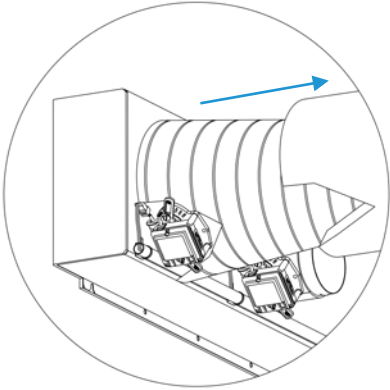
Power supply and consumption	
Type of power supply	Vdc
V max	12 V supplied from Main Control Board
I max	250 mA
Operating temperatures	
Storage	-4 to 158°F (-20 to 70 °C)
Operation	32 to 122°F (0 to 50°C)
Operating humidity range	5 to 90% (non-condensing)
Mechanical aspects	
Torque at the actuator axle	0.8 Nm
Weight (Mass)	1.66 lb (755 g)
Size	6 inch
Dimensions (WxHxD)	6.61x8.3x6.5 inch (168x211x165 mm)



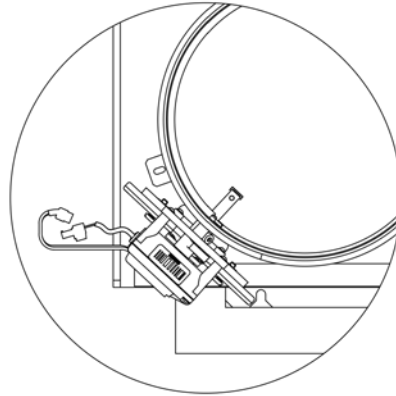


ASSEMBLY

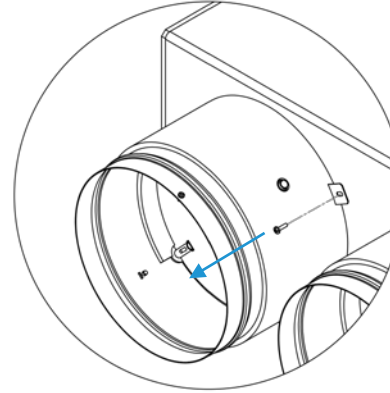
- 1 Disconnect the flexible duct and take the insulation away



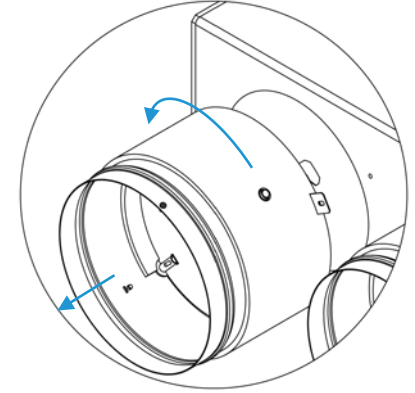
- 2 Disconnect the actuator cable



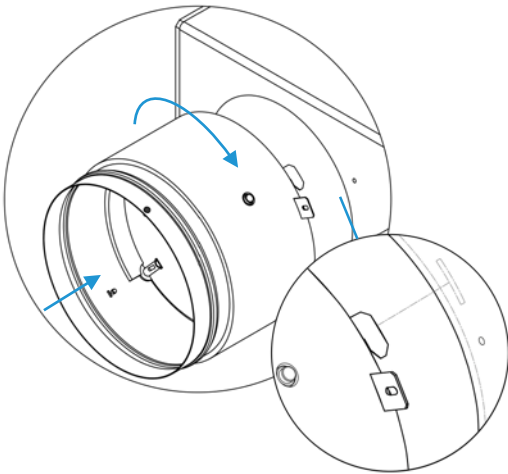
- 3 Unscrew the supporting screw using a star screwdriver



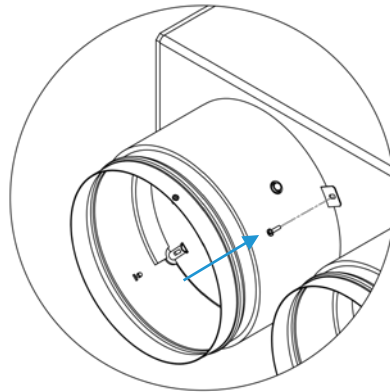
- 4 Turn the damper counter-clockwise and pull it back to fully release it from the DZK box



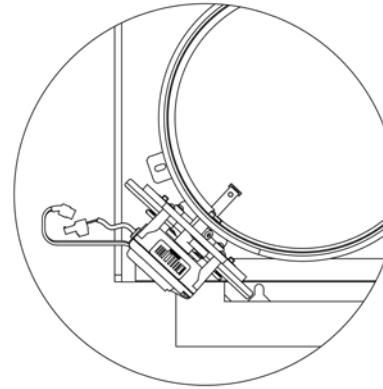
- 5 Insert the new damper, turn it clockwise to have it locked to the DZK box (see insert) and have the screw hole aligned with the hole in the DZK



- 6 Insert the star screw back in position



- 7 Connect the actuator cable to its extension



- 8 Insulate the damper and connect the flexible duct

