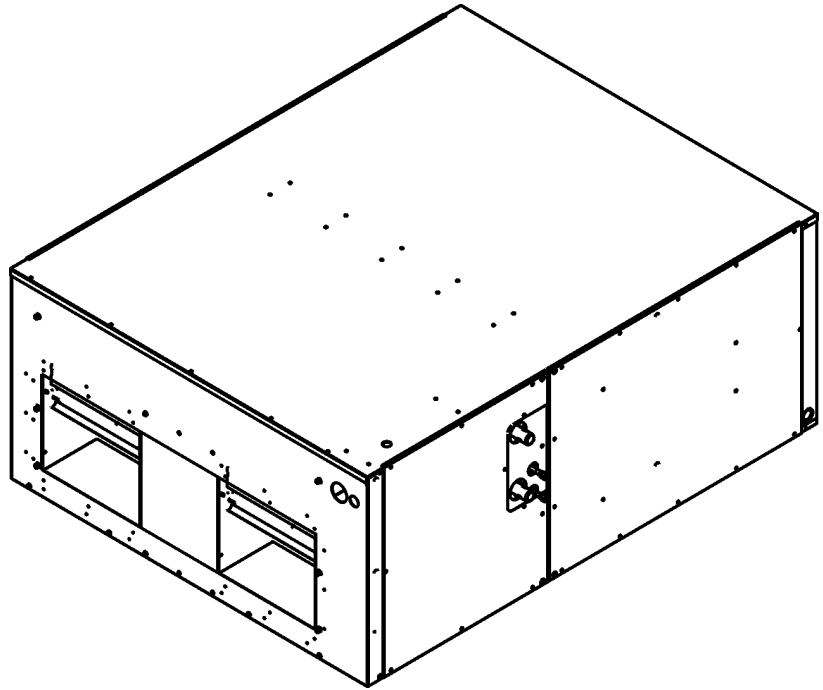


**DAT Commercial 2-Speed Air Handler**

DAT09043AA  
DAT09044AA  
DAT12043AA  
DAT12044AA



This manual is to be used by qualified technicians only.

This manual replaces RP-D4022.

© 2014 , 2018 **DAIKIN COMPANY, L.P.** ♦ 5151 San Felipe St., Suite 500 ♦ Houston, TX 77056

# Important Information

---

## Index

Functional Parts List .....	3
Illustration and Parts .....	4 - 11

*Views shown are for parts illustrations only, not servicing procedures*

### Text Codes:

AR - As Required

NA - Not Available

NS - Not Shown

00000000 - See Note

QTY - Quantity Example (QTY 3) (If Quantity not shown, Quantity = 1)

M - Model Example (M1) (If M Code not shown, then part is used on all Models)

### Expanded Model Nomenclature:

Example M1 - Model#1 M2 - Model#2 M3 - Model#3
---

Daikin Company, L.P. is not responsible for personal injury or property damage resulting from improper service. Review all service information before beginning repairs.

Warranty service must be performed by an authorized technician, using authorized factory parts. If service is required after the warranty expires, Daikin Company, L.P. also recommends contacting an authorized technician and using authorized factory parts.

Daikin Company, L.P. reserves the right to discontinue, or change at any time, specifications or designs without notice or without incurring obligations.

For assistance within the U.S.A. contact:

Equipment Support  
Daikin North America, LLC  
19001 Kermier Road  
Waller, Texas 77484  
855-770-5678-Telephone  
713-863-2382-Facsimile

For assistance outside the U.S.A. contact:

International Division  
Daikin North America, LLC  
19001 Kermier Road  
Waller, Texas 77484  
713-861-2500-Telephone  
713-863-2382-Facsimile

# Functional Parts

## Part

## No: Description:

---

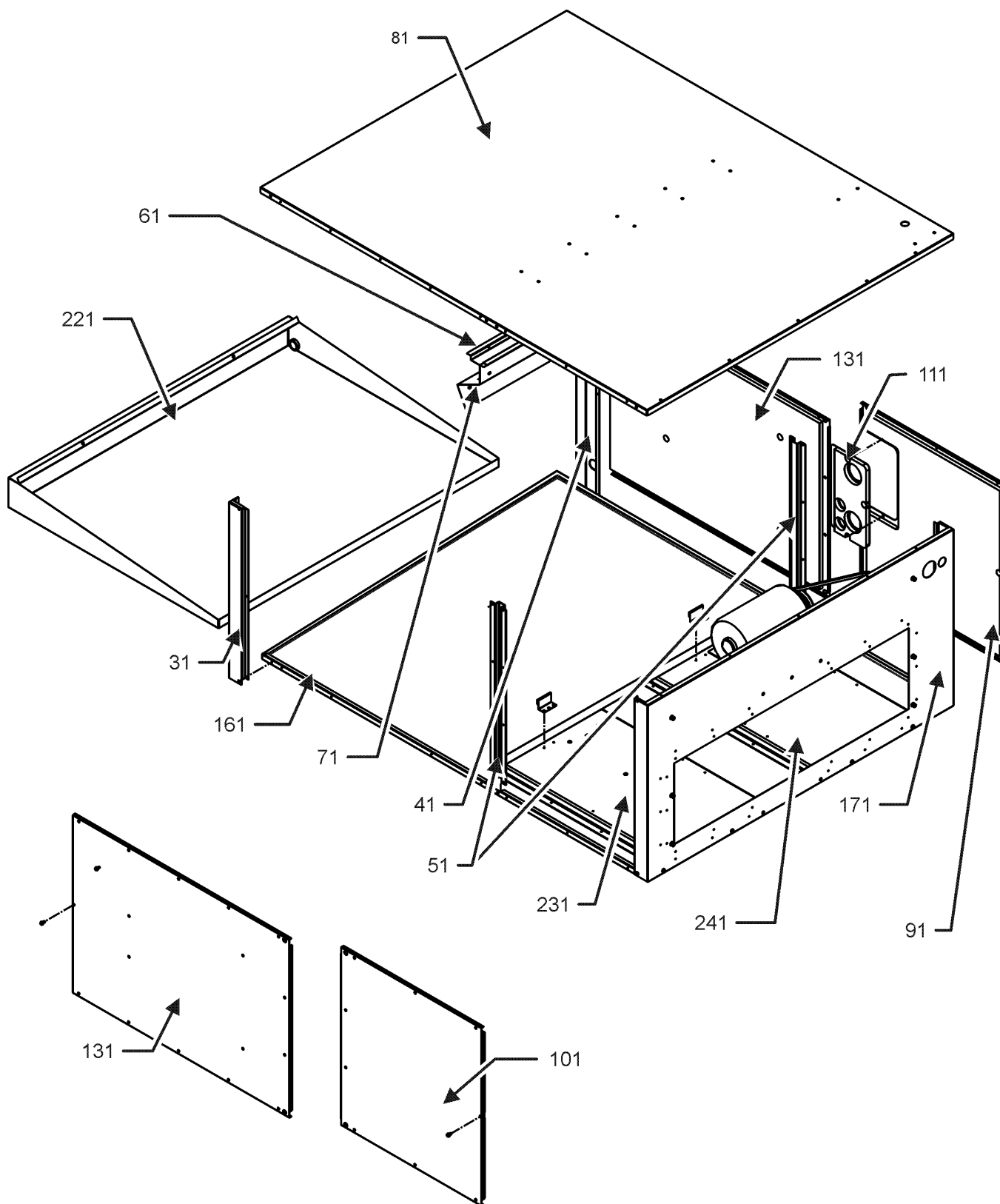
B1368056	BELT DRIVE BLOWER WHEEL (QTY 2)
CONT3P025024V	CONTACTOR 25 AMP, 3P, 24V (QTY 2)
B2110011	FAN BELT AX41 (M3, M4)
0164L00020	FAN BELT NOTCHED (M1, M2)
0131L00041	MOTOR 2 HP BELT DRIVE 208-230V (M1, M3)
0131L00043	MOTOR 2HP BELT DRIVE 460V (M2, M4)
10135604	RELAY (QTY 2)
B1256551	SEQUENCER 5 KW
0130M00144	TRANSFORMER

### Expanded Model Nomenclature

M1 - DAT09043AA
M2 - DAT09044AA
M3 - DAT12043AA
M4 - DAT12044AA

# Cabinet Assembly

## CABINET ASSEMBLY



# Cabinet Assembly

Ref. Part No: No:	Description:	Ref. Part No: No:	Description:
-------------------	--------------	-------------------	--------------

---

**Image 1:**

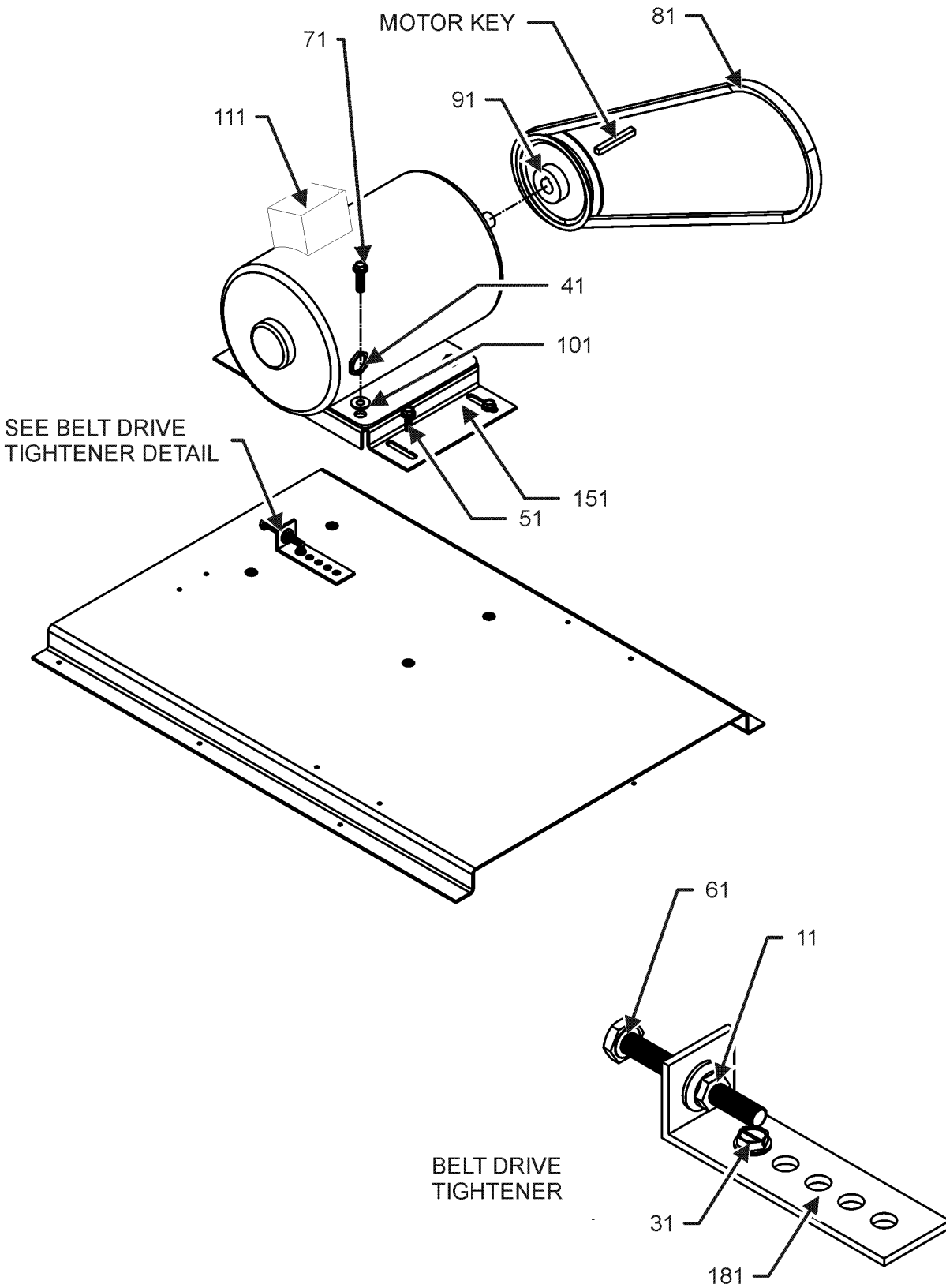
31	2122002F	REAR CORNER PANEL
41	2122003F	FRONT CORNER PANEL
51	2122011F	SUPPORT BRACKET (QTY 2)
61	2155716F	CHANNEL
71	0121A00503	COIL BLOCK-OFF TOP (10 TON)
81	0270A00902	RIGHT SIDE PANEL INSUL. ASM.
91	2190004F	UPPER ACCESS PANEL INSUL. ASM.
101	2190005F	REAR PANEL INSUL. ASM.
111	2190006F	BLOCK-OFF PANEL INSUL. ASM.
131	2190003F	LOWER ACCESS PANEL (QTY 2)
161	2190000F	LEFT SIDE PANEL INSUL. ASM
171	2190002F	TOP PANEL INSUL. ASM
221	2102000Fs	DRAIN PAN ASSEMBLY
231	2124001F	SUPPORT PLATE
241	2162504F	SUPPORT PLATE ASM.

**Expanded Model Nomenclature**

M1 - DAT09043AA
M2 - DAT09044AA
M3 - DAT12043AA
M4 - DAT12044AA

# Belt Drive Assembly

## BELT DRIVE ASSEMBLY



# Belt Drive Assembly

**Ref. Part  
No: No:**

**Description:**

**Ref. Part  
No: No:**

**Description:**

---

**Image 1:**

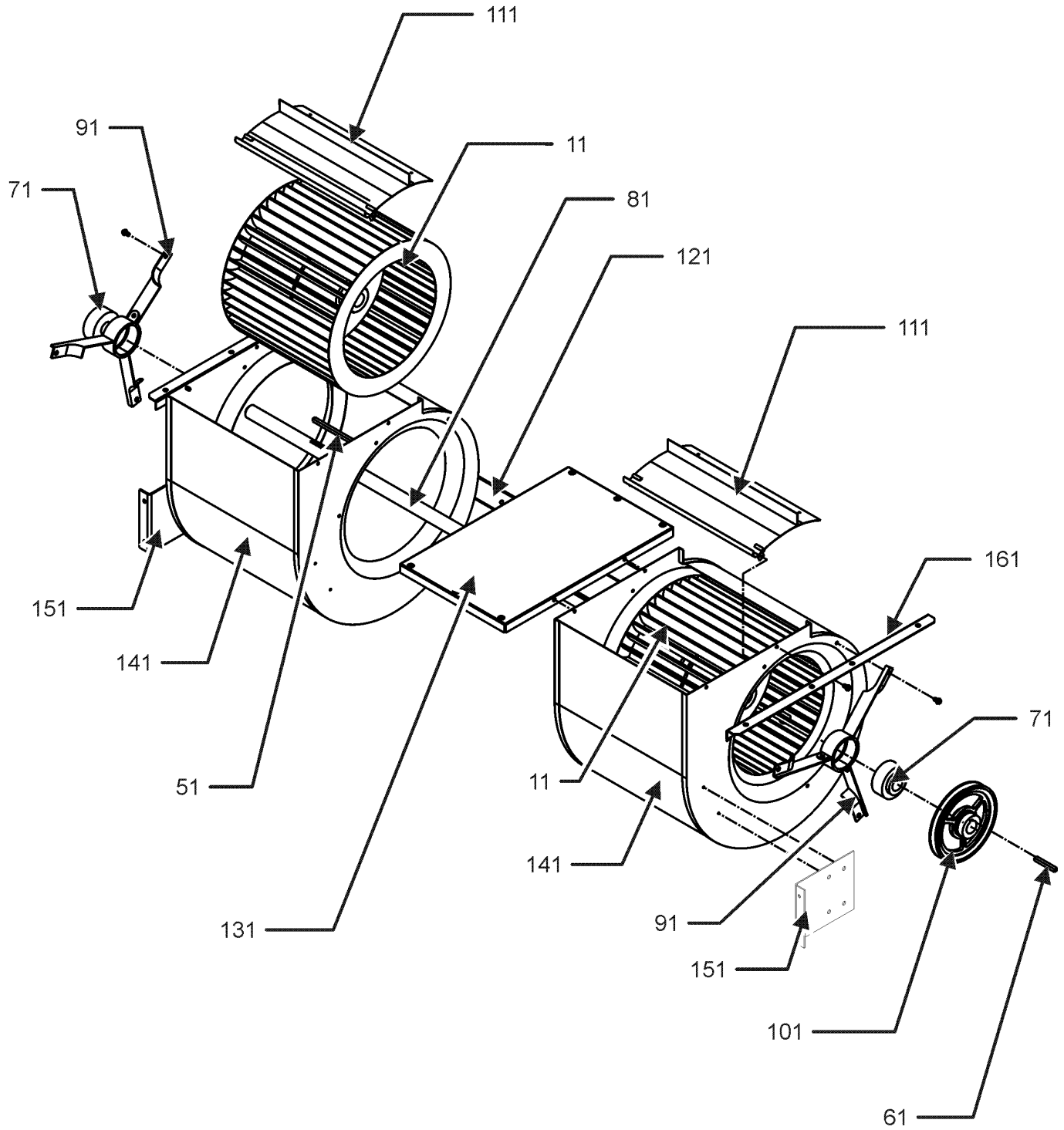
11	B1393023	NUT / LOCK .25-20
31	B1393576	SCREW / TTH .25 X 0.5 (QTY 13)
41	B1393726	ELECT. CONNECTING BUSHING
51	B1393738	BOLT 1/4-20 X 3/4" (QTY 4)
61	0163M00045	BOLT 1/4-20 X 4"
71	B1446707	SCREW 5/16-18 X 1" (QTY 4)
81	B2110011	FAN BELT AX41 (M3, M4)
81	0164L00020	FAN BELT NOTCHED (M1, M2)
91	B2120014	VARIABLE PITCH SHEAVE 1VL44 X 7/8" (M3, M4)
91	0163L00012	VARIABLE PITCH SHEAVE VL40 (M1, M2)
101	B1392923	FLAT WASHER (QTY 4)
111	0131L00041	MOTOR 2 HP BELT DRIVE 208-230V (M1, M3)
111	0131L00043	MOTOR 2HP BELT DRIVE 460V (M2, M4)
151	2162505F	MOTOR BASE
181	3225000F	BELT TIGHTENER ANGLE

**Expanded Model Nomenclature**

M1 - DAT09043AA
M2 - DAT09044AA
M3 - DAT12043AA
M4 - DAT12044AA

# Blower Assembly

## BLOWER ASSEMBLY





# Blower Assembly

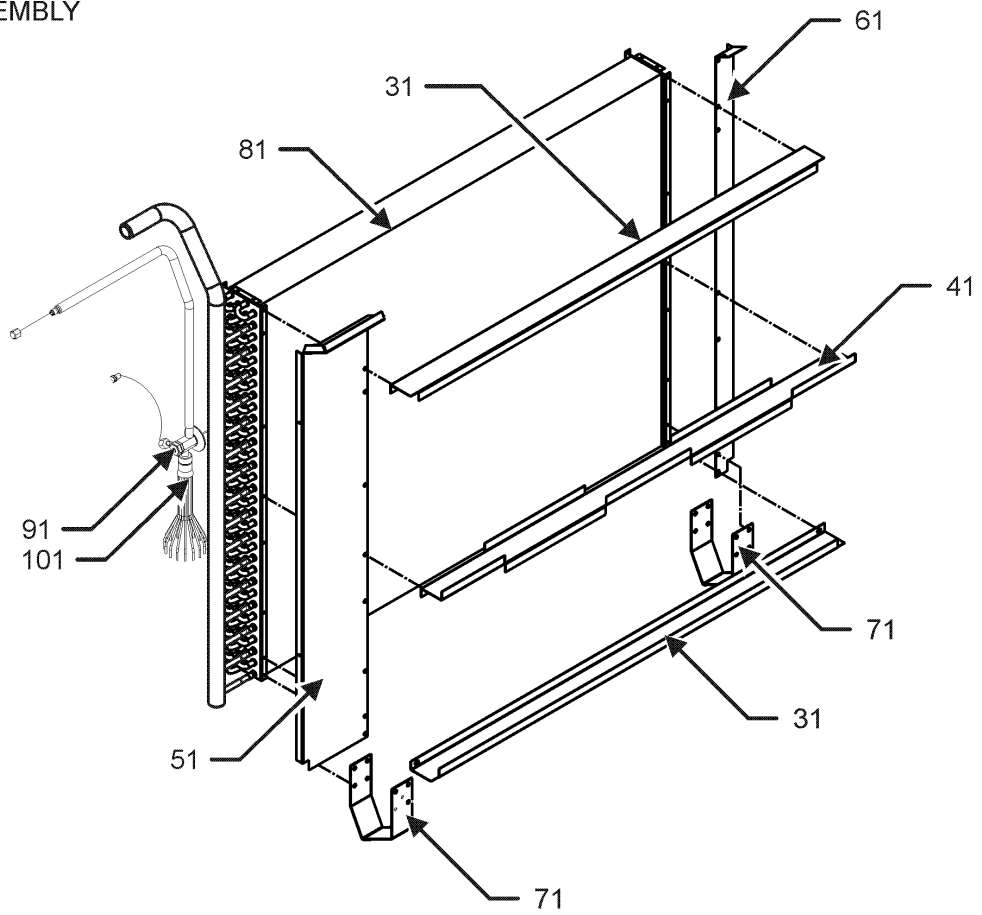
Ref. Part No:	No:	Description:	Ref. Part No:	No:	Description:
<i>Image 1:</i>					
11	B1368056	BELT DRIVE BLOWER WHEEL (QTY 2)			
51	B1398603	STEEL KEY (000158812) 4.5" (QTY 2)			
61	B1398604	STEEL KEY (000158812) 2.0"			
71	B1399500	BALL BEARING 1.00" (QTY 2)			
81	B3200202	BLOWER SHAFT, 1"			
91	B3201300	MOUNTING BRACKET BEARING (QTY 2)			
101	0163L00135	SHEAVE, FIXED AK66H			
111	1864703F	BLOWER CUT-OFF (QTY 2)			
121	2122012F	BLOWER SUPPORT ANGLE			
131	2190007F	BLOWER PLATE / INSULATION ASSEMBLY			
141	2539302F	BLOWER HOUSING 11 X 10 (QTY 2)			
151	2124004F	BLOWER SUPPORT (QTY 2)			
161	2155715F	SCROLL ANGLE (QTY 2)			
NS	B1392021	PLASTIC PLUG, 1" (2713-BLK) (QTY 4)			
NS	0259L00194	WIRE HARNESS			

## Expanded Model Nomenclature

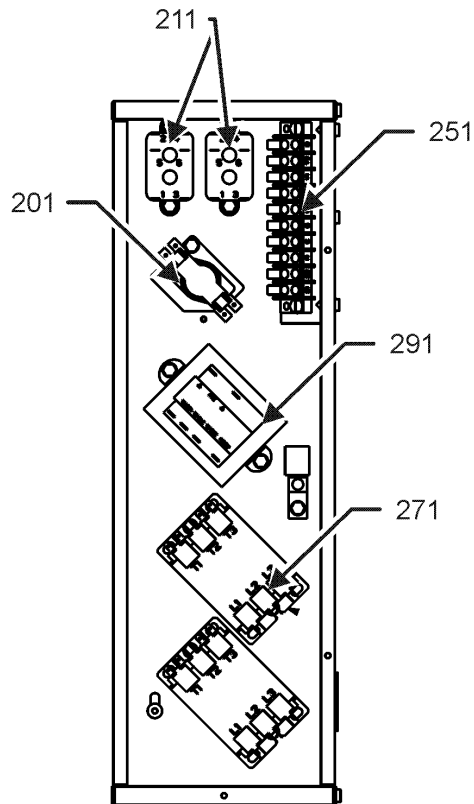
M1 - DAT09043AA
M2 - DAT09044AA
M3 - DAT12043AA
M4 - DAT12044AA

# Evaporator Coil and Control Panel Assy

## EVAPORATOR COIL ASSEMBLY



## CONTROL PANEL ASSEMBLY



# Evaporator Coil and Control Panel Assy

Ref. Part No: No:	Description:	Ref. Part No: No:	Description:
-------------------	--------------	-------------------	--------------

---

**Image 1:**

31	2145000F	FILTER SUPPORT TOP & BOTTOM (QTY 2)
41	2145001F	FILTER SUPPORT
51	0121A00499	COIL BLOCK-OFF RETURN SIDE
61	2179525F	COIL BLOCK-OFF HAIRPIN SIDE
71	0121A00500	COIL BRACE (QTY 2)
81	0202A00229	COIL/MANIFOLD ASSY
91	0151R00107	EXPANSION VALVE, NXT (QTY 2)
101	B3232207	DISTRIBUTOR (QTY 2)
201	B1256551	SEQUENCER 5 KW
211	10135604	RELAY (QTY 2)
251	0130M00240	TERMINAL BOARD
271	CONT3P025024V	CONTACTOR 25 AMP, 3P, 24V (QTY 2)
291	0130M00144	TRANSFORMER
NS	0259L00195	6 PIN FEMALE PLUG ASSY
NS	0160L00174	AIR FILTER 16 X 20 X 2 (QTY 2)
NS	0160L00136	Air Filter 20x20x2 (QTY 2)
NS	0163M00175	CAP W/O-RING (QTY 2)
NS	B1392016	OPEN/CLOSE BUSHING, 1.500

**Expanded Model Nomenclature**

M1 - DAT09043AA
M2 - DAT09044AA
M3 - DAT12043AA
M4 - DAT12044AA