



Submittal Data Sheet

Daikin Zoning Kit
DZK048E6-3

DESCRIPTION

The DZK increases the flexibility of Daikin VRV and Sky Air systems by adding a zoning damper box for independent temperature control from a single indoor unit.

Model	DZK048E6-3	
Description	Daikin Zoning Kit	
Damper Control	Flow Control System by Airzone	
Damper Size	6"	
Damper Quantity	6	
Insulation Value	R4	
Operating Range	32 to 122F (0 to 50C) 5% to 90% RH (non-condensing)	
Weight	23.32 lb (10.6 kg)	
Dimensions HxWxD	53.46 x 10.43 x 10.43 (1358 x 265 x 265 mm)	
Electrical	110/230VAC, 1Ø, 50/60Hz, 250mA	
Compatible Indoor Units	FXMQ30PBVJU FXMQ36PBVJU FXMQ48PBVJU FXMQ54PBVJU	FBQ36PVJU FBQ42PVJU

FEATURES

- Each zone is capable of:
 - Independent set point control
 - Set point range limitation
 - 7 day occupancy/usage scheduling
 - Local ventilation mode
 - Adjustable min/max zone opening position
- Option to link multiple outlets for larger zones
- Option to cap and close unused outlets
- Auto changeover logic including adjustable zone weighting
- Automatic control of fan speed based on each damper's demand
- Direct control integration to the Daikin indoor unit through the P1/P2 protocol
- Pre-assembled plenum box and simple bolt on design saves installation time
- Centralized zone control and monitoring when using DZK-BACNET-3

OPTIONAL THERMOSTATS & ACCESSORIES

- **DZK-MTS-3-W** – Wired Thermostat*
- **DZK-ZTS-3-W** – Wireless Thermostat
- **DZK-LTS-3-W** – Wireless Lite Thermostat
- **DZK-BACNET-3** – BACNET Interface

*Minimum (1) wired thermostat required



DZK048E6-3



DZK-MTS-3-W



DZK-ZTS-3-W

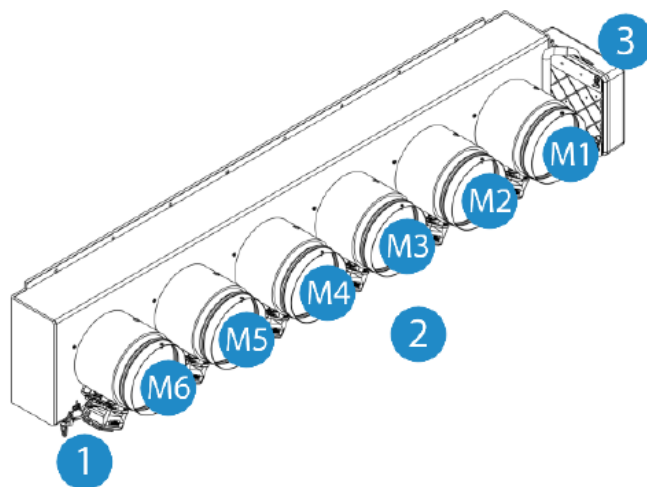
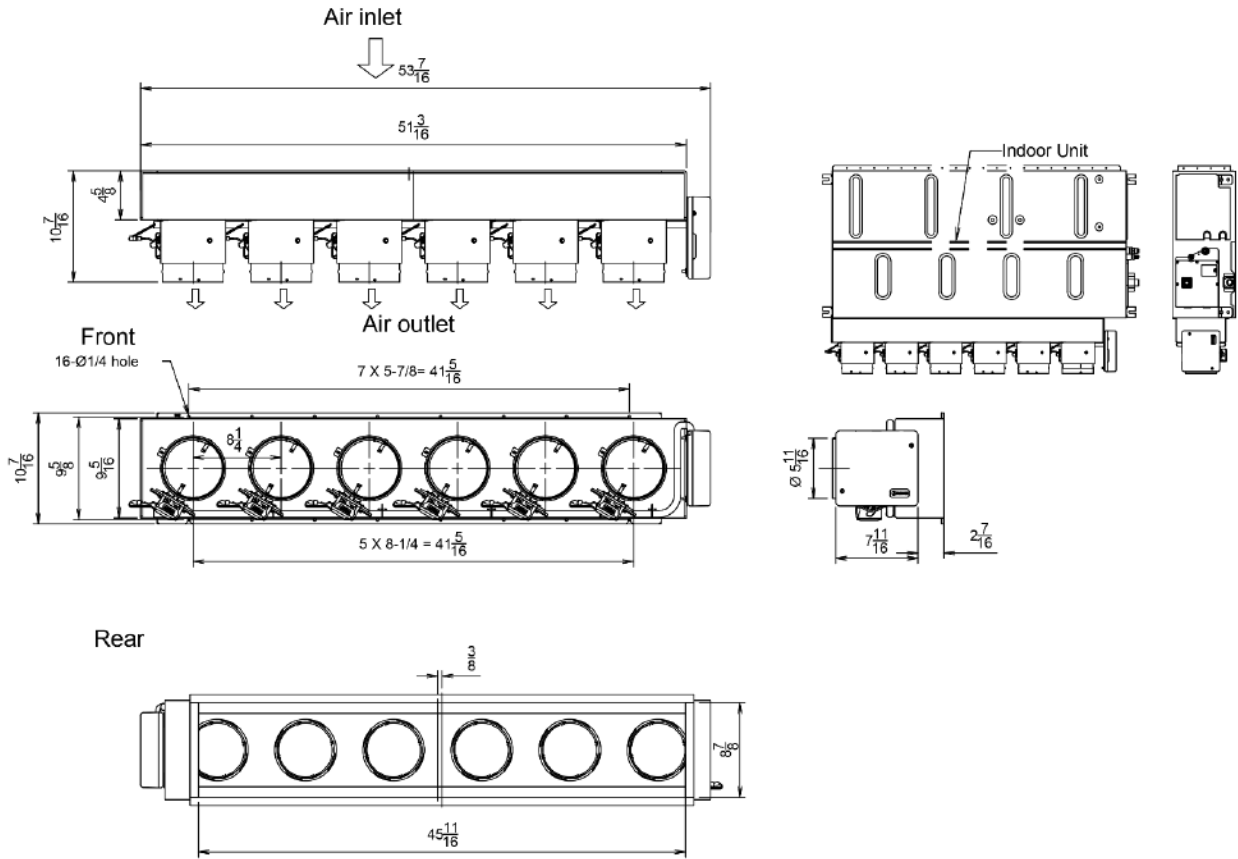


DZK-LTS-3-W

Submittal Data Sheet

Daikin Zoning Kit
DZK048E6-3

DIMENSIONAL DRAWING



Meaning	
1	Actuator
2	Damper
3	Main control board
M1... M6	Damper number from 1 to 6