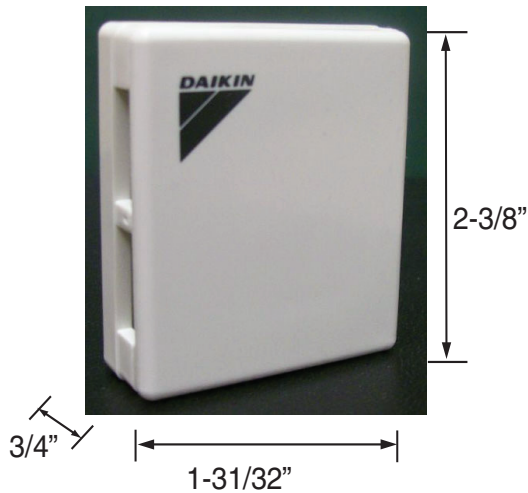


Remote Sensor KRCS01-1B

RECOMMENDATIONS FOR USE



- Recommended for ceiling suspended (FXHQ) and ceiling concealed types (FXDQ, FXMQ, FXSQ, FXFQ, FXZQ) which often reflect a difference between room temperatures and return air temperatures.
- Ducted style units in applications where outside air is being introduced or mixed at the unit's return-air opening.
- Ducted style units that are applied in an open return-air plenum environment.
- Applications where return air to the units is not substantially sourced from the area the unit is serving.
- Applications where high ceilings result in temperature stratification between the occupied zone and the unit's return-air opening.
- Where simplified remote controllers (BRC2A71) are utilized and return air to the unit is not sourced entirely from the area that the unit is serving.
- The sensor for detecting the temperature can be placed away from the indoor air conditioner. Branch wiring is included in the kit.

ITEM	MODEL KRCS01-1A
Length of branch wiring	39' 3/8"
Appearance	Light ivory (with Daikin logo)
Housing Material	ABS resin
Package weight	15.5 oz
Sensor box weight	1.1 oz
Sensor box dimensions HWD	2-3/8" x 1-31/32" x 3/4"

KIT APPLICATION

This kit can be used for all indoor units in the SkyAir series, and the VRV series.

KIT COMPONENTS

Remote Sensor



Extension Cable (39' 3/8" 2-conductor)



Accessory Bag



Round crimp terminals (Qty 2)

Double-sided tape (Qty 2)
Ties (Qty 2)

Sensor Box mounting screws (Qty 2) (M4 x 16)



Remove the cover from the sensor box using a flat screwdriver inserted into the slot in the sensor box and the cutout in the upper case.

NOTE: Under normal circumstances, do not remove the cover from the sensor box.

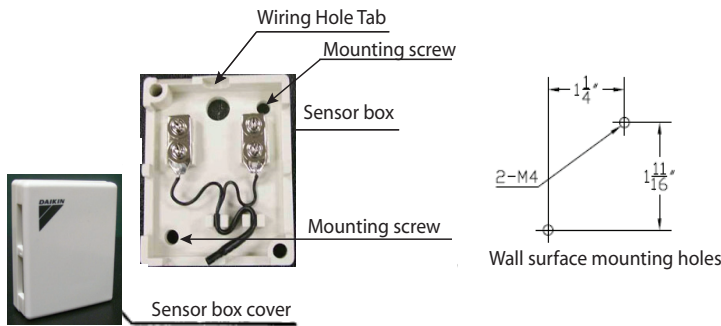
1. Install the extension cable so that it is not affected by nearby power cables or similar sources of noise. Noise may cause malfunction.
2. Make sure that wiring connections are correct and secure. Poor contact connections can result in incorrect temperature sensing.

MOUNTING

Select a mounting position carefully considering the following factors:

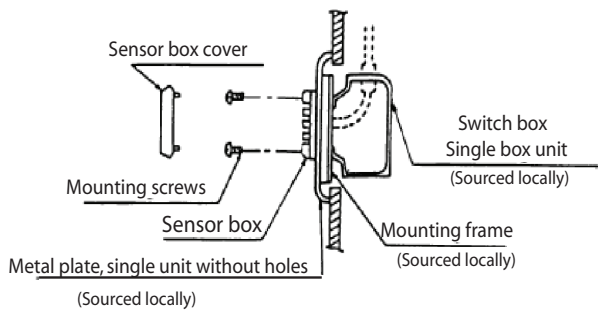
1. A location with the same average height as the room being air conditioned.
2. Out of direct sunlight.
3. Avoid a location where outlet air from the air conditioner is directed.
4. Avoid being near windows where incoming sunlight might affect the sensor.
5. Away from other heat sources.
6. Not directly exposed to a door that allows air in the room when opened.

SURFACE MOUNTING

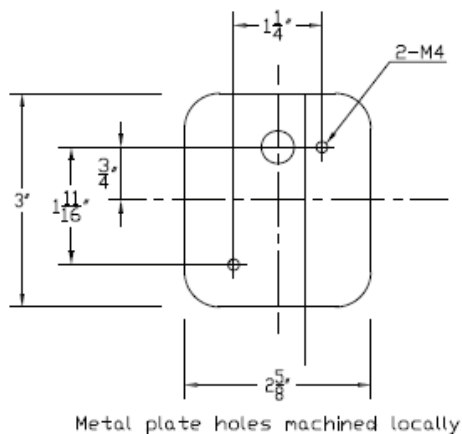


- Snap out the wiring hole tab using needle nose pliers or similar tool.
- Screw the sensor box securely to the wall surface.
- Wire to the electronic control unit in the indoor unit by first removing the existing thermistor (inlet air temperature sensor; normally connector X13A/R1T) and connecting the extension cable in its place. The existing thermistor is no longer required.

EMBEDDED WIRING



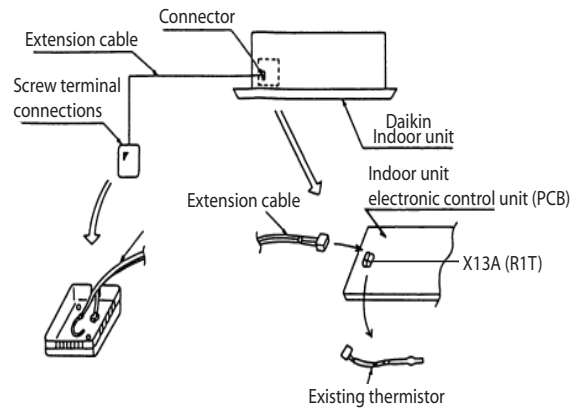
- Make sensor box mounting holes in a locally procured metal plate, as shown in the following figure. Screw the



- **WARNING:** Make sure not to cover any air holes in the sensor box.

WIRING GUIDE

Use the provided extension cable to connect the remote sensor to the electronic control unit (PCB) in the indoor unit.



1. Wire to the electronic control unit (main PCB) in the indoor unit by first removing the existing thermistor (inlet air temperature sensor connector X13A) and connecting the extension cable in its place. The existing thermistor is no longer required.
2. The position of the thermistor used for sensing the inlet air temperature is different according to the type of indoor unit. Check the wiring diagram for the indoor unit to make sure that you do not accidentally remove the wrong wiring.
3. In the indoor unit switchbox, use the same wiring clamps for the extension cable as are used for the existing thermistor.
4. If the extension cable is too long, cut it to the appropriate length, strip the coating, and fit the round crimp terminals provided. Do not cut the cable at the connector end.
5. Push the sensor box cover onto the sensor box.

OPERATION TEST AFTER MOUNTING THE SENSOR

Conduct operation tests of cooling and heating after mounting the sensor and completing the wiring.