



# Submittal Data Sheet

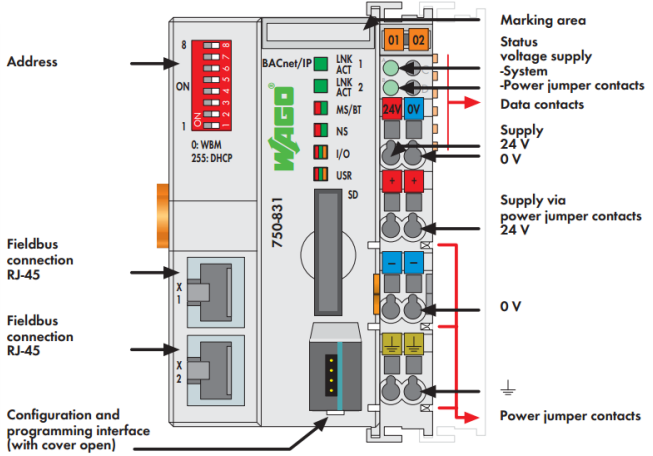
## 750-831 – WAGO BACnet/IP Controller

Project Name: \_\_\_\_\_  
 Location: \_\_\_\_\_  
 Engineer: \_\_\_\_\_  
 Submitted to: \_\_\_\_\_  
 Submitted by: \_\_\_\_\_  
 Reference: \_\_\_\_\_

Approval: \_\_\_\_\_  
 Date: \_\_\_\_\_  
 Construction: \_\_\_\_\_  
 Unit #: \_\_\_\_\_  
 Drawing #: \_\_\_\_\_

**Specifications:**

Model	750-831
Description	BACnet/IP Controller
BACnet device profile	B-BC
BACnet Version	1.7
Programming	Codesys V2.3
Network Wiring	10Base-T/100Base-TX
Communication Protocol	BACnet/IP
Power	24VDC (field supplied) (-25 to 30 %)
Input current rating	500 mA @ 24 VDC
Internal current consumption	450 mA @ 5VDC
Total current for I/O modules	1700 mA @ 5VDC
Data Memory	Data memory 1024 Kbytes
Non-volatile memory (retain)	28 Kbytes
Flash memory	4.5 Mbytes
Program memory	1024 Kbytes
Expandable memory	SD and SDHC up to 32 GB
Number of I/O modules	64 (up to 99 with bus extender)
Operating Temp Range	32 to 131°F (0 – 55°C)
Operating Humidity Range	95% or less (RH) (w/o condensation)
Dimensions (WxHxD)	2.44 x 2.66 x 3.94 in (62 x 65 x 100 mm)
Weight (Mass)	5.7 oz (161.8 g)
Certification(s)	BTL Certification
Maximum number of BACnet points	1000



Configuration and Engineering for each project is necessary

Daikin North America LLC, 5151 San Felipe Suite 500, Houston, TX 77056

Daikin North America LLC Controls Engineering Department Generated Submittal Data

[www.daikinac.com](http://www.daikinac.com)

(Daikin's products are subject to continuous improvements. Daikin reserves the right to modify product design, specifications and information in this data sheet without notice and without incurring any obligations)

# Submittal Data Sheet

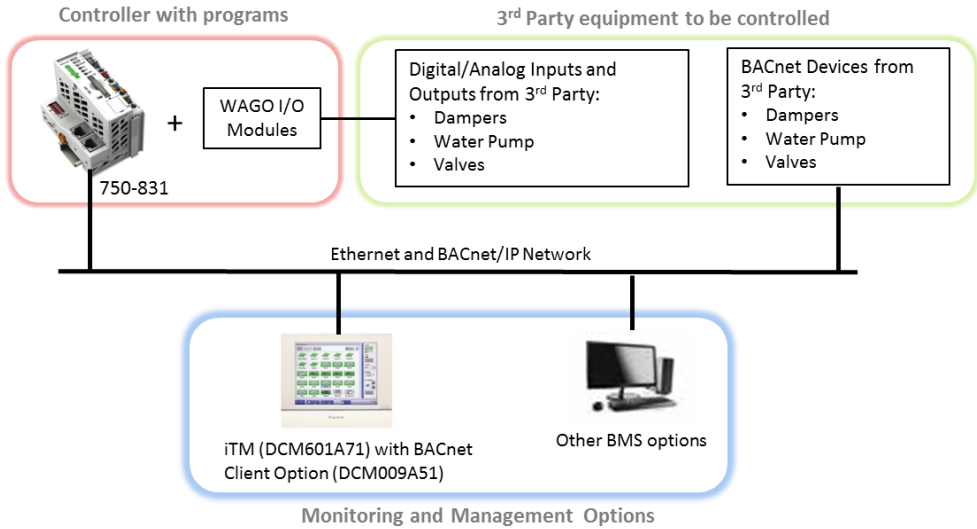
## 750-831 – WAGO BACnet/IP Controller

Project Name:	Approval:
Location:	Date:
Engineer:	Construction:
Submitted to:	Unit #:
Submitted by:	Drawing #:
Reference:	

**Features:**

- The 750-831 BACnet/IP Controller connects the WAGO-I/O-SYSTEM to the BACnet protocol. The 750-831 Controller supports the B-BC BACnet device profile according to DIN EN ISO 16484-5. It communicates with other BACnet devices via BACnet/IP. The controller provides the three following functionalities:
  - a) **Native server:** For each channel, appropriate BACnet objects are generated automatically for the digital/analog input and output modules that are connected to the controller.
  - b) **Application server:** Other supported BACnet objects can be created via IEC -61131-3 programming environment and made available to a BACnet network.
  - c) **Application client:** Using the client functionality, external equipment using BACnet objects and their properties can be accessed
- The two Ethernet interfaces permit and the integrated switch shall eliminate additional network devices, such as switches or hubs.
- The DIP switches configure the last byte of the IP address and may be used for IP address assignment.
- An integrated web server provides configuration options to the user while displaying the controller's status
- On-board LED's offer controller operation and error status.
- The programmable controller is multitasking-capable
- Features a battery-backed Real Time Clock (RTC).
- The 750-831 Controller has a slot for a removable memory card (SD card).(SD card not included)
- Start-up and configuration of the BACnet network is performed using the Windows-compliant WAGO BACnet Configurator.
- The Input and Output module configuration can be checked using the WAGO I/O Check USB Kit (759-302/000-923)

**Schematic:**



Daikin North America LLC, 5151 San Felipe Suite 500, Houston, TX 77056

(Daikin's products are subject to continuous improvements. Daikin reserves the right to modify product design, specifications and information in this data sheet without notice and without incurring any obligations)



# Submittal Data Sheet

750-831 – WAGO BACnet/IP Controller

Project Name: \_\_\_\_\_

Location: \_\_\_\_\_

Engineer: \_\_\_\_\_

Submitted to: \_\_\_\_\_

Submitted by: \_\_\_\_\_

Reference: \_\_\_\_\_

Approval: \_\_\_\_\_

Date: \_\_\_\_\_

Construction: \_\_\_\_\_

Unit #: \_\_\_\_\_

Drawing #: \_\_\_\_\_

## **Documentation:**

Documentation available on [www.daikincity.com](http://www.daikincity.com) or [www.daikinac.com](http://www.daikinac.com)

1. Submittal
2. Sales Bulletin
3. Installation Manual
4. Guide Specifications

## **Notes:**

- The interface does not contain any programming; any required programming should be installed in the controller before installing on site.
- Contact Daikin controls department for all programming.
- The WAGO BACnet/IP Controller should be used in a class C network.

Daikin North America LLC, 5151 San Felipe Suite 500, Houston, TX 77056

Daikin North America LLC Controls Engineering Department Generated Submittal Data

[www.daikinac.com](http://www.daikinac.com)

(Daikin's products are subject to continuous improvements. Daikin reserves the right to modify product design, specifications and information in this data sheet without notice and without incurring any obligations)