

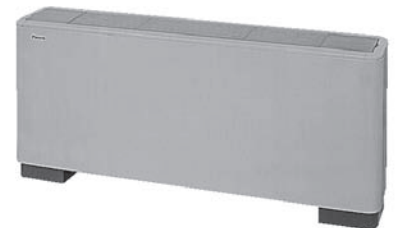
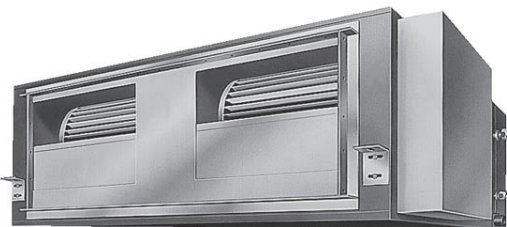
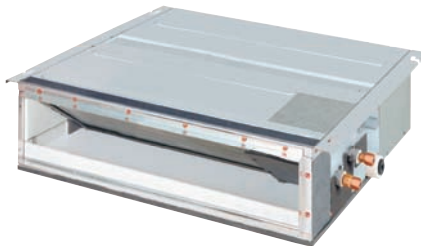
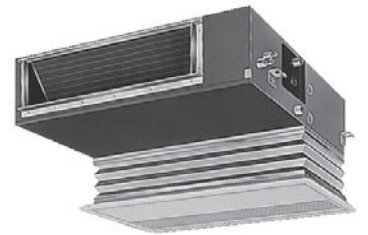


OHUS08-1FCU_b

R-410A

Option Handbook

VRV Systems Indoor Fan Coil Units



DAIKIN AC (AMERICAS), INC.

OHUS08-1FCU_b

Options Handbook

Indoor Units

1. FXFQ - 3'x3' Ceiling Mounted Cassette Type (Multi Flow) -	3
1.1 BYC125K-W19 — Decoration Panel	3
1.2 KDBP55H160WA — Panel Spacer	7
1.3 KDDP55D160(K) — Fresh Air Intake Kit	9
1.4 KAFP552H80·160, KAFP553H80·160 — Replacement High Efficiency Filter ...	19
1.5 KAFP55D160 — Ultra Long Life Filter Kit (including filter chamber)	20
1.6 KAFJ55K160H — Replacement UltraLong-Life Filter Unit	22
1.7 KDDFP55D160 — Filter Chamber	23
1.8 KAFJ551K160 — Replacement Long Life Filter	25
1.9 KDBHJ55K160 — Sealing Member of Air Discharge Kit	26
1.10 KK5J55160 — Chamber Connector Kit	28
2. FXZQ - 2'x2' Ceiling Mounted Cassette Type (Multi Flow) -	29
2.1 BYFQ60B8W1U — Decoration Panel	29
2.2 KDBHQ44B60 — Sealing Member of Air Discharge Outlet	32
2.3 KDBQ44B60A — Panel Spacer	35
2.4 KAFQ441B60 — Replacement Long-Life Filter	38
2.5 KDDQ44X60 — Fresh Air Intake Kit (Direct Installation Type)	39
3. FXDQ - Slim Ceiling Mounted Duct Type -	41
3.1 KDT25N32·50·63 — Installation Kit for High Humidity	41
4. FXSQ - Ceiling Mounted Built-In Type -	42
4.1 BYBS32·45·71·125DJW1 — Decoration panel	42
4.2 KTBK25K36·56·80·160W — Service Access Panel	46
4.3 KAFJ252L36·56·80·160 / KAFJ253L36·56·80·160 — High-Efficiency Filter	47
4.4 KAFJ251K36·56·80·160 — Replacement Long-Life Filter	50
4.5 KAJ25L36·56·80·160D — Filter Chamber for Bottom Suction	51
4.6 KAJ25L36·56·80·160B — Filter Chamber for Rear Suction	52
4.7 KSA-25K36·56·80·160 — Canvas Duct (Air Suction Canvas)	55
4.8 KBBJ25K36·56·80·160 — Screening Door	56
4.9 KDJ2507K36·56·80·160 — Air Suction Flange (Rear Return)	57
4.10 KDAJ25K36·56·71·140 — Air Discharge Adaptor	58

5. FXMQ - Ceiling Mounted Duct Type -	59
5.1 KAFP372A80.160 / KAFP373A80.160 — High-Efficiency Filter	59
5.2 KDDFP37A80.160 — Filter Chamber	63
5.3 KAFP371A80.160 — Long-Life Replacement Filter	66
6. FXHQ - Ceiling Suspended Type -	67
6.1 KAFJ501D56.112.160 — Replacement Long-Life Filter	67
7. FXLQ / (FXNQ) - (Concealed) Floor Standing -	68
7.1 KAFJ361K45.71 — Long Life Replacement Filter	68
8. Remote Sensor	69

1.FXFQ

- 3'x 3' Ceiling Mounted Cassette Type (Multi Flow) -

1.1 BYC125K-W19 — Decoration Panel

BEFORE INSTALLATION

PRECAUTIONS

- Refer also to the installation manual attached to the indoor unit.

ACCESSORIES

- Installation manual

NOTE TO INSTALLER

Be sure to instruct the customer how to properly operate the system showing him/her the attached operation manual.

PREPARATION OF DECORATION PANEL

⟨⟨ For this unit, you are able to select air flow directions. To discharge air in 2 or 3 directions, it is necessary to purchase optional blocking pad kit. ⟩⟩

HANDLING OF DECORATION PANELS

- Never place the panel facing down, leaning against a wall, or upon a projecting object.
- Never touch or put pressure on the louver or it may malfunction.

(1) Remove the suction grille from the decoration panel.

- ① Push the suction grille lever inward and lift up the lever side. (Refer to Fig. 1)
- ② Detach the suction grille from the decoration panel by lifting the grille up approximately 45 degrees. (Refer to Fig. 2)

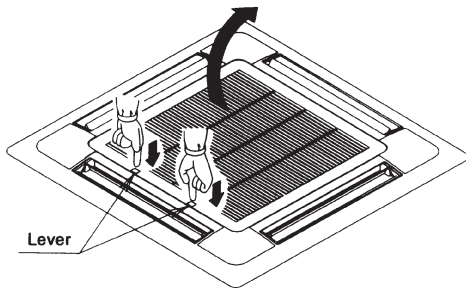


Fig. 1

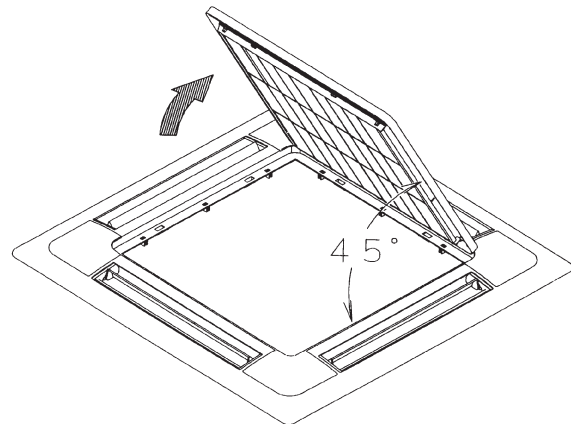


Fig. 2

(2) Remove the service cover on the corner.

Slide the service cover outward to remove.
(Refer to Fig. 3)

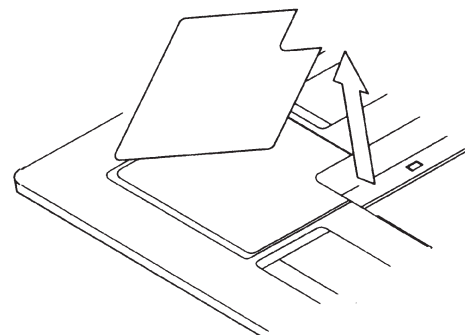


Fig. 3

INSTALLATION OF THE DECORATION PANEL TO THE INDOOR UNIT BODY

Refer to the Installation Manual attached to the indoor unit for installation instructions.

- (1) Set the decoration panel to the indoor unit body by matching the position of the louver motor of the decoration panel to the piping position of the indoor unit, as shown in Figure 4.
- (2) Install the decoration panel:
 - ① Temporarily install the decoration panel to the indoor unit by hanging the latch on the opposite side of the louver motor of the decoration panel to the hook of the indoor unit body. (2 positions)
 - ② Temporarily hang the remaining 2 latches to the hooks on the sides of the indoor unit.
Be careful not to let the louver motor lead wire get caught in the sealing material.
 - ③ Screw all 4 hex head screws (located directly beneath the latches) in approximately 3/16". Panel will rise.
 - ④ Adjust the decoration panel by turning it to the arrowed direction in Fig. 4 so that the ceiling opening is completely covered.
 - ⑤ Tighten the screws until the thickness of the sealing material between the decoration panel and the indoor unit body reduces to 3/16-5/16 inches.

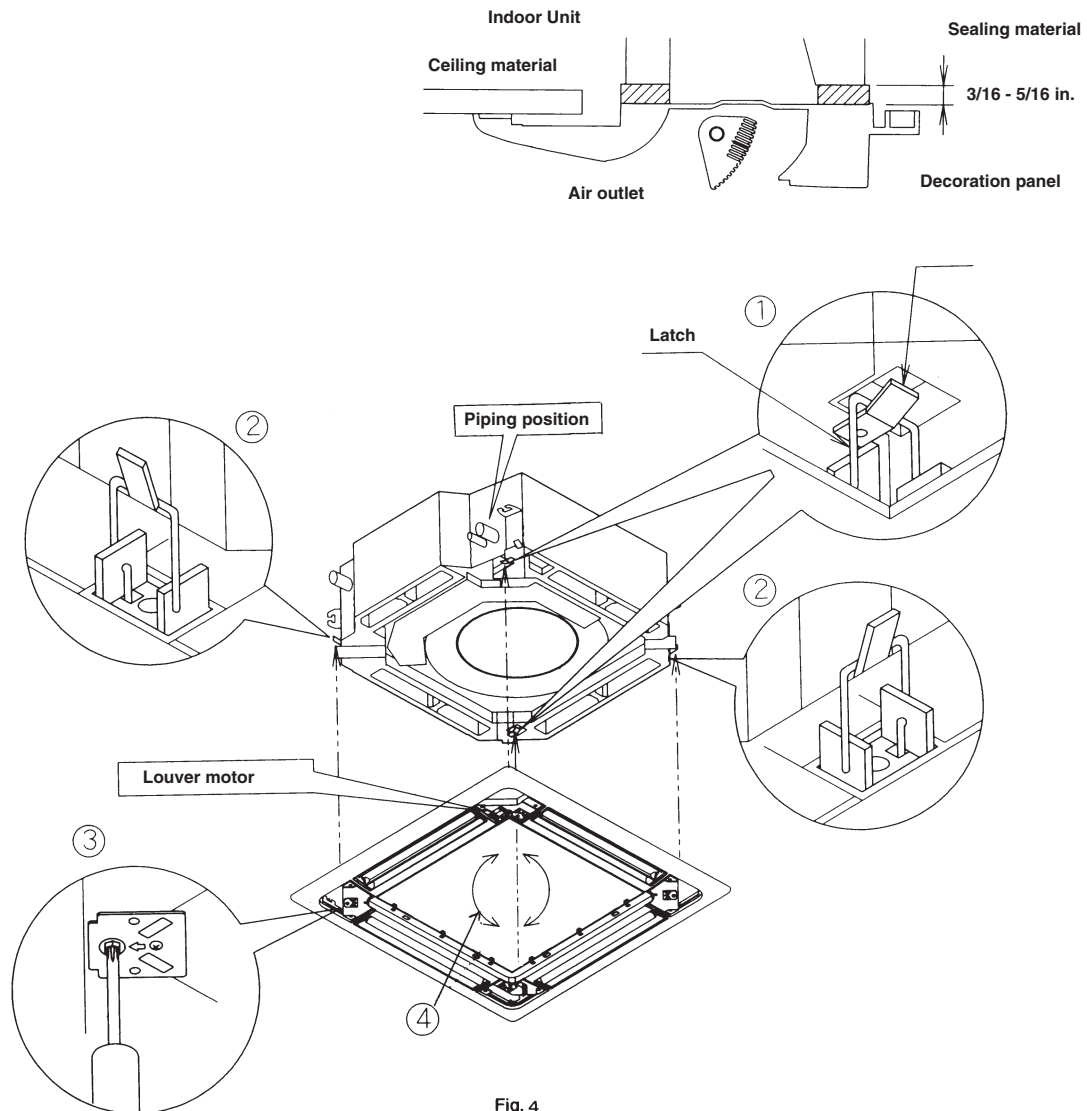


Fig. 4

PRECAUTIONS

- Tighten screws properly to prevent problems shown in Figure 5.

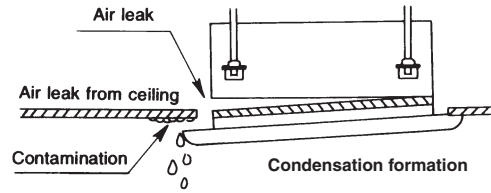


Fig. 5

- If gap is still left between the ceiling and the decoration panel after screwing the screws, readjust the indoor unit body height. (Refer to Fig. 6)

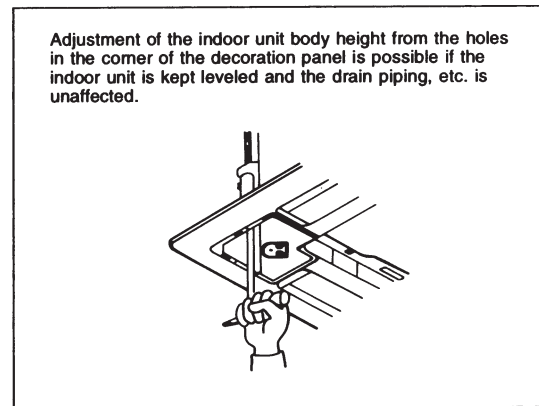
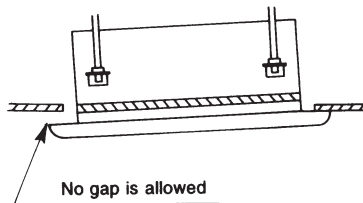


Fig. 6

(3) Wiring of the decoration panel (Refer to Fig. 7)

- ⑥ Connect the connectors for the louver motor lead wire installed on the decoration panel.

If connectors are not connected, the malfunction display (A7) appears on the remote controller. Connect the connectors properly.

Make sure that the louver motor lead wire is not caught between the indoor unit and the decoration panel.

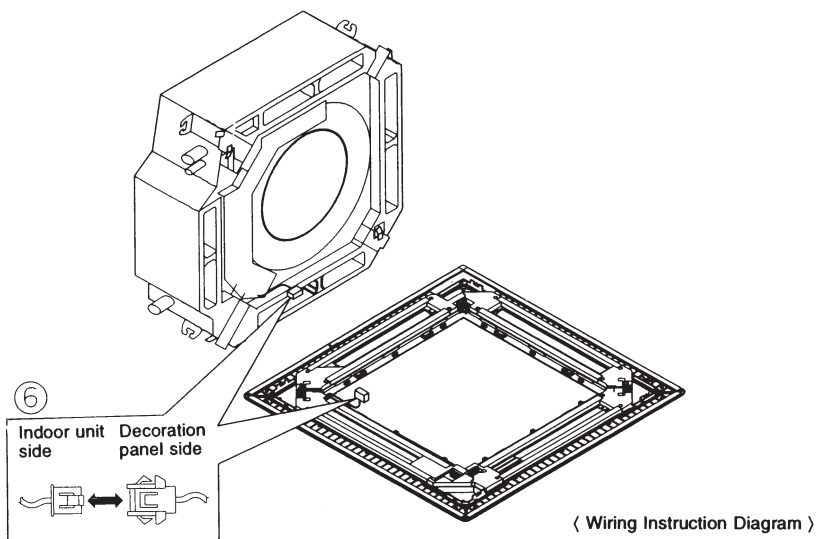


Fig. 7

INSTALLATION OF SUCTION GRILLE AND SERVICE COVER

1. Installing the Suction Grille:

Install by reversing the procedure shown in PREPARATION OF DECORATION PANEL.
The suction grille can be installed in any orientation needed.

Note:

Be careful not to get the louver motor lead wire caught when installing the suction grille.

2. Installing the Service Cover:

Attach the string of the service cover to the pin of the decoration panel as shown in Figure 8.

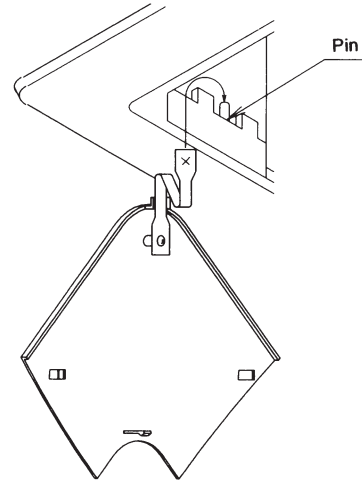
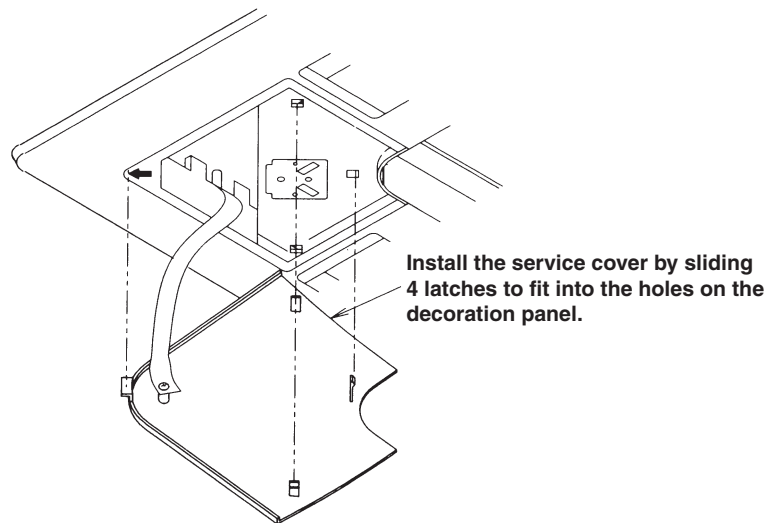


Fig. 8

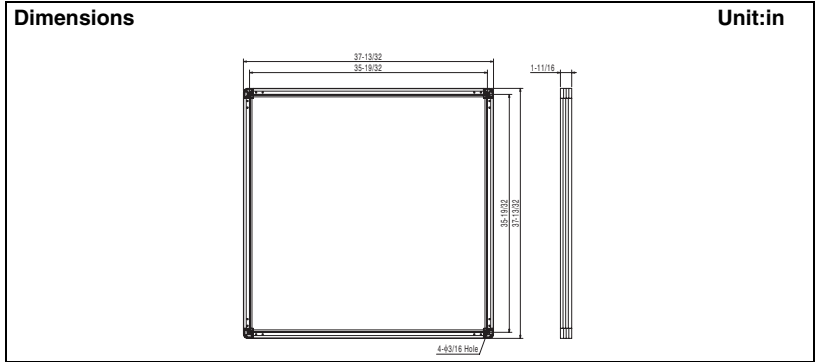
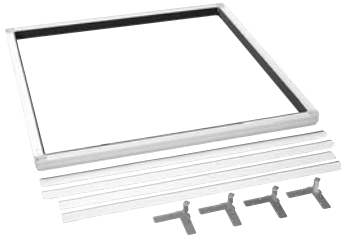
(B0231)

Install the service cover over the decoration panel.



(B0232)

1.2 KDBP55H160WA — Panel Spacer



Combination table

Panel spacer	KDBP55H160FA	KDBP55H160WA KDB55K160WA
Decoration panel	BYCP125K-W1	BYCP125D-W1 BYC125K-W19 BYC125KJ-W1

Caution

- When the Panel Spacer is installed, it is not possible to have 2-way air outlet.
- Refer to the installation manual for both indoor unit and the Panel spacer for its installation.

Contents of kit

Check if following parts are included with your kit,

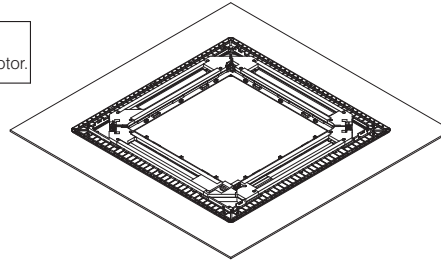
Name	Panel spacer frame	Resin corner part	Fixing metal	Screw
Quantity	4 PCS,	4 PCS,	4 PCS,	28 PCS,
Shape - number	①	②	③	④ M4×10 Tapping screw (Class 2)
Name	Sealing material		Caution label	
Quantity	2 PCS,	2 PCS,	1 PC,	
Shape - number	⑤	⑥	⑦	

1 Preparation of the Decoration panel

- Handle the decoration panel with care,

Never place the panel face down, against the wall, or on a projecting object as it may cause dents and damages the louver motor.

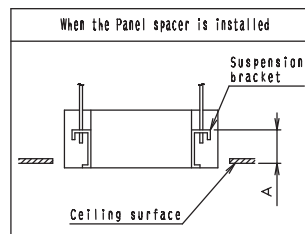
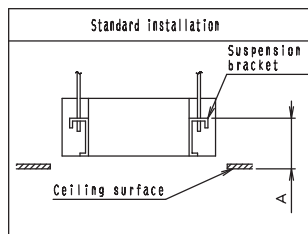
- (1) Remove the suction grill from the decoration panel.
(Refer to the installation manual of the decoration panel how to remove.)
- (2) Place the panel face down on the corrugated board or the vinyl sheet to protect the surface of the panel.



2 Installation of the indoor unit

Adjust the height of the indoor unit.

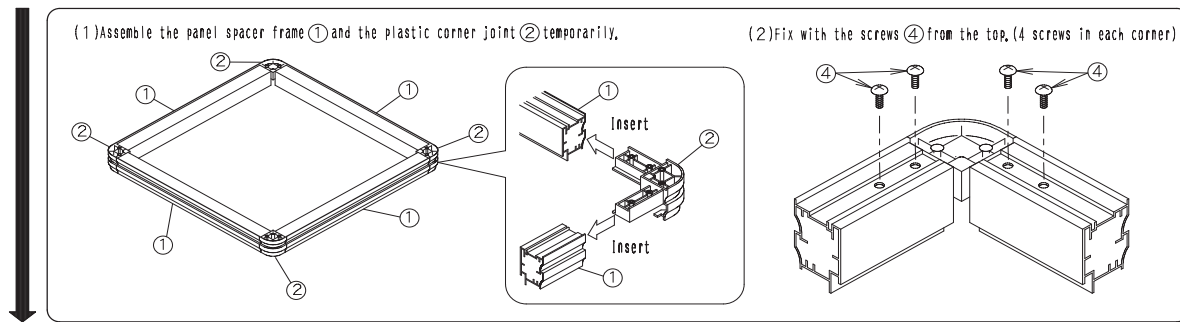
Be sure the piping will not contact with the ceiling joist etc, after adjusting the height.



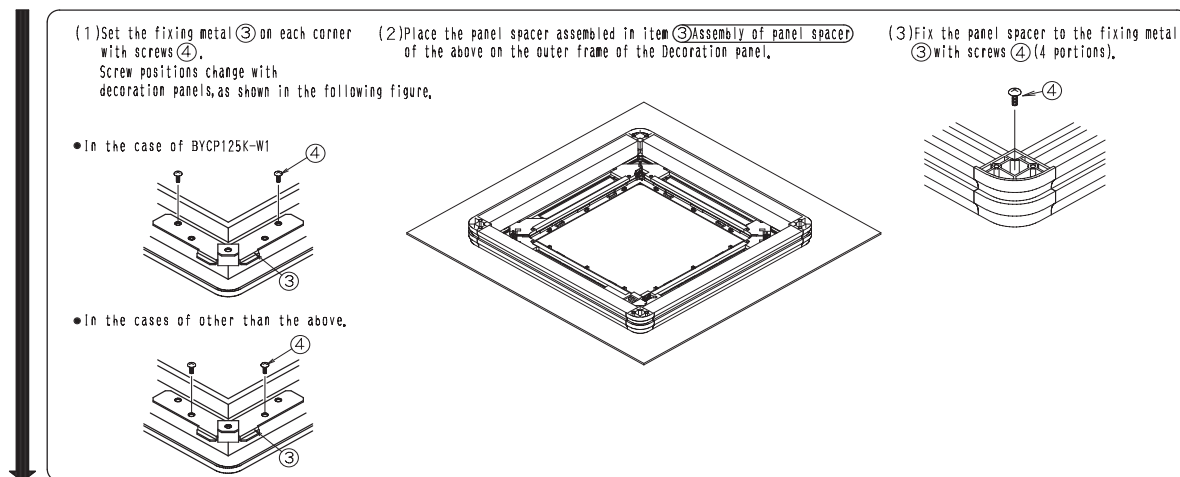
Decoration panel	A[in]
BYCP125D-W1 BYC125K-W19 BYC125KJ-W1	5-23/32-5-29/32
BYCP125K-W1	4-29/32-5-1/8

Decoration panel	A[in]
BYCP125D-W1 BYC125K-W19 BYC125KJ-W1	4-1/8-11/32
BYCP125K-W1	3-11/32-3-17/32

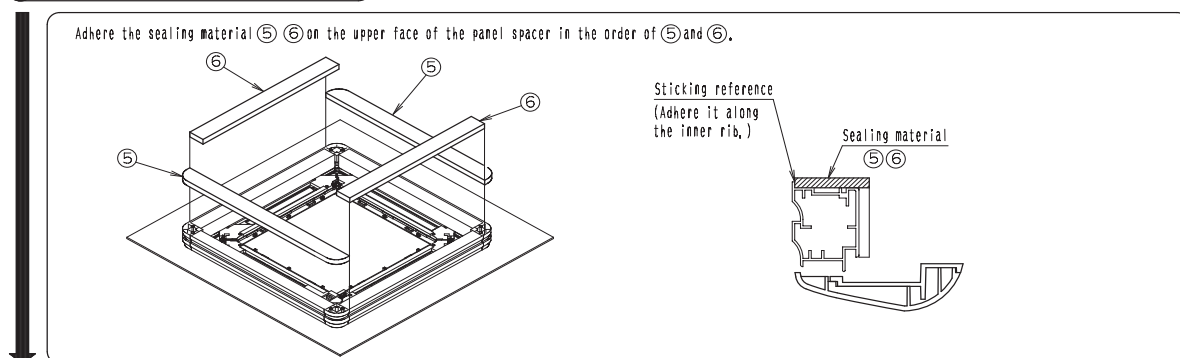
3 Assembly of panel spacer



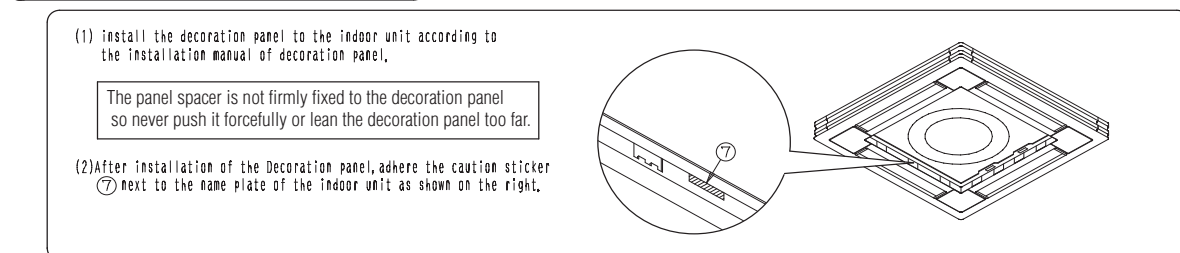
4 Fixing to the Decoration panel



5 Adhesion of the sealing material



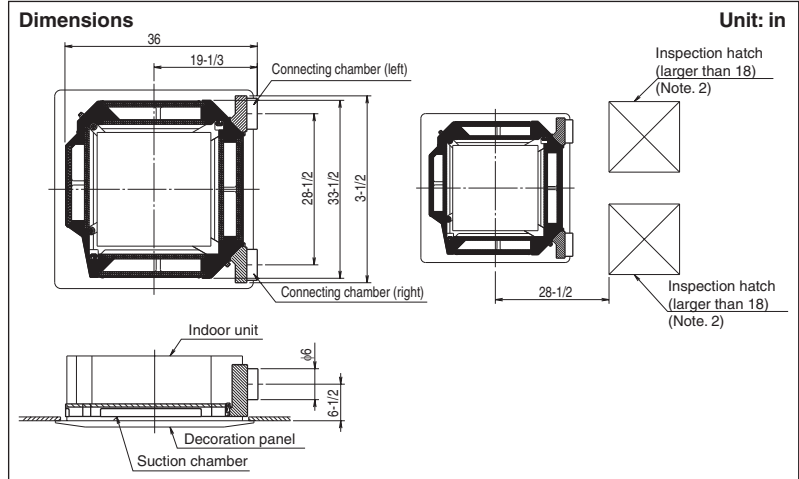
6 Installation of the Decoration panel



1P136564E

1.3 KDDP55D160(K) — Fresh Air Intake Kit

KDDP55D160 (without T-shape, without Fan)



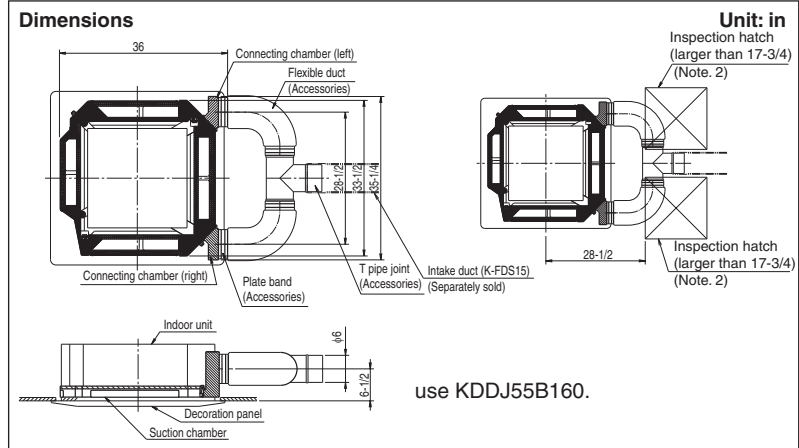
Caution

1. An inspection hatch is required when inserting this kit (required for maintenance of the kit).
2. Mount one or the other of the inspection hatch.
3. This should be assembled locally. This kit is designed for intake from both sides. If one side is blocked, requiring intake from only one side, use KDDJ55B160.
4. If the wireless receiver unit for the remote controller is mounted to the main unit, air should be taken in from the right side.

Item	Model	KDDP55D160
Fresh air intake method		Fresh air intake by air conditioning fan.
Diameter of connection duct		φ6
Accessories		T pipe joint: 1, Flexible duct: 2, Plate bands: 4, Mounting screws (M4×12) : 4, Installation manual
Mass (Lbs)		11.25

Model	Component	
	Suction chamber	Connecting chamber · Tpipe
KDDP55D160	KDDP55D160-1	KDDJ55B160-2

KDDP55D160K (with T-shape, without Fan)



Caution

1. Maximum length of the duct is 13 feet.
2. An inspection hatch is required when inserting this kit. (Required for maintenance of the kit.)
3. Mount one or the other of the inspection hatch.
4. This should be assembled locally. This kit is designed for intake from both sides. If one side is blocked requiring intake from only one side, use KDDJ55B160.
5. This kit cannot be used when the receiver for the wireless remote control is attached as it blocks intake from one side.

Item	Model	KDDP55D160K
Fresh air intake method		Fresh air intake by air conditioning fan.
Diameter of connection duct		φ6
Accessories		T pipe joint: 1, Flexible duct: 2, Plate bands: 4, Mounting screws (M4×12) : 4, Installation manual
Mass (Lbs)		16

Model	Component	
	Suction chamber	Connecting chamber · Tpipe
KDDP55D160K	KDDP55D160-1	KDDJ55B160K2

Caution Before starting the installation work, carefully read the following, safety precautions and observe them to ensure safety during work.


- Make sure to use the attached or specified components to install the products, or the product may fall or have air leaks.
- Perform a trial operation after installation to ensure there is no abnormality.

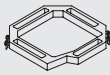
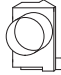
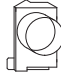

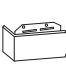
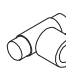



REMARKS

- This kit can be installed to the Ceiling Mounted Cassette Type Air Conditioner (Multi-flow).
- Before installation, make note of the indoor unit number.
- Refer to the installation manuals for instructions for the indoor unit and the decoration panel.

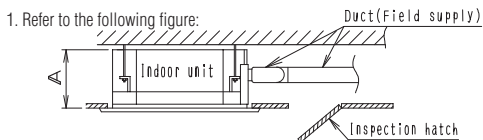
Combination table

Kit Name	Applicable indoor unit model	
KDDP55D160	VRV	FXFQ12-18-24-30-36MVJU
KDDP55D160K		SkyAir FCQ24-42MVJU

Components Check if the following parts are included with your kit. Shaded part  is separately packed.

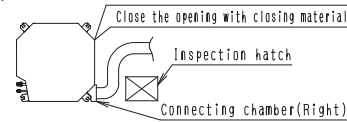
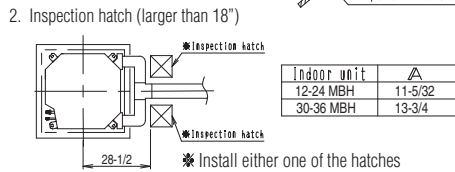
Name	① Suction Chamber	② Connecting Chamber (Right)	③ Connecting Chamber (Left)	④ Screw	⑤ Closing Material	⑥ T Joint	⑦ Flexible Duct	⑧ Clamp	⑨ Installation Manual
Shape									
Q'ty	1 PC.	1 PC.	1 PC.	4 PCS.	1 PC.	—	—	—	1 PC.
ty	KDDP55D160K	1 PC.	1 PC.	4 PCS.	—	1 PC.	2 PCS.	4 PCS.	1 PC.

1 Selection of Location and Access Door



In case of KDDP55D160

- When the intake from both sides cannot be obtained due to an obstacle, one side intake is acceptable. (In this case, make sure to close the opening with the closing material (5).)
- In case of one-side intake, the noise will be larger than intake from both sides. Example of one-side intake:



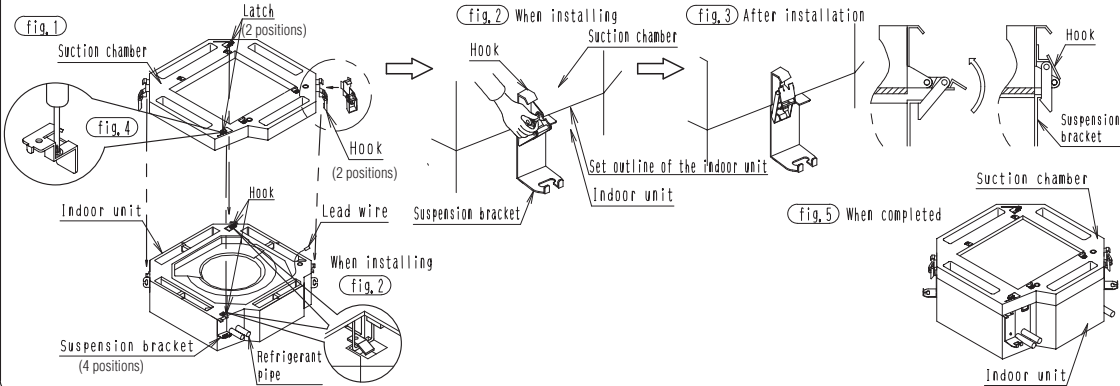
* When installing the wireless receiver kit on the indoor unit, the duct must be led from the right side, as shown. In this case, use KDDP55D160.

2 Installation of the Suction chamber

- Remove the decoration panel (not required for new installation).
 - Remove the decoration panel in the reverse step when the panel is installed. Refer to the Installation manual of the decoration panel for details.
- Temporarily install the suction chamber to the indoor unit by hanging the latch on the opposite side of the suction chamber to the hook of the indoor unit body. (2 positions). Temporarily hang the remaining 2 hooks of the suction chamber to the hooks on the sides of the indoor unit. (fig.1) ~ (fig.3)

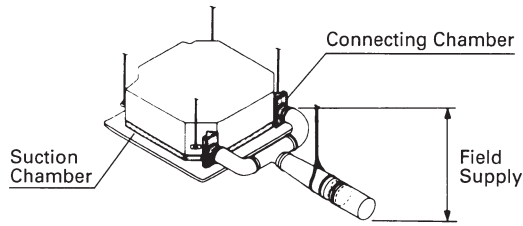
When the indoor unit is already installed, temporarily hang the hook to the suspension bracket and fix the hook.

* Installation set outline of the indoor unit: (fig.2)
- Tighten 2 hexagon screws located beneath the latches until the thickness of the sealing material of chamber reduces to 1/5 to 1/3". (fig.4) (fig.5)



3K011144-1A

• KDDP55D160 Without T Joint

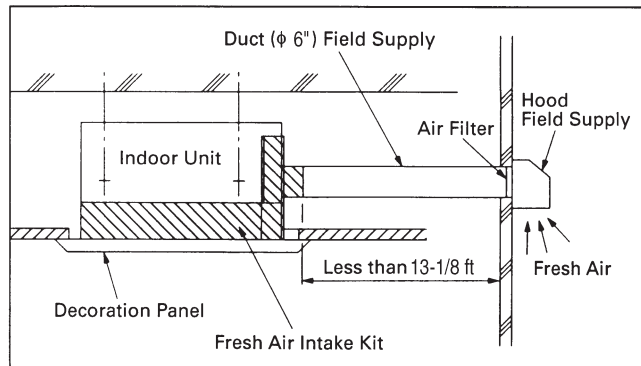


- Note:
1. The Fresh Air Intake components, (including the duct, T-Joint, Air Filter, and Hood), is field supplied.
 2. When the fresh air duct is over 13 feet, a field-supplied duct fan is required.
 3. When using the wireless remote controller, the flexible duct cannot be connected in the same right hand position.

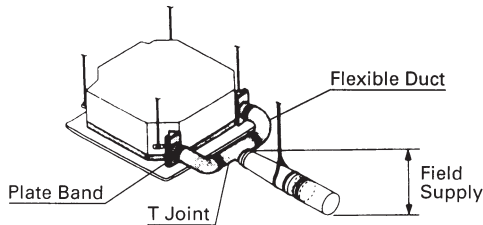
• Specifications

Kit Name	KDDP55D160
Method of Fresh Air Intake	Fresh Air Intake by The Indoor Unit Fan
Size of Connecting Duct	φ 6"
Applicable Models	For Indoor Unit

• Example of Installation



• KDDP55D160K-Attached T Joint

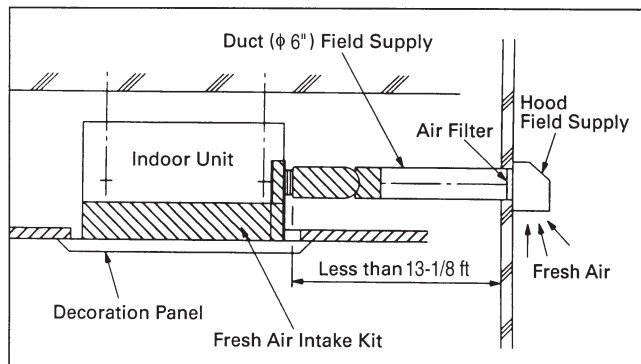


- Note:
1. The Fresh Air Intake Kit, (including the duct, T-joint, Air Filter and hood), is field supplied.
 2. When the fresh air duct is over 13 feet, a field-supplied duct fan is required.
 3. The wireless remote controller and field-supplied duct fan cannot be used simultaneously.

• Specifications

Kit Name	KDDP55D160K
Method of Fresh Air Intake	Fresh Air Intake by The Indoor Unit Fan
Size of Connecting Duct	φ 6"
Applicable Models	For Indoor Unit

• Example of Installation



(B0418)

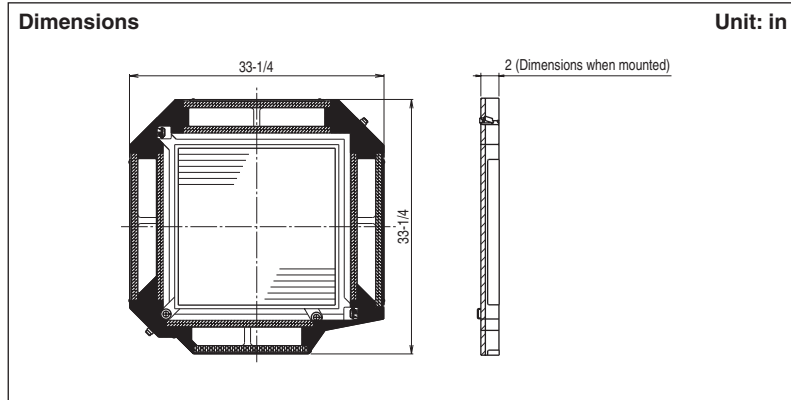
1.4 KAFP556D80-160, KAFP557D80-160 — High Efficiency Filter Kit (including filter chamber)

KAFP556D80






Caution

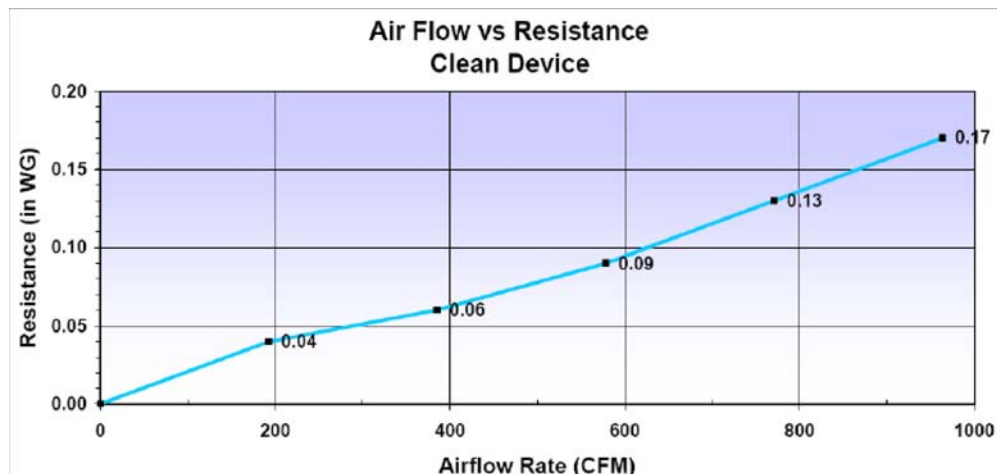
Field setting by remote controller is necessary when the high efficiency filter is installed.

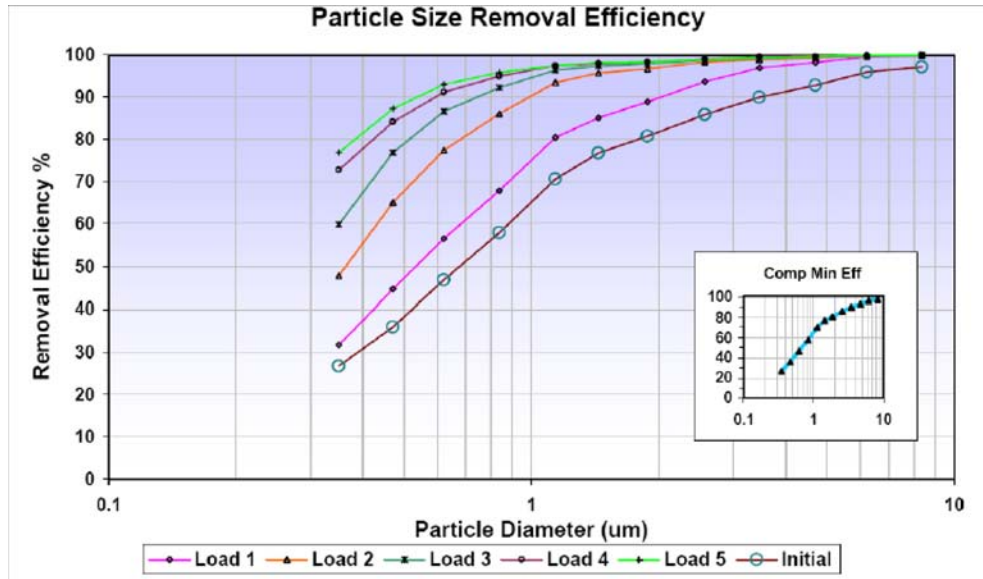


Item \ Model	KAFP556D80	KAFP556D160	KAFP557D80	KAFP557D160
Air flow rate CFM	671	1236	671	1236
Collecting Efficiency (%)	65% (NBS Colorimetric method)		MERV-11	MERV-12
Initial pressure loss (Wg)	0.14 or less			
Final pressure loss (Wg)	0.39 or less			
Filter	Non-woven fabric of synthetic fiber		Non-woven fabric of synthetic fiber	
Life (h)	2,500 h (Dust Concentration 0.15 mg/m ³)		1,800 h (Dust Concentration 0.15 mg/m ³)	
Accessories	Installation manual			
Mass (Lbs)	9.6	11.25	9.6	11.25
Applicable Models	FXFQ12,18,24 MVJU	FXFQ30,36MVJU FCQ24,30,36,42 MVJU	FXFQ12,18,24 MVJU	FXFQ30,36MVJU FCQ24,30,36,42 MVJU
Replacement filter (optional accessories)	KAFP552H80	KAFP552H160	KAFP553H80	KAFP553H160

* For the applicable ASHRAE 52.2 MERV ratings, refer to the following 4 pages.

 <p>2020 S. English Station Road - Louisville, KY 40269 Tel: (502) 357-0132 Fax: (502) 267-8379</p>	Date: 4-Dec-07 TEST NO. 07-1244																	
	ASHRAE Standard 52.2-2007 TEST REPORT																	
Filter Description <table border="0" style="width: 100%;"> <tr> <td style="width: 50%;"> Manufacturer Filter Model Part Number Generic Filter Type Nominal Dimensions (H x W x D) Pocket / Pleat Quantity Media Type Est. Gross Media Area Adhesive Type </td> <td style="width: 50%; vertical-align: top;"> Daikin FXFQ12-24MVJU KAFP553H80 ESN5P-F 21.25"x21.25"x1" 127 Pleats Standard Standard N A </td> </tr> </table>			Manufacturer Filter Model Part Number Generic Filter Type Nominal Dimensions (H x W x D) Pocket / Pleat Quantity Media Type Est. Gross Media Area Adhesive Type	Daikin FXFQ12-24MVJU KAFP553H80 ESN5P-F 21.25"x21.25"x1" 127 Pleats Standard Standard N A														
Manufacturer Filter Model Part Number Generic Filter Type Nominal Dimensions (H x W x D) Pocket / Pleat Quantity Media Type Est. Gross Media Area Adhesive Type	Daikin FXFQ12-24MVJU KAFP553H80 ESN5P-F 21.25"x21.25"x1" 127 Pleats Standard Standard N A																	
																		
Test Conditions <table border="0" style="width: 100%;"> <tr> <td style="width: 33%;">Loading Dust Type</td> <td style="width: 33%;">ASHRAE</td> <td style="width: 33%;">Test Air Temp (degrees F.)</td> <td style="width: 15%;">68</td> </tr> <tr> <td>Barometric Pressure (In. Hg.)</td> <td>29.43</td> <td>Relative Humidity (%)</td> <td>22</td> </tr> </table>			Loading Dust Type	ASHRAE	Test Air Temp (degrees F.)	68	Barometric Pressure (In. Hg.)	29.43	Relative Humidity (%)	22								
Loading Dust Type	ASHRAE	Test Air Temp (degrees F.)	68															
Barometric Pressure (In. Hg.)	29.43	Relative Humidity (%)	22															
Test Results <table border="0" style="width: 100%;"> <tr> <td style="width: 70%;">Airflow Rate (CFM)</td> <td style="width: 30%;">771</td> </tr> <tr> <td>Nominal Face Velocity (fpm)</td> <td>246</td> </tr> <tr> <td>Initial Resistance (in WG)</td> <td>0.13</td> </tr> <tr> <td>Final Resistance (in WG)</td> <td>1.00</td> </tr> <tr> <td>E1 (%) Composite Minimum Avg. Efficiency 0.30 - 1.0 um</td> <td>42</td> </tr> <tr> <td>E2 (%) Composite Minimum Avg. Efficiency 1.0 - 3.0 um</td> <td>78</td> </tr> <tr> <td>E3 (%) Composite Minimum Avg. Efficiency 3.0 - 10.0 um</td> <td>94</td> </tr> <tr> <td>Minimum Efficiency Reporting Value (MERV)</td> <td>MERV 11 @ 771 CFM</td> </tr> </table>			Airflow Rate (CFM)	771	Nominal Face Velocity (fpm)	246	Initial Resistance (in WG)	0.13	Final Resistance (in WG)	1.00	E1 (%) Composite Minimum Avg. Efficiency 0.30 - 1.0 um	42	E2 (%) Composite Minimum Avg. Efficiency 1.0 - 3.0 um	78	E3 (%) Composite Minimum Avg. Efficiency 3.0 - 10.0 um	94	Minimum Efficiency Reporting Value (MERV)	MERV 11 @ 771 CFM
Airflow Rate (CFM)	771																	
Nominal Face Velocity (fpm)	246																	
Initial Resistance (in WG)	0.13																	
Final Resistance (in WG)	1.00																	
E1 (%) Composite Minimum Avg. Efficiency 0.30 - 1.0 um	42																	
E2 (%) Composite Minimum Avg. Efficiency 1.0 - 3.0 um	78																	
E3 (%) Composite Minimum Avg. Efficiency 3.0 - 10.0 um	94																	
Minimum Efficiency Reporting Value (MERV)	MERV 11 @ 771 CFM																	
Comments Tested For: AAF International Dust Fed (gms) to Final Resistance: 46																		








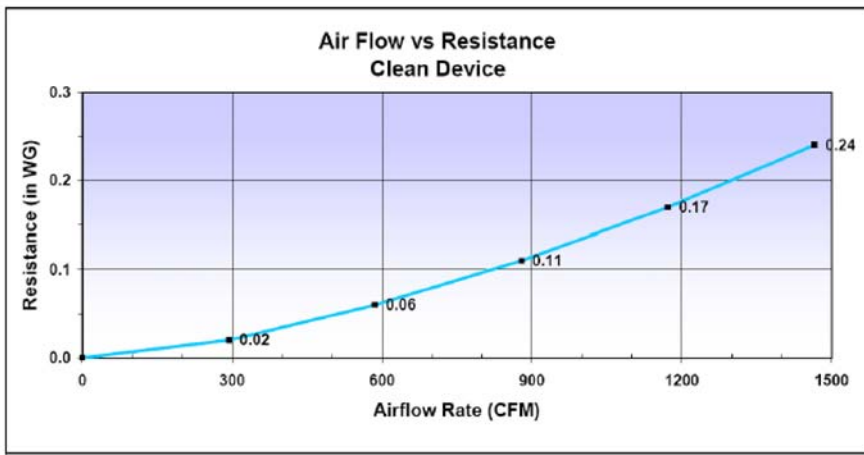
Data - Initial Resistance

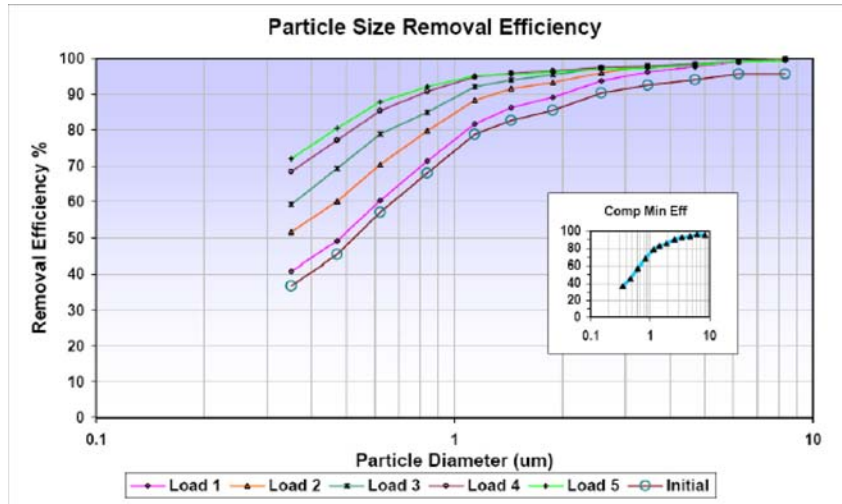
Airflow (CFM)	Resistance (in WG)
0	0.00
193	0.04
386	0.06
578	0.09
771	0.13
964	0.17

Data - Particle Removal Efficiency

Particle Size Range (um)	Geometric Mean Diam (um)	Particle Removal Efficiency (%)							
		CME	Initial	Load 1	Load 2	Load 3	Load 4	Load 5	
0.30 - 0.40	0.35	26.7	26.7	31.6	47.8	59.8	72.8	76.8	
0.40 - 0.55	0.47	35.9	35.9	44.6	65.1	76.8	84.1	87.2	
0.55 - 0.70	0.62	46.8	46.8	56.6	77.4	86.6	91.2	93.0	
0.70 - 1.00	0.84	57.9	57.9	67.9	86.0	92.2	94.9	95.7	
1.00 - 1.30	1.14	70.6	70.6	80.4	93.4	96.3	97.4	97.4	
1.30 - 1.60	1.44	76.8	76.8	85.1	95.7	97.3	97.8	98.2	
1.60 - 2.20	1.88	80.7	80.7	88.9	96.7	97.8	98.3	98.2	
2.20 - 3.00	2.57	85.8	85.8	93.6	98.3	98.7	98.9	98.8	
3.00 - 4.00	3.46	89.9	89.9	96.9	98.8	99.1	99.6	99.3	
4.00 - 5.50	4.69	92.7	92.7	98.2	99.2	99.5	99.6	99.5	
5.50 - 7.00	6.20	95.9	95.9	99.5	99.7	99.6	99.8	99.9	
7.00 - 10.00	8.37	97.1	97.1	99.8	99.9	99.9	99.9	99.9	
		CME	Initial	Load 1	Load 2	Load 3	Load 4	Load 5	
Resistance after Dust Load (in WG) ----->				0.17	0.35	0.57	0.78	1.00	
Dust Load (gms) ----->				5	21	31	39	46	

 <p>2820 S. English Station Road - Louisville, KY 40299 Tel: (502) 357-0132 Fax: (502) 297-8379</p>	<p>Date: 7-Dec-07 TEST NO. 07-1245</p> <h3 style="margin: 0;">ASHRAE Standard 52.2-2007 TEST REPORT</h3>																
<p>Filter Description</p> <table style="width: 100%; border: none;"> <tr> <td style="width: 50%; border: none;"> Manufacturer Filter Model Part Number Generic Filter Type Nominal Dimensions (H x W x D) Pocket / Pleat Quantity Media Type Est. Gross Media Area Adhesive Type </td> <td style="width: 50%; border: none;"> Daikin *See Remarks KAFP553H160 ESNSP-F 21.25"x21.25"x2" 88 Pleats Standard Standard N A </td> </tr> </table>		Manufacturer Filter Model Part Number Generic Filter Type Nominal Dimensions (H x W x D) Pocket / Pleat Quantity Media Type Est. Gross Media Area Adhesive Type	Daikin *See Remarks KAFP553H160 ESNSP-F 21.25"x21.25"x2" 88 Pleats Standard Standard N A														
Manufacturer Filter Model Part Number Generic Filter Type Nominal Dimensions (H x W x D) Pocket / Pleat Quantity Media Type Est. Gross Media Area Adhesive Type	Daikin *See Remarks KAFP553H160 ESNSP-F 21.25"x21.25"x2" 88 Pleats Standard Standard N A																
																	
<p>Test Conditions</p> <table style="width: 100%; border: none;"> <tr> <td style="width: 30%;">Loading Dust Type</td> <td style="width: 30%;">ASHRAE</td> <td style="width: 30%;">Test Air Temp (degrees F.)</td> <td style="width: 10%;">72</td> </tr> <tr> <td>Barometric Pressure (In. Hg.)</td> <td>29.53</td> <td>Relative Humidity (%)</td> <td>23</td> </tr> </table>		Loading Dust Type	ASHRAE	Test Air Temp (degrees F.)	72	Barometric Pressure (In. Hg.)	29.53	Relative Humidity (%)	23								
Loading Dust Type	ASHRAE	Test Air Temp (degrees F.)	72														
Barometric Pressure (In. Hg.)	29.53	Relative Humidity (%)	23														
<p>Test Results</p> <table style="width: 100%; border: none;"> <tr> <td style="width: 70%;">Airflow Rate (CFM)</td> <td style="width: 30%;">1173</td> </tr> <tr> <td>Nominal Face Velocity (fpm)</td> <td>374</td> </tr> <tr> <td>Initial Resistance (in WG)</td> <td>0.17</td> </tr> <tr> <td>Final Resistance (in WG)</td> <td>1.00</td> </tr> <tr> <td>E1 (%) Composite Minimum Avg. Efficiency 0.30 - 1.0 um</td> <td>52</td> </tr> <tr> <td>E2 (%) Composite Minimum Avg. Efficiency 1.0 - 3.0 um</td> <td>84</td> </tr> <tr> <td>E3 (%) Composite Minimum Avg. Efficiency 3.0 - 10.0 um</td> <td>94</td> </tr> <tr> <td>Minimum Efficiency Reporting Value (MERV)</td> <td>MERV 12 @ 1173 CFM</td> </tr> </table>		Airflow Rate (CFM)	1173	Nominal Face Velocity (fpm)	374	Initial Resistance (in WG)	0.17	Final Resistance (in WG)	1.00	E1 (%) Composite Minimum Avg. Efficiency 0.30 - 1.0 um	52	E2 (%) Composite Minimum Avg. Efficiency 1.0 - 3.0 um	84	E3 (%) Composite Minimum Avg. Efficiency 3.0 - 10.0 um	94	Minimum Efficiency Reporting Value (MERV)	MERV 12 @ 1173 CFM
Airflow Rate (CFM)	1173																
Nominal Face Velocity (fpm)	374																
Initial Resistance (in WG)	0.17																
Final Resistance (in WG)	1.00																
E1 (%) Composite Minimum Avg. Efficiency 0.30 - 1.0 um	52																
E2 (%) Composite Minimum Avg. Efficiency 1.0 - 3.0 um	84																
E3 (%) Composite Minimum Avg. Efficiency 3.0 - 10.0 um	94																
Minimum Efficiency Reporting Value (MERV)	MERV 12 @ 1173 CFM																
<p>Comments Tested For: AAF International Dust Fed (gms) to Final Resistance: 90 *Model - FXFQ30-36MVJU & FCQ24-42MVJU</p>																	





Data - Initial Resistance

Airflow (CFM)	Resistance (in WG)
0	0.00
293	0.02
587	0.06
880	0.11
1173	0.17
1466	0.24

Data - Particle Removal Efficiency

Particle Size Range (um)	Geometric Mean Diam (um)	Particle Removal Efficiency (%)							
		CME	Initial	Load 1	Load 2	Load 3	Load 4	Load 5	
0.30 - 0.40	0.35	36.8	36.8	40.7	51.6	59.2	68.4	72.0	
0.40 - 0.55	0.47	45.4	45.4	49.1	60.2	69.3	77.2	80.6	
0.55 - 0.70	0.62	57.1	57.1	60.3	70.4	78.9	85.4	87.9	
0.70 - 1.00	0.84	68.0	68.0	71.3	79.8	85.0	90.8	92.2	
1.00 - 1.30	1.14	78.8	78.8	81.7	88.3	92.1	94.8	95.1	
1.30 - 1.60	1.44	82.7	82.7	86.3	91.6	94.0	95.9	95.6	
1.60 - 2.20	1.88	85.5	85.5	89.2	93.3	95.5	96.6	96.3	
2.20 - 3.00	2.57	90.4	90.4	93.8	96.0	97.4	97.5	97.1	
3.00 - 4.00	3.46	92.6	92.6	96.2	98.0	98.0	97.8	97.3	
4.00 - 5.50	4.69	94.1	94.1	97.7	98.3	98.5	98.3	98.2	
5.50 - 7.00	6.20	95.7	95.7	99.0	99.3	99.4	99.1	99.1	
7.00 - 10.00	8.37	95.6	95.6	99.7	100.0	99.9	99.6	99.3	
		CME	Initial	Load 1	Load 2	Load 3	Load 4	Load 5	
		Resistance after Dust Load (in WG) ----->		0.21	0.36	0.59	0.79	1.00	
		Dust Load (gms) ----->		7	47	68	80	90	

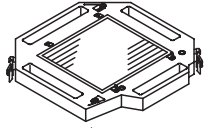

⚠Caution Before starting the installation work, carefully read the following, safety precautions and observe them to ensure safety during work.

- Make sure to use the attached or specified components to install the products. Otherwise, it may cause air leak or the product may fall.
- After installation, check whether there is no abnormality during the trial operation.

REMARKS

- This kit can be installed to the Ceiling Mounted Cassette Type Air Conditioner (Multi-flow type).
- Before installation, make sure the indoor unit model name.
- Refer to the installation manuals for the indoor unit and the decoration panel.

Components Check if following parts are included with your kit.

Name	High Efficiency Filter Unit	Installation manual
Shape		
Quantity	1 PC.	1 PC.

Combination table

Kit name	Applicable Indoor Units	
KAFP556D80 or KAFP557D80	VRV	FXFQ12-18-24MVJU
KAFP556D160 or KAFP557D160	VRV	FXFQ30-36MVJU / FCQ24-42MVJU

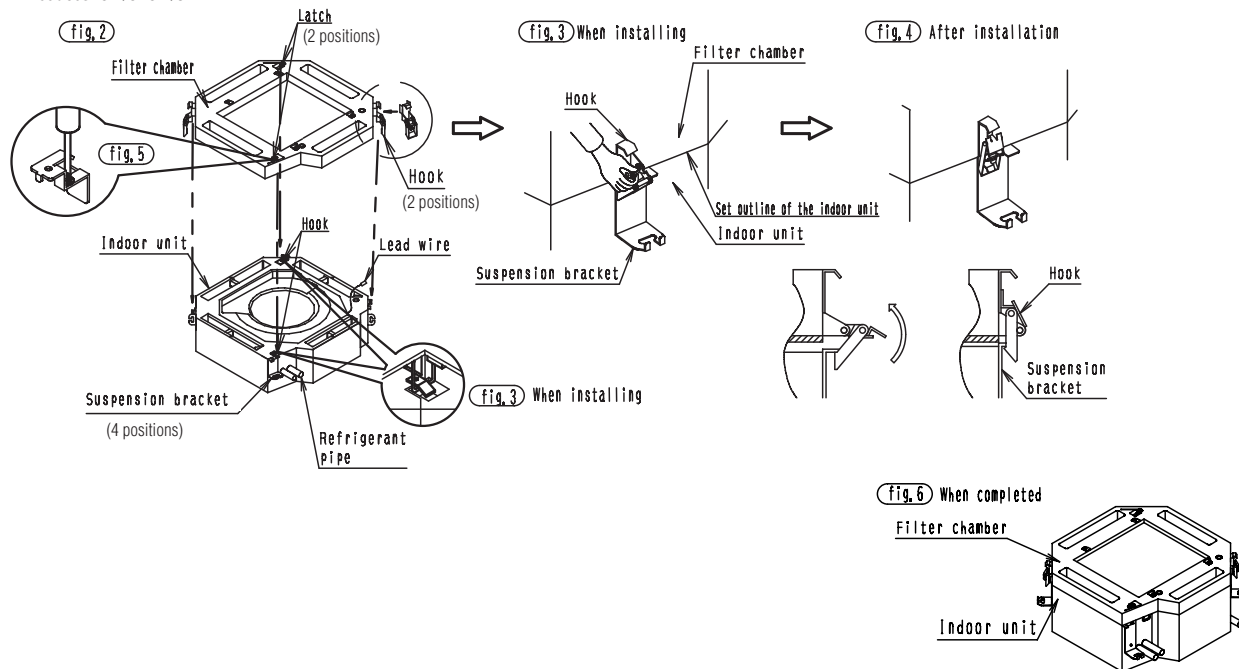
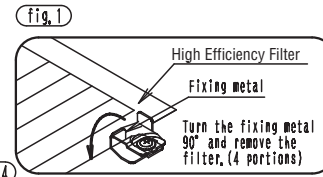
1 Preparation of indoor unit

When you install the High Efficiency Filter, the setting by the remote controller is required. Set the remote controller at the field setting mode and change the setting position number as shown on the table. Refer to the operation manual of the remote controller for the proper field setting.

Mode No.	Setting switch No.	Setting position No.	Remarks
13 or 23	0	02	Only 80
	1	02	Both 80 and 160

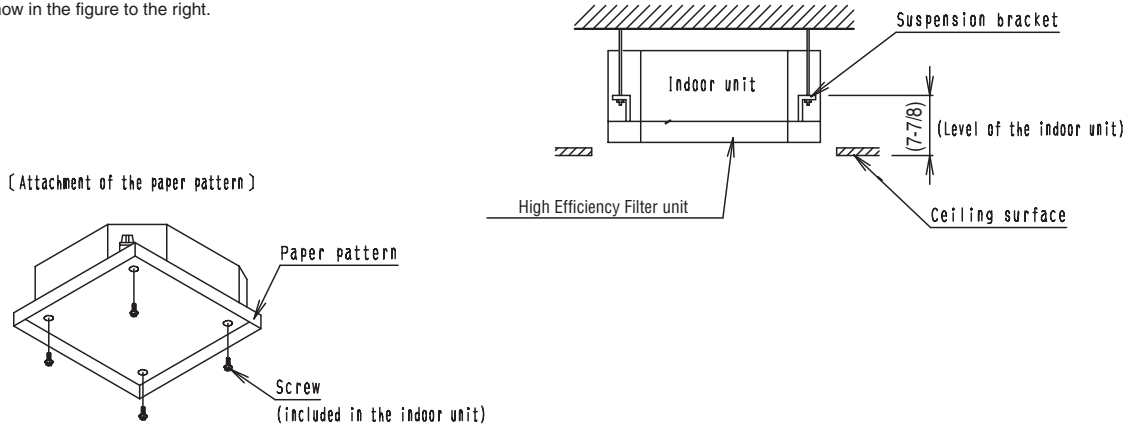
2 Installation of the High Efficiency Filter unit

- Remove the decoration panel (not required for new installation).
 - Remove the decoration panel in the reverse step when the panel is installed. (Refer to the installation manual of the decoration panel for details.)
- Remove the High Efficiency Filter. **(fig.1)**
- Temporarily install the filter chamber to the indoor unit by hanging the latch on the opposite side of the filter chamber to the hook of the indoor unit body (2 positions). Temporarily hang the remaining two hooks of the filter chamber to the hooks on the sides of the indoor unit. **(fig.2) ~ (fig.4)**
 When the indoor unit is already installed, hang the hook to the suspension bracket temporarily and fix the hook. **(fig.3)**
 *Installation set outline of the indoor unit: **(fig.3)**
- Tighten 2 hexagon screws located beneath the latches until the thickness of the sealing material of chamber reduces to 1/5 to 1/3". **(fig.5) (fig.6)**



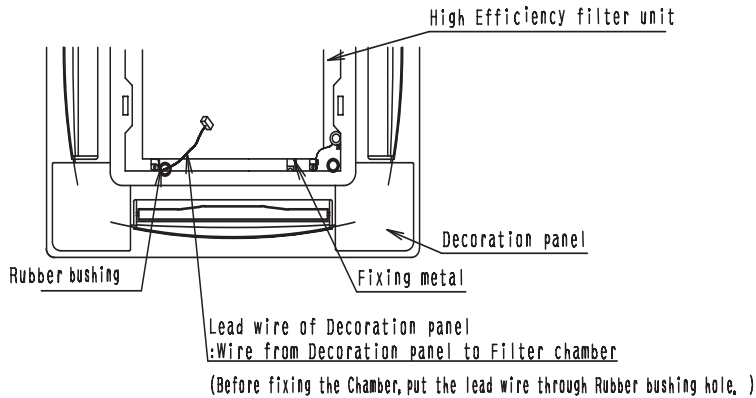
3 Installation of the indoor unit and the High Efficiency Filter unit

- Install the indoor unit and the High Efficiency Filter unit referring to the **Installation Manual**. Refer to the drawing on the right for the height of the unit.
- Complete full installation of refrigerant piping and drain piping.
- Attach the installation paper pattern with screws to protect the unit from dirt.
- If you attach the filter after the unit is already installed, raise the height of the unit as show in the figure to the right.



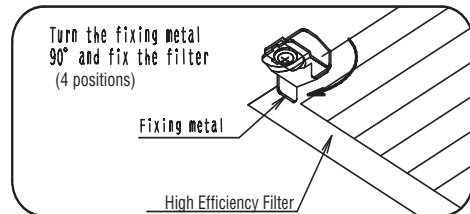
4 Installation of the Decoration panel and the High Efficiency filter

- Install the Decoration panel in accordance with the installation manual attached to the decoration panel,



- Install the High Efficiency Filter after connections are made, as shown in fig 7.

fig. 7

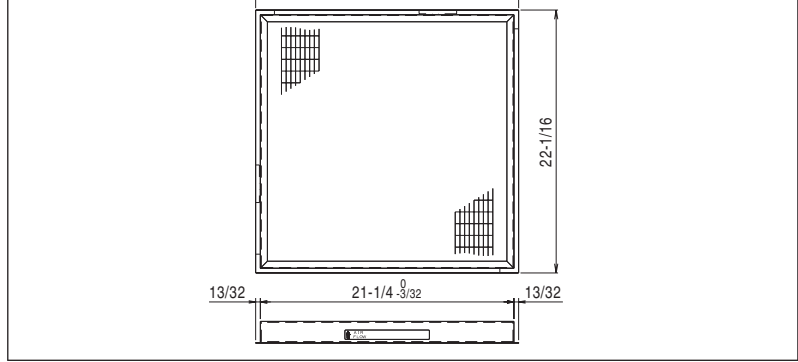


In case of the panel for Wireless remote controller

- Refer to the Installation Manual attached to the Wireless Remote Controller Kit (optional) for details.
- Put the connector for the receiver lead wire through the rubber bushing and connect to the indoor PC board.
- If the filter chamber and OA kit are used, an extended wire harness must be ordered (KK5J55160); see page 28.

3K011145A

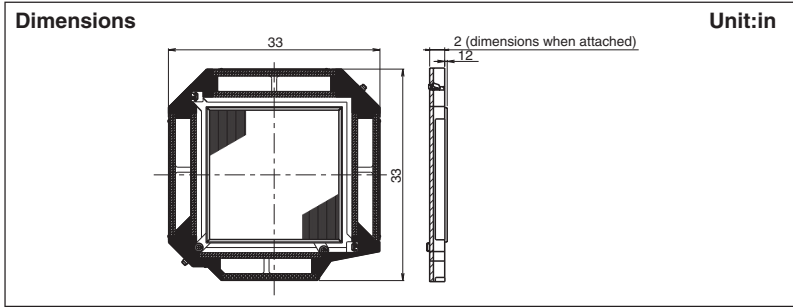
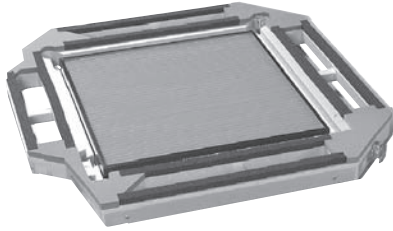
1.5 KAFP552H80-160, KAFP553H80-160 — Replacement High Efficiency Filter



- Cannot be water-washed for reuse.
- The Filter Chamber (KDDFP55D160) is required when the high efficiency filter is installed.

Item \ Model	KAFP552H80	KAFP552H160	KAFP553H80	KAFP553H160
Average efficiency	65 (colorimetric method)		MERV-11	MERV-12
Number of sheets included	1	1	1	1
Airflow rate CFM	671	1236	671	1236
Initial pressure loss ("Wg)	1/32			
Final pressure loss ("Wg)	1/3			
Filter element	Non-woven fabric of synthetic fiber			
Life (h)	2,500 (dust concentration 0.15 mg/m ³)		1,800 (dust concentration 0.15 mg/m ³)	
Mass (Lbs)	1.3	2.6	1.3	2.6
Applicable Models	FXFQ12,18,24MVJU	FXFQ30,36MVJU FCQ24,30,36,42MVJU	FXFQ12,18,24MVJU	FXFQ30,36MVJU FCQ24,30,36,42MVJU

1.6 KAFP55D160 — Ultra Long Life Filter Kit (including filter chamber)



Caution

- In order to mount a ultra long life filter unit, setting of the main unit of indoor unit should be made.
- Replacement filter (KAFJ55K160H) is available as an optional accessory.

Mounting locations	Filter cleaning period
Locations with much dust	Approximately every 5,000 hours
Locations with little dust (e.g. offices)	Approximately every 5,000 hours

Item	Model	KAFP55D160
Average efficiency (%)		50 (Gravity method)
Initial pressure loss ("Wg)		0.10 or less
Final pressure loss ("Wg)		0.31 or less
Filter element		Mildew Proof Resin Net
Life (h)		5,000 (dust concentration 0.3 mg/m ³)
Mass (Lbs)		12-1/2
Component parts		Ultra long-life filter unit Installation Manual

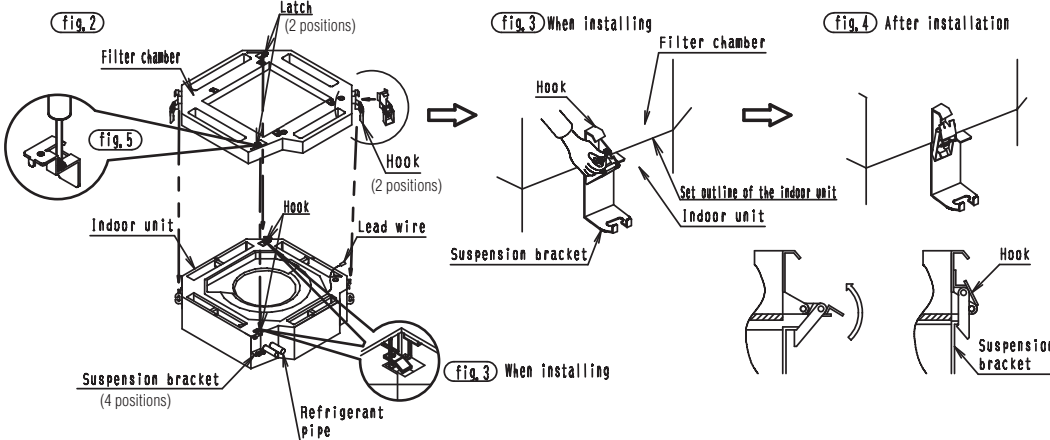
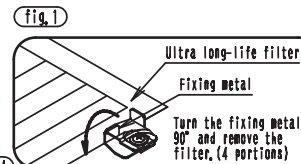
1 Preparation of indoor unit

- When you install the Ultra-long life filter, the setting by the remote controller is required. Set the remote controller at the field setting mode and change the setting position number as shown on the table. Refer to the operation manual of remote controller for the field setting.

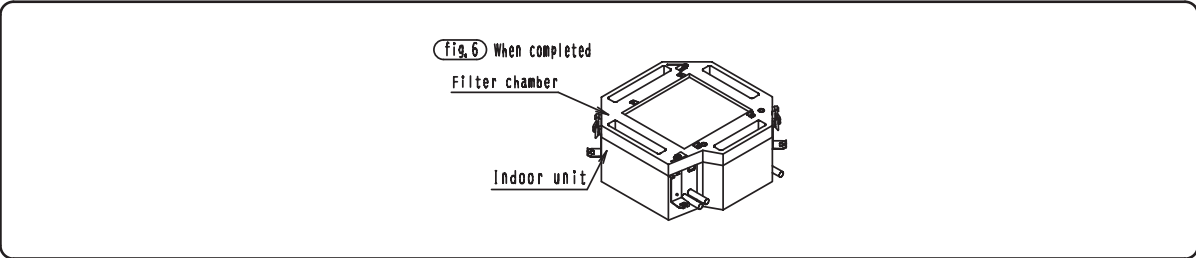
Mode No.	Setting switch No.	Setting position No.	Contents of setting
10 or 20	0	Less dusty place 01	Filter cleaning period :Every 10,000 hrs
		Dusty place 02	Filter cleaning period :Every 5,000 hrs
	1	02	Filter sign display:Ultra-long life filter

2 Installation of Ultra-long life filter Unit

1. Remove the decoration panel. (This is not required for the new installation)
 - Remove the decoration panel in the reverse step when the panel is installed. (Refer to the installation manual of the decoration panel for the details.)
2. Remove the Ultra-long life filter. (Fig.1)
3. Temporarily install the filter chamber to the indoor unit by hanging the latch on the opposite side of the filter chamber to the hook of the indoor unit body. (2 positions)
Temporarily hang the remaining 2 hooks of the filter chamber to the hooks on the sides of the indoor unit. (Fig.2) ~ (Fig.4)
(When the indoor unit is already installed, hang the hook to the suspension bracket temporarily and fix the hook.)
*Installation set outline of the indoor unit (Fig.3)
4. Tighten 2 hex screws located beneath the latches until the thickness of the sealing material (Fig.5) (Fig.6) of chamber reduces to 3/16 in - 5/16 in.



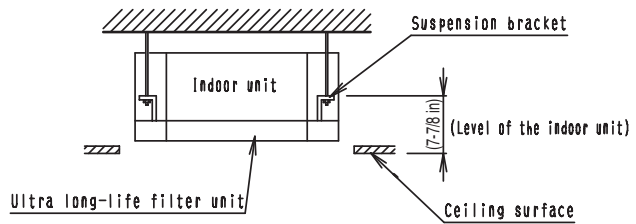
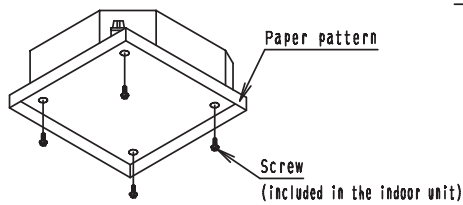
3K011147



3 Installation of the indoor unit and the Ultra long-life filter unit

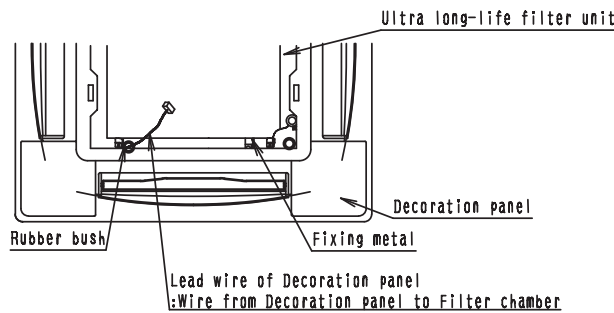
- Install the indoor unit and the Ultra long-life filter unit. Refer to the installation manual of the indoor unit. (For the height of the unit, refer to the drawing on the right.)
- Be complete: install refrigerant piping, and drain piping.
- Attach the paper pattern for installation to the indoor unit with screws to protect the indoor unit from dirt. When the indoor unit is newly installed (See below)
- In case of attaching the chamber after installed indoor unit, For the height of the unit, change the height shown on the right drawing.

(Attachment of the paper pattern)



4 Installation of the Decoration panel and the Ultra long-life filter

- Install the Decoration panel in accordance with the installation manual attached to the decoration panel.

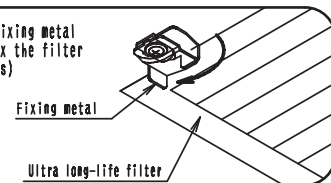


* Before fixing the Chamber, put the lead wire through Rubber bushing hole.

- Installation of the Ultra long-life filter After connecting, install the Filter chamber. (fig.7)

fig.7

Turn the fixing metal 90° and fix the filter (4 portions)



In case of the panel for Wireless remote controller

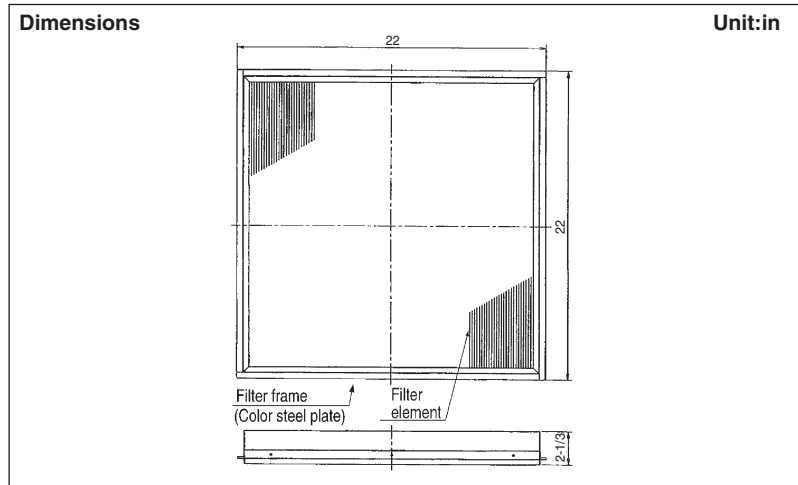
- Put the Connector for receiver lead wire through rubber bushing and connect to the indoor PC board.
- Refer to the installation manual attached to the Wireless remote controller kit(optional)for the details.

3K011147

1.7 KAFJ55K160H — Replacement UltraLong-Life Filter Unit

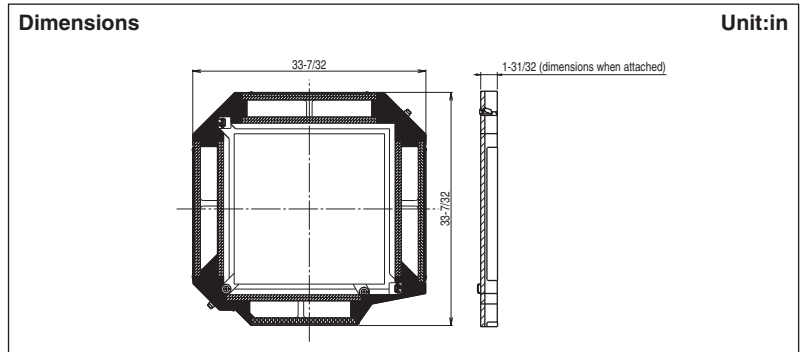
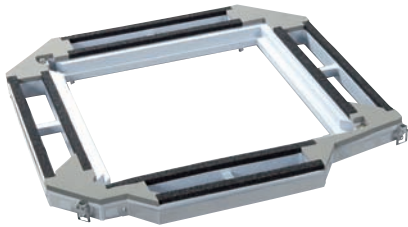


Can be water-washed. Can be reused.



Item	Model	KAFJ55K160H
Average efficiency (%)		50 (Gravity method)
Initial pressure loss ("Wg)		0.031
Final pressure loss ("Wg)		0.33
Life (h)		5,000 (dust concentration 0.3 mg/m ³)
Filter element		Mildew-proof resin net
Number of sheets included		1
Mass (Lbs)		4.5

1.8 KDDFP55D160 — Filter Chamber



Item		Model	KDDFP55D160
Optional filter	High-efficiency filter	65 (colorimetric method)	KAFP552H80 KAFP552H160
		MERV rated	KAFP553H80 KAFP553H160
	Ultra long-life filter		KAFJ55K160H
Mass (Lbs)			6.6

1 Preparation of indoor unit

- When you install the Ultra long-life filter, the setting by the remote controller is required. Set the remote controller at the field setting mode and change the setting position number as shown on the table. Refer to the operation manual of remote controller for the field setting.

Filter name	Mode No.	Setting switch No.	Setting position No.	Contents of setting	
High Efficiency filter	Only 80	13 or 23	0	02	
	Both 80 and 160		1		
Ultra long-life filter	10 or 20	0	Less dusty place	01	Filter cleaning period :Every 10,000 hrs
			Dusty place	02	Filter cleaning period :Every 5,000 hrs
		1	02	Filter sign display:Ultra long-life filter	

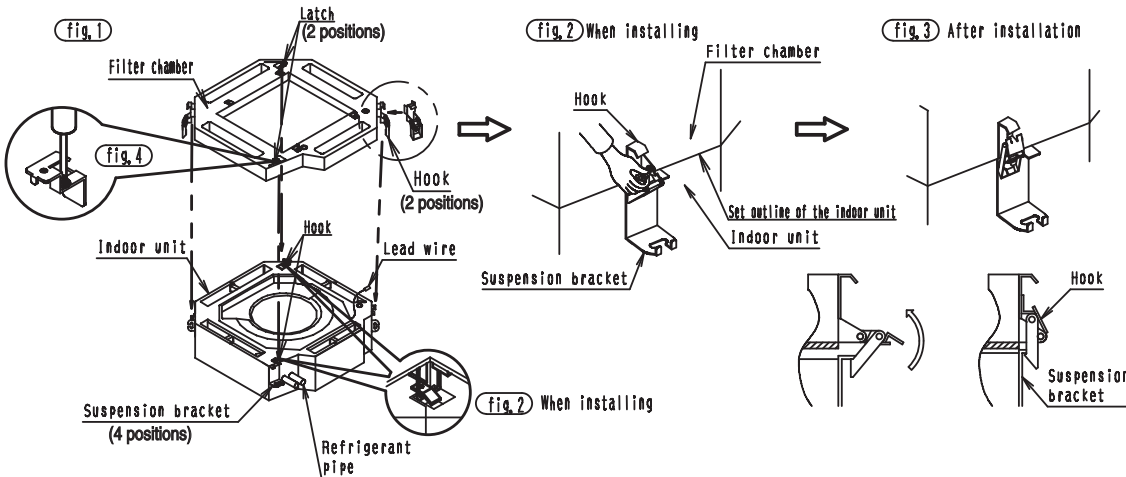
2 Installation of Filter chamber

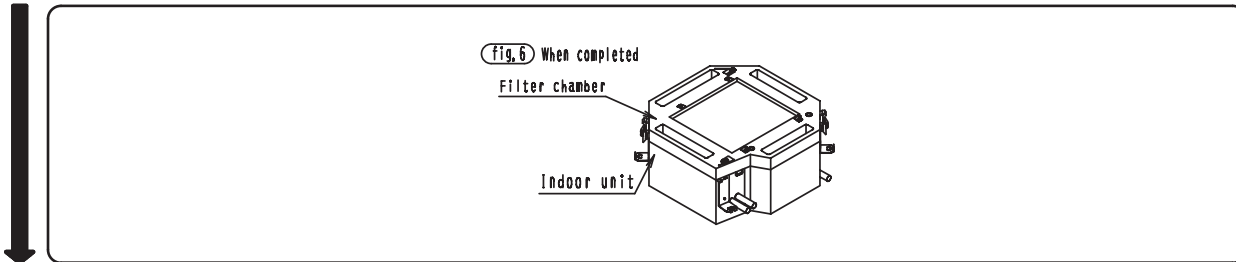
- Remove the decoration panel, (This is not required for the new installation)
 - Remove the decoration panel in the reverse step when the panel is installed. (Refer to the installation manual of the decoration panel for the details.)
- Temporarily install the filter chamber to the indoor unit by hanging the latch on the opposite side of the filter chamber to the hook of the indoor unit body, (2 positions)

Temporarily hang the remaining 2 hooks of the filter chamber to the hooks on the sides of the indoor unit. (fig.1) ~ (fig.3)

(When the indoor unit is already installed, hang the hook to the suspension bracket temporarily and fix the hook.)

※Installation set outline of the indoor unit (fig.2)
- Tighten 2 hex screws located beneath the latches until the thickness of the sealing material (fig.4) (fig.5) of chamber reduces to 3/16 in-5/16 in.

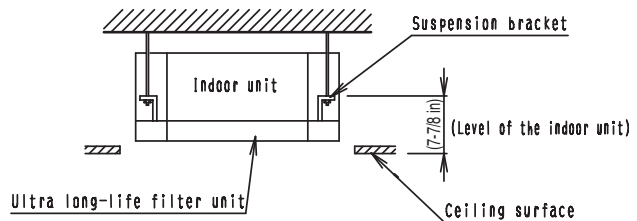
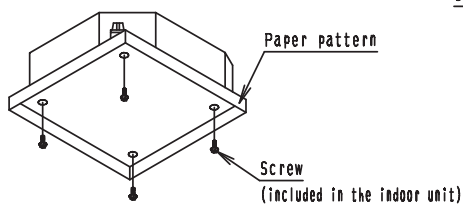




3 Installation of the indoor unit and the Ultra long-life filter unit

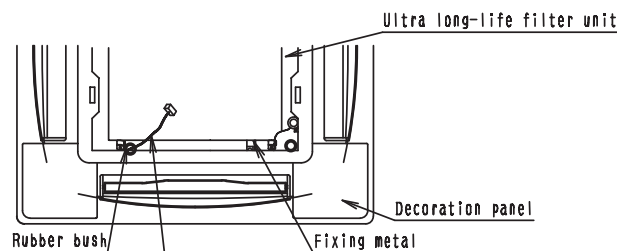
- Install the indoor unit and the Ultra long-life filter unit. Refer to the installation manual of the indoor unit. (For the height of the unit, refer to the drawing on the right.)
- Be complete: install refrigerant piping, and drain piping.
- Attach the paper pattern for installation to the indoor unit with screws to protect the indoor unit from dirt. When the indoor unit is newly installed (See below)
- In case of attaching the chamber after installed indoor unit, For the height of the unit, change the height shown on the right drawing.

[Attachment of the paper pattern]



4 Installation of the Decoration panel and the Ultra long-life filter

- Install the Decoration panel in accordance with the installation manual attached to the decoration panel.



Lead wire of Decoration panel
:Wire from Decoration panel to Filter chamber

* Before fixing the Chamber, put the lead wire through Rubber bushing hole.

- Installation of the Ultra long-life filter
After connecting, install the Filter chamber. (fig.7)

(fig.7)

Turn the fixing metal 90° and fix the filter (4 portions)

Fixing metal

Ultra long-life filter

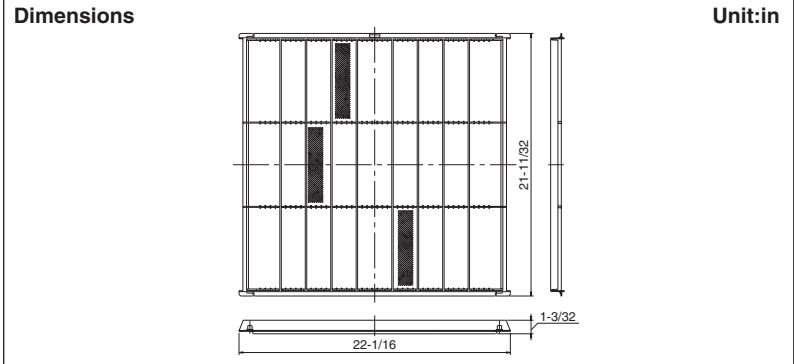
In case of the panel for Wireless remote controller

- Put the Connector for receiver lead wire through rubber bushing and connect to the indoor PC board.
- Refer to the installation manual attached to the Wireless remote controller kit(optional)for the details.

3K011147

1.9 KAFJ551K160 — Replacement Long Life Filter

KAFJ551K160



- Has the same specifications as the standard equipment.
- Can be water washed. Can be reused.

Item	Model	KAFJ551K160
Average efficiency (%)		65 (Gravity method)
Initial pressure loss("Wg)		0.03 or less
Final pressure loss("Wg)		0.20
Life (h)		2,500 (dust concentration 0.15 mg/m ³)
Filter element		Mildew-proof resin net
Number of sheets included		1
Mass (Lbs)		0.7

1.10 KDBHJ55K160 — Sealing Member of Air Discharge Kit

Caution

- Refer to the installation manual for both indoor unit and the decoration panel.
- When you install other optional kit, it may not be possible to select the 3-way or 2-way air discharge. For details, refer to the manual for the optional kit or the catalogue.

● **Contents of Kit** Prior to installation make sure you have the complete kit of parts.

Name	Sealing material(A)	Sealing material(B)	Sealing material(C)	Sealing material(D)
Quantity	1 piece	1 piece	1 piece	1 piece
Shape and marking				

Name	Insulation for top plate		Insulation for side plate			Moisture absorber for bell-mouth		Moisture absorber for horizontal vane
Quantity	1 piece	1 piece	1 piece	2 pieces	1 piece	2 pieces	1 piece	5 kinds
Shape and marking			9-1/2 x 24-1/4"	9-1/2 x 21-1/4"	9-1/2 x 19-1/3"			

① **The direction of air discharge and the positioning of sealing material**

(1) Selection of air outlet

- Select the direction of air discharge from the following table according to the location of the indoor unit. Refer to ② **Setting of indoor unit** for setting position number.

Refer to the installation manual attached to the indoor unit for selection of installation location.

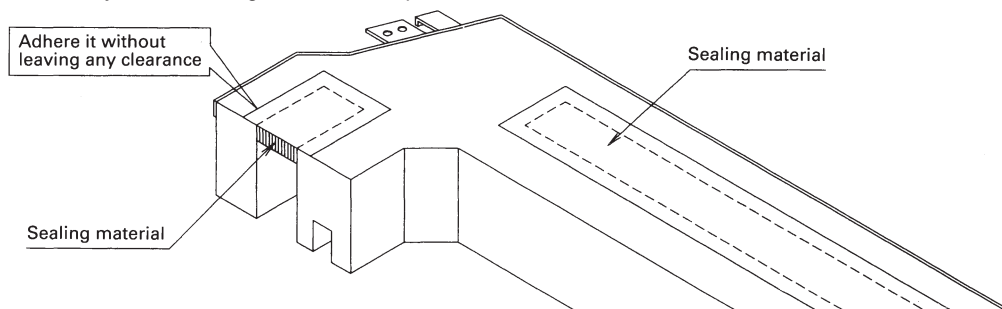
Caution

Never select the direction of air discharge other than the following pattern. (You may have a condensation problem.)

	Setting position No.	02	02	02	02
	3-way discharge				
	Setting position No.	03	03	03	
	2-way discharge				

(2) Installation of sealing material

Make sure each symbol of sealing material corresponds to the air outlet.



J : 1P012222-1B-1

② Setting of indoor unit

It is required to make a local setting on the remote controller according to the installation of the indoor unit. The direction of air discharge should also be set by the remote controller.

- The 3 different kinds of settings, **Mode number**, **Setting switch number**, and **Setting of the direction of air discharge**, should also be set with the remote controller.
 - Refer to Local setting on the Operation Manual of the remote controller for the setting procedure.
1. Set according to the table of **The direction of air discharge and the installation of the sealing material**. Check the setting position number corresponding to the direction of air discharge.
 2. Refer to the local setting for the remote controller in the Operation Manual and change the setting according to the position determined by (1) as shown in the table below.

		Mode number			Setting switch number			
Setting of the direction of air discharge		13 (23)			1			

(Ceiling Height is reference value)

Ceiling height (ft)		FXFQ12,24MVJU			FXFQ30,36MVJU		FCQ24,42MVJU	Ceiling height setting position number
		4-way air outlet	3-way air outlet	2-way air outlet	4-way air outlet	3-way air outlet	2-way air outlet	
Standard		8-27/32	9-27/32	11-15/32	10-1/2	11-13/16	13-25/32	01

Caution

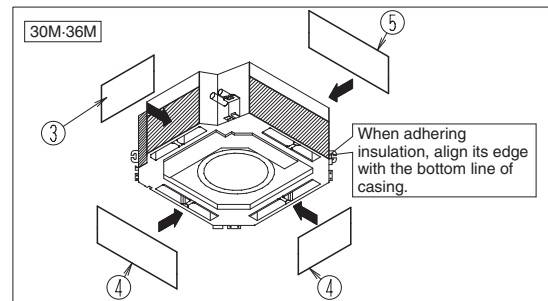
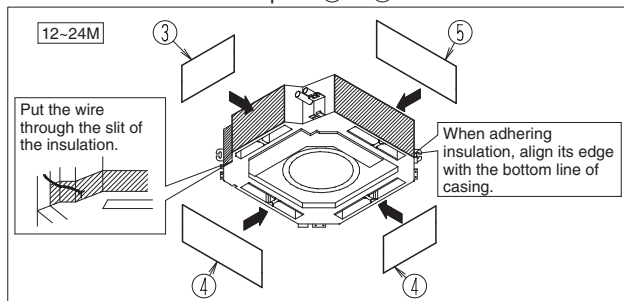
Refer to the table for the height of the ceiling for each direction of air outlet. (The setting of the ceiling height is also required.)

(B0234)

③ Installation of the insulation

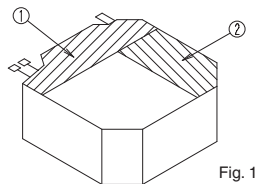
(1) Installation to the side plate

Adhere insulation for side plate ③ ~ ⑤ to the side of indoor unit.



(2) Installation to the top plate

Adhere insulation for top plate ①, ② to the top of the indoor unit.

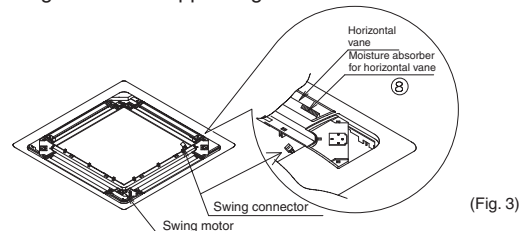


(3) Adhere the moisture absorber for horizontal vane to the edge of the horizontal vane of air outlet (Fig. 2). (Choose the same color as panel.)

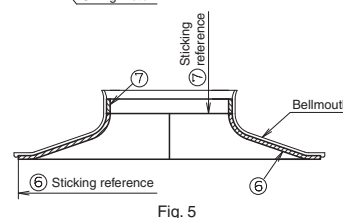
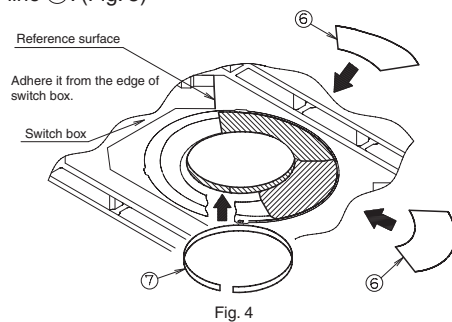


Fig. 2

Align it with the upper edge of horizontal vane.

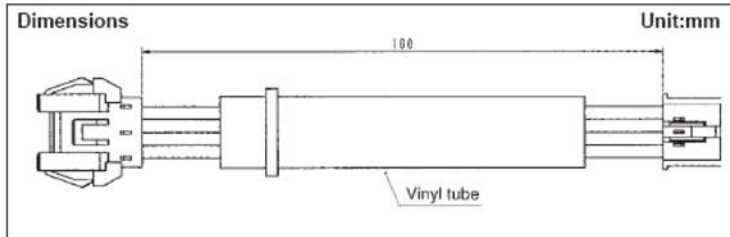


- (4) Adhere the moisture absorber ⑥ in accordance with the reference surface without wrinkles. (Fig. 4)
- Adhere the moisture absorber ⑦ in accordance with the reference line ⑦. (Fig. 5)



JC : 1P012222-1B-2

1.11 KK5J55160 — Chamber Connector Kit

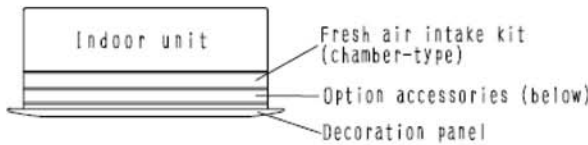


Combining with option accessories (chamber-type)

- This chamber connection kit is for use with the multi-flow set. Refer to the catalog, etc, for details on the separately sold items (chamber-type) to be connected.
- Refer to the table at right for combinations of this kit and other option accessories(chamber-type). Also, be sure to install the fresh air intake (chamber-type) kit above.

		Above
	Option accessories (chamber-type)	Fresh air intake kit
below	Air purification unit	○
	High Efficiency filter unit	○
	Ultra-long life filter unit	○
	Fresh air intake kit	/

Combinations not listed in this table should not be attempted as they will cause malfunctions.



Contents of parts

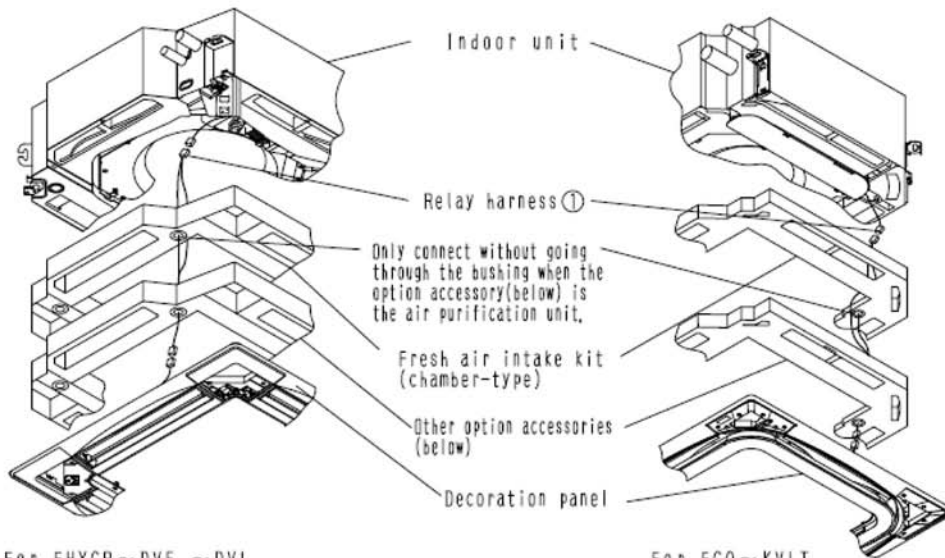
Check the following parts

Name	Relay harness	Clamping material
Shape	①	②
Quantity	1 PC.	2 PCS.

Installation of the Chamber connection kit.

Refer to the installation (attachment) manuals included with the indoor unit, the option accessories (chamber-type), and Decoration panel for details on installation (attachment).

Caution Extend the Decoration panel's swing motor lead wire using the included relay harness ① and connect it to the indoor unit. When doing this, use the included clamping material ② to tie the lead wire so it does not droop.



2. FXZQ

- 2'x 2' Ceiling Mounted Cassette Type (Multi Flow) -

2.1 BYFQ60B8W1U — Decoration Panel

1. BEFORE INSTALLATION

1. PRECAUTIONS

- Refer also to the installation manual attached to the indoor unit.

2. ACCESSORIES

- Installation manual.
- Screw (4 pcs.)

3. NOTE TO INSTALLER

- Be sure to instruct the customer how to properly operate the system showing them the operation manual attached to the indoor unit or the outdoor unit.

2. PREPARATION OF DECORATION PANEL

For this unit, you are able to select air flow directions. To discharge air in 2 or 3 directions, it is necessary to purchase optional kit, **Sealing Member of Air Discharge Outlet**.

HANDLING OF DECORATION PANELS

- Never place the panel facing down nor lean it against a wall nor leave it on a projecting object.
- To prevent malfunction, never touch or put pressure on the louver.

(1) Remove the suction grille from the decoration panel.

- 1 Open the suction grille by sliding the 2 suction grille tabs in the direction of the arrow. (Refer to Fig. 1)

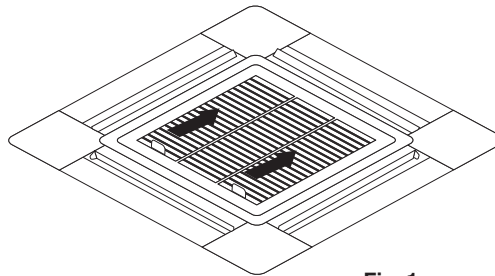


Fig. 1

- 2 Detach the suction grille from the decoration panel by lifting the grille up approximately 45 degrees. (Refer to Fig. 2)

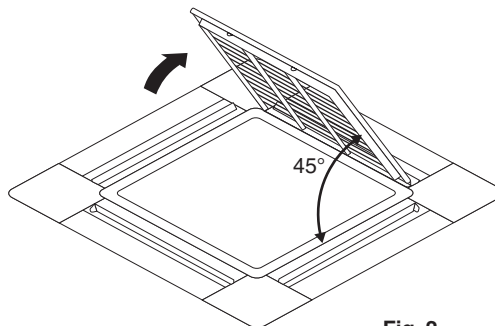


Fig. 2

3. INSTALLATION OF THE DECORATION PANEL TO THE INDOOR UNIT BODY

Refer to the installation manual attached to the indoor unit for the installation of the indoor unit.

- (1) Match the "PIPING SIDE" and "DRAIN SIDE" displays on the decoration panel with the position of the piping section and drain section on the indoor unit.
- (2) Install the decoration panel.
 1. Make sure the wire has not come out of the groove for the wiring route inside the indoor unit. (3 locations)
If it has, put it back in.
(Connecting the panel with wires out of the groove may cause water leakage.)
 2. Temporarily tighten the attached screws approximately 1/5" (5mm) into the opposing sides of the control box in the indoor unit. **(Refer to Fig. 3)**

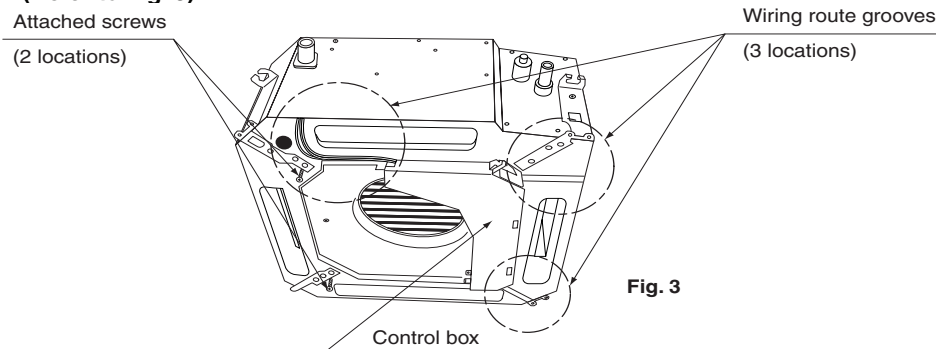


Fig. 3

3. Slide the panel in the direction of the arrow, passing the 2 attachment holes (the "U" shapes parts) over the temporarily tightened screws. **(Refer to Fig. 4)**

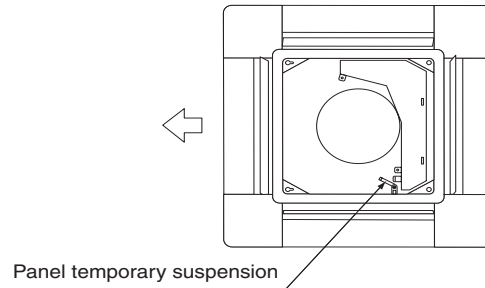


Fig. 4

4. Hang the panel temporary suspension on the hook located on the control box of indoor unit. **(Refer to Fig. 5)**

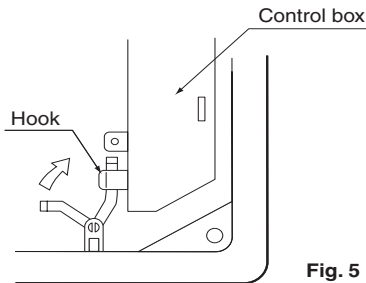


Fig. 5

5. Attach the remaining 2 screws, and tighten all 4 screws until the sealant between the decoration panel and indoor unit is compressed to between 1/4-1/3" (6-8 mm) thick. **(Refer to Fig. 6)**

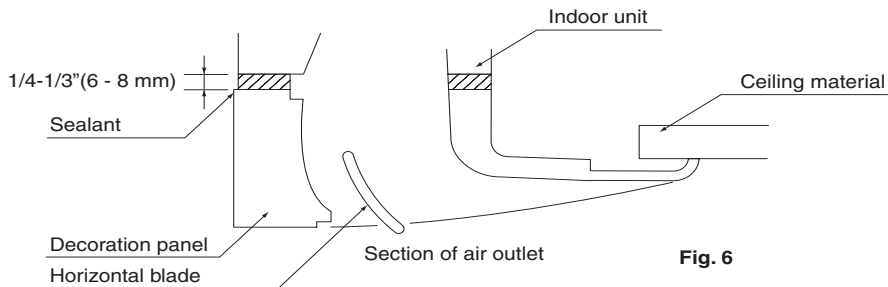


Fig. 6

3PA64319-12N-2

[PRECAUTIONS]

Improper tightening of screws can cause problems such as shown in Figure 7. Be sure to tighten correctly.

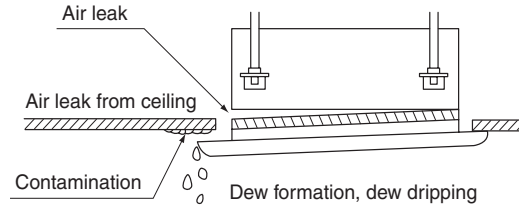


Fig. 7

If a gap remains between the ceiling and the decoration panel after tightening the screws, readjust the indoor unit's body height.

(3) Wiring of the decoration panel (Refer to Fig. 8)

- 6. Remove the control box lid after making sure the power to the unit is off.
- 7. Connect the connectors for the louver motor lead wire installed on the decoration panel.

Be sure to connect the connectors. Failure to do so prevents the louver from operating.

- 8. Replace the control box lid reversing the procedure to remove it.

Make sure that the louver motor lead wire is not caught between the indoor unit and the decoration panel.

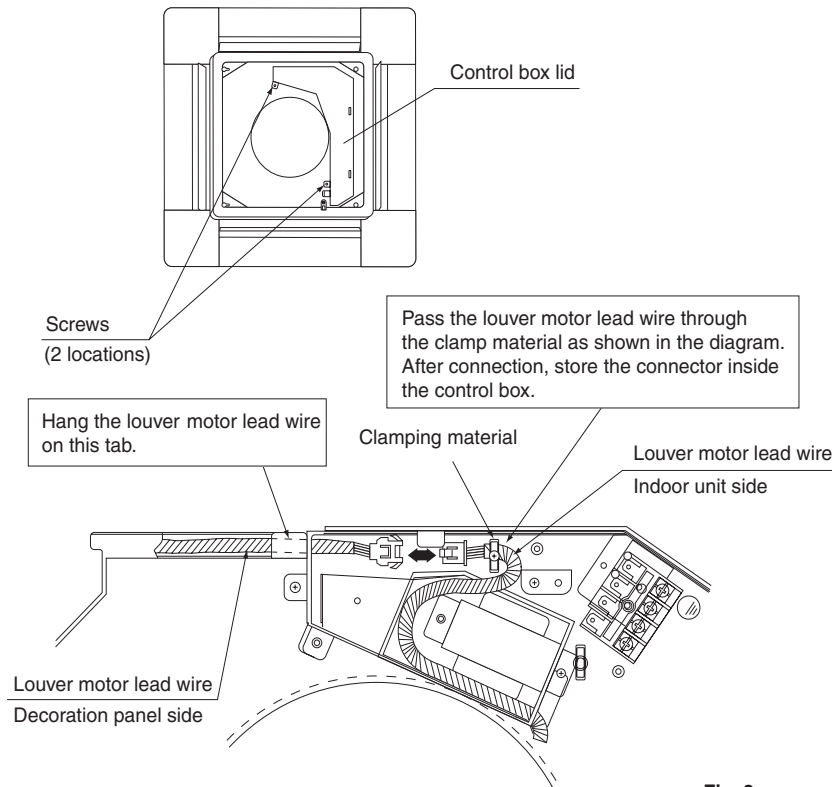


Fig. 8

4. INSTALLATION OF THE SUCTION GRILL

Install by reversing the procedure shown in **PREPARATION OF DECORATION PANEL**.

It is possible to install the suction grille in 4 directions by turning the suction grille.

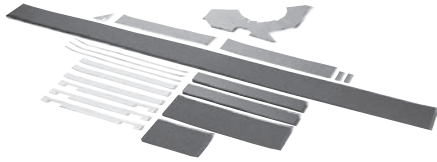
Change the direction when adjusting the direction of the suction grille of multiple units or in meeting customer demands.

NOTE

Be careful not to let the louver motor lead wire get caught when installing the suction grille.

3PA64319-12N-3

2.2 KDBHQ44B60 — Sealing Member of Air Discharge Outlet



Component

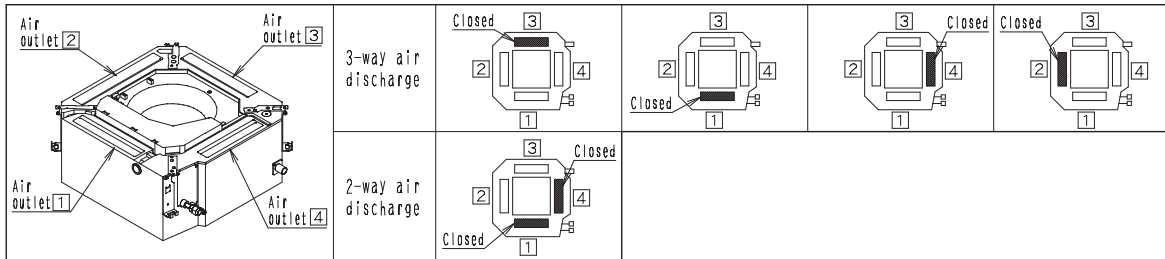
Name	Sealing material	Tape for fixing the sealing material	Insulation for side plate			Moisture absorber for bell-mouth
Quantity	2 pieces	2 pieces	1 piece	1 piece	1 piece	1 piece
Shape	①	②	③-1 4" x 7"	③-2 4" x 14-1/2"	③-3 4" x 60-1/2"	④
Name	Moisture absorber for swing flap		Moisture absorber for panel edge	Moisture absorber for attached point	Moisture absorber for flesh air intake	
Quantity	3 pieces	3 pieces	3 pieces	1 piece	2 pieces	
Shape	⑤ 1" x 14-1/5"	⑥	⑦ 1/3" x 17-3/4"	⑧	⑨ 2" x 4/5"	

① The direction of air discharge and the positioning of sealing material

(1) Selection of the air outlet

- Select the direction of air discharge from the following table according to the location of the indoor unit.
Refer to **② Setting for indoor unit** for setting position number.
Refer to the installation manual attached to the indoor unit for selection of installation location.

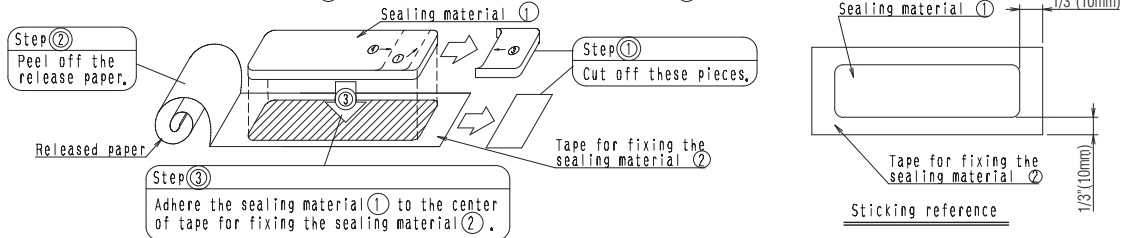
Caution Never select the direction of air discharge other than the following pattern.
(You may have a condensation problem.)



- (2) Prepare the sealing material ① and the tape for fixing the sealing material ② according to the air outlet No. to be closed.
- Cut off the sealing material ① and the tape for fixing the sealing material ② along the perforated lines (marked ----).
 - Adhere the sealing material ① to tape for fixing the sealing material ②.
Make sure that the sealing material ① is placed at the center of the tape for fixing the sealing material ②.

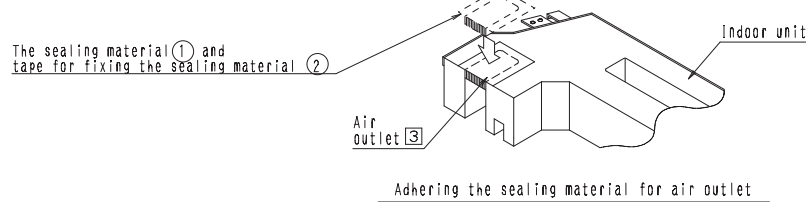
Example) For closing the air outlet ③

<How to prepare the sealing material ① and tape for fixing the sealing material ② >



*When closing the air outlet ②, it is not required to cut off the sealing material ① and tape for fixing the sealing material ②.

- (3) Adhere the sealing material ① and tape for fixing the sealing material ② prepared according to the procedure (2) to the indoor unit air outlet.



2 Setting for indoor unit

It is required to make a field setting from the remote controller according to how the indoor units are installed. The direction of air discharge must also be set by the remote controller.

- The 3 different kinds of settings such as **Mode Number**, **Setting Switch Number**, and **Setting Position Number** must be made by the remote controller.
- For setting procedure, refer to **Field Setting** in the **Operation Manual** of the remote controller.
Setting is according to number of air discharge outlets.
Check the setting position number corresponding to the direction of air discharge in the following table:

(Number of use of air outlets)	Mode number	The setting switch number	The setting position number
3-way air discharge	13(23)	1	02
2-way air discharge			03

3 Installation of the insulation

For safety, be sure to turn off the power before installing the decoration panel, affixing the insulation, and connecting the swing connector.

- (1) Adhere the insulations for side plate ③ in position, referring (Fig.1) (Fig.2).
- (2) Adhere the moisture absorber for bell-mouth ④ on the inner surface of the bell-mouth. See (Fig.1) (Fig.2) (Fig.3).

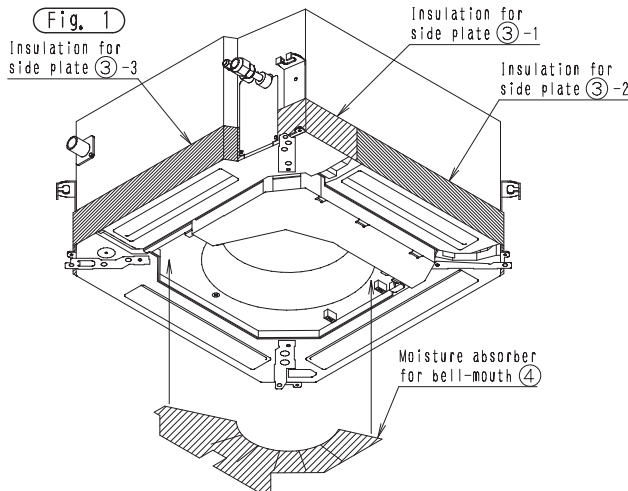


Fig. 3

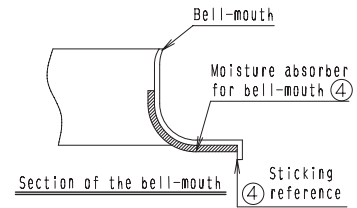
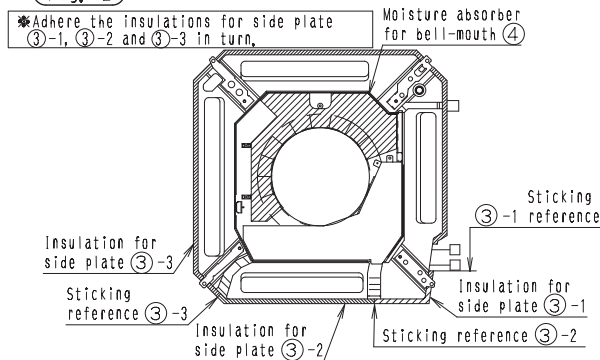


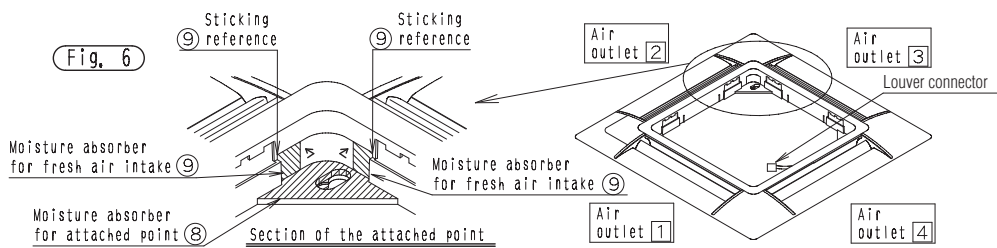
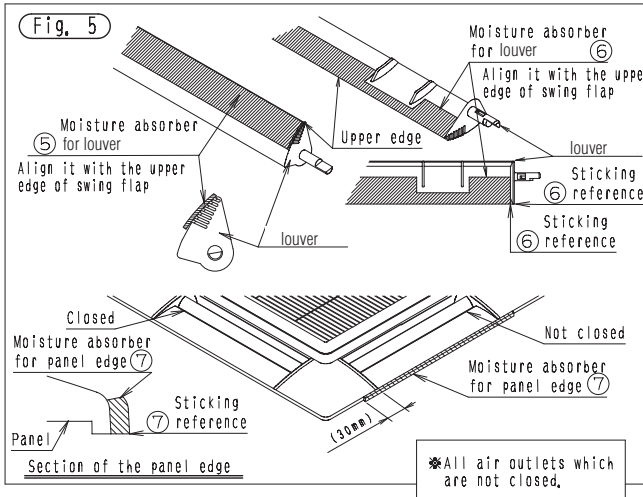
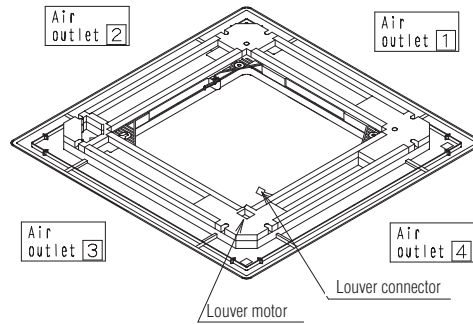
Fig. 2



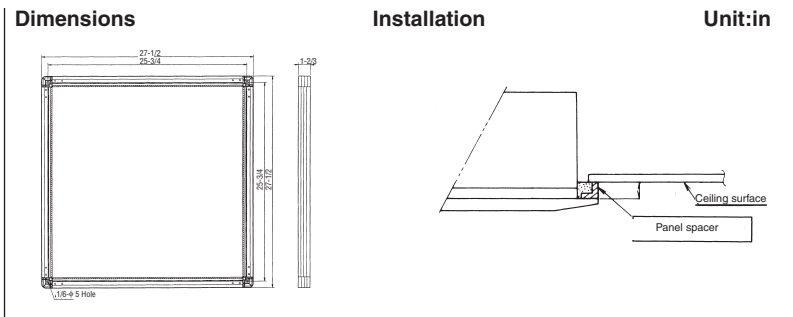
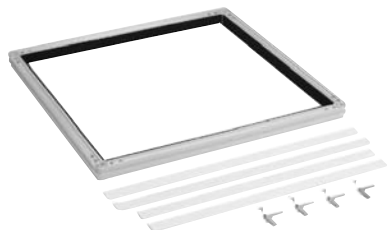
1P109292B

- (3) Confirm the air outlet and NO, not to be closed on the panel. See (Fig.4).
- (4) Adhere the moisture absorbers for swing flap (5) (6) aligning with the upper edge of the swing flap on the air outlet. And, adhere the moisture absorbers for panel edge (7) with the panel edge on the air outlet. See (Fig.5).
- (5) Adhere the moisture absorber for attached point (8) with the attached point to indoor unit between the air outlet (2) and (3). And, adhere the moisture absorbers for fresh air intake (9) with the fresh air intake hole. See (Fig.6).

Fig. 4



2.3 KDBQ44B60A — Panel Spacer



- Using the panel spacer in areas of the ceiling with limited space makes it possible to install the air conditioner.
- Hides the gap between the decoration panel and the ceiling.

Item	Model	KDBQ44B60A
Applicable decoration panel		BYFQ60BW1
Exterior		White
Material		Outside frame: Resin Insulation: Foam polyethylene
Component Parts		Panel spacer, Insulation, Sealant, Mounting screws, Installation manual
Mass (lb)		3.3
Applicable Models		FXZQ07,09,12,18MVJU

Combination table

Panel spacer	KDBQ44B60 KDBQ44B60A KDBQ44BA60A
Decoration panel	BYFQ60BW1 BYFQ60B8W1U

Caution

- When the Panel Spacer is installed, it is not possible to have 2-way air outlet.
- Refer to the installation manual for both indoor unit and the Panel spacer for its installation.

Contents of kit

Check if following parts are included with your kit,

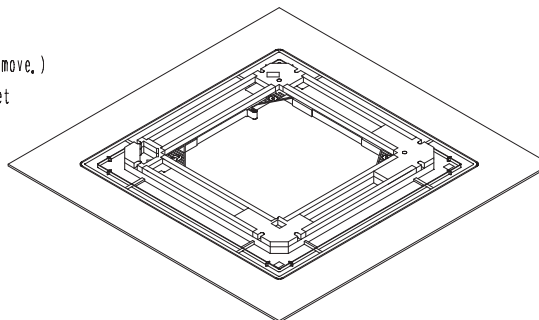
Name	Panel spacer frame	Resin corner part	Fixing metal	Screw
Quantity	4 PCS,	4 PCS,	4 PCS,	28 PCS,
Shape • number	①	②	③	④ M4×12 Tapping screw (Class 2)
Name	Sealing material			
Quantity	2 PCS,	2 PCS,		
Shape • number	⑤	⑥		

① Preparation of the decoration panel

- Handle the decoration panel with care,

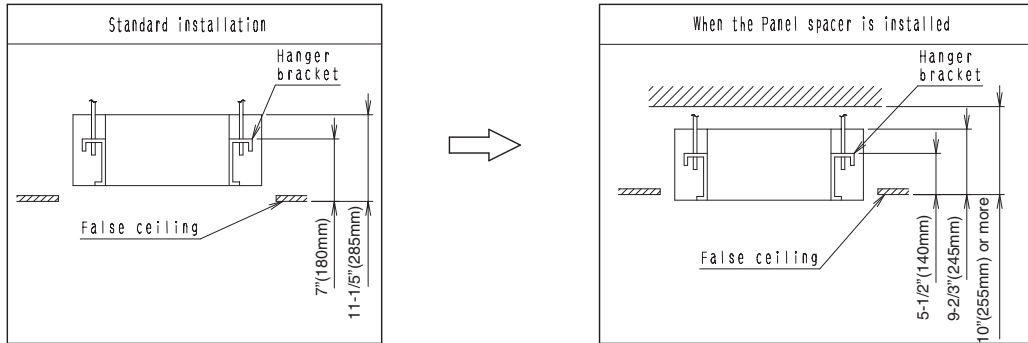
Never place the panel face down, lean it against the wall, or place it on the protective object as doing so can dent or damage the surface of the panel or swing motor.

- (1) Remove the suction grill from the decoration panel.
(Refer to the installation manual of the decoration panel how to remove,)
- (2) Place the panel face down on the corrugated board or the vinyl sheet to protect the surface of the panel.



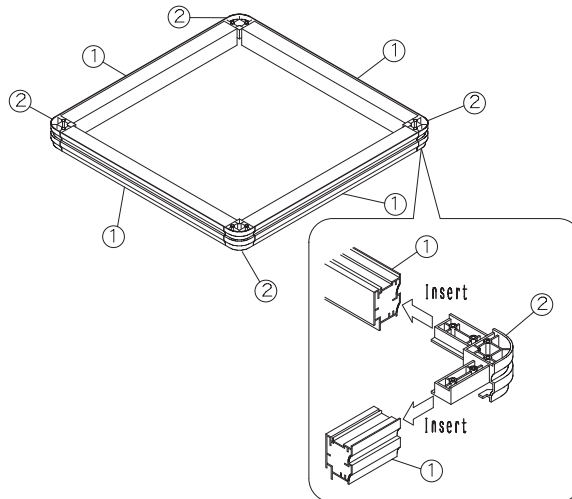
2 Installation of the indoor unit

Adjust the height of the indoor unit, making sure that the piping does not come into contact with the ceiling joist.

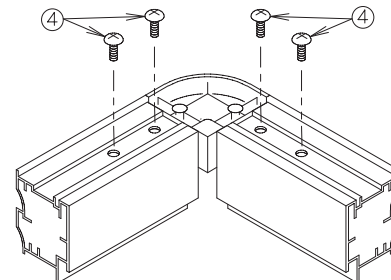


3 Assembly of panel spacer

(1) Assemble the panel spacer frame ① and the plastic corner joint ② temporarily.



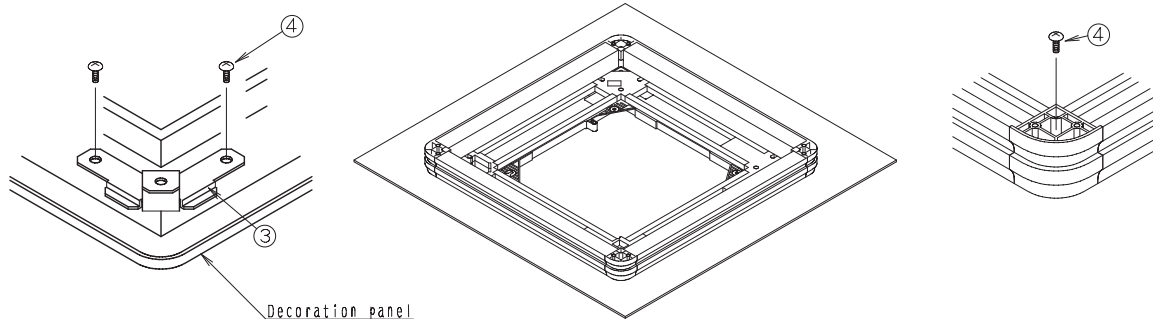
(2) Fix with the screws ④ from the top, (4 screws in each corner)



1P107764C

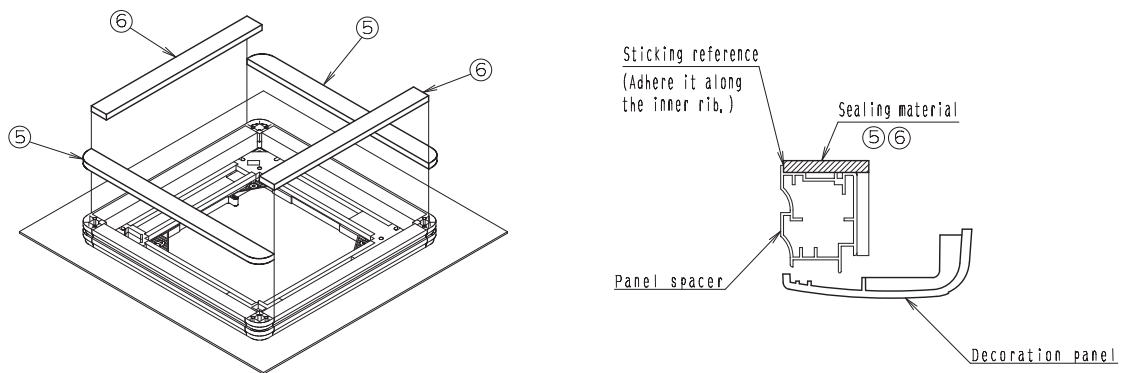
4 Fixing to the decoration panel

- (1) Set the fixing metal ③ on each corner with screws ④.
 (2) Place the panel spacer assembled in item ③ Assembly of panel spacer of the above on the outer frame of the decoration panel.
 (3) Fix the panel spacer to the fixing metal ③ with screws ④ (4 portions).



5 Adhesion of the sealing material

Adhere the sealing material ⑤ ⑥ on the upper face of the panel spacer in the order of ⑤ and ⑥.

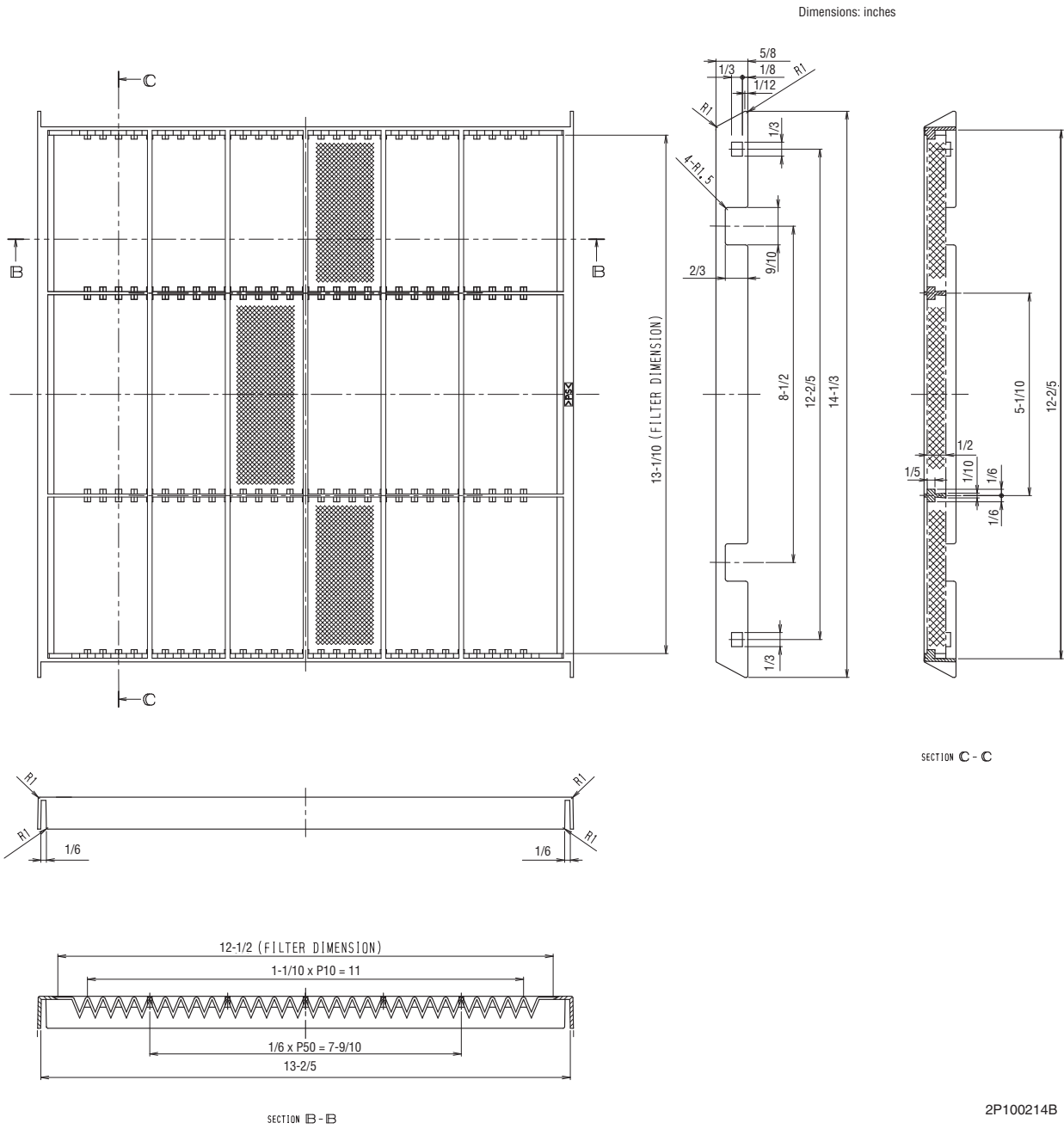


6 Installation of the decoration panel

Install the decoration panel to the indoor unit according to its installation manual.

The panel spacer is not firmly fixed to the decoration panel, so never press directly on the panel spacer and do not lean on the decoration panel.

2.4 KAFQ441B60 — Replacement Long-Life Filter



2.5 KDDQ44X60 — Fresh Air Intake Kit (Direct Installation Type)



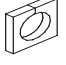
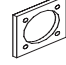

Remarks:

1. This kit can be installed to the Ceiling-mounted Cassette type (Multi-flow).
2. When installing this kit, duct (nominal diameter of 4" (100 mm) is required on site.

- In case the metal duct is penetrated through the wooden walls, make sure the duct and the wall are electrically insulated.
- Install the duct inclined downward toward outdoors so that rain cannot enter the duct. Use an inclination of 1/100 to 1/50.
- To avoid birds, small animals, or insects getting inside the duct, make sure to install netting where it contacts outside air.

Contents of kit:

Prior to installation, make sure you have the complete kit of parts.

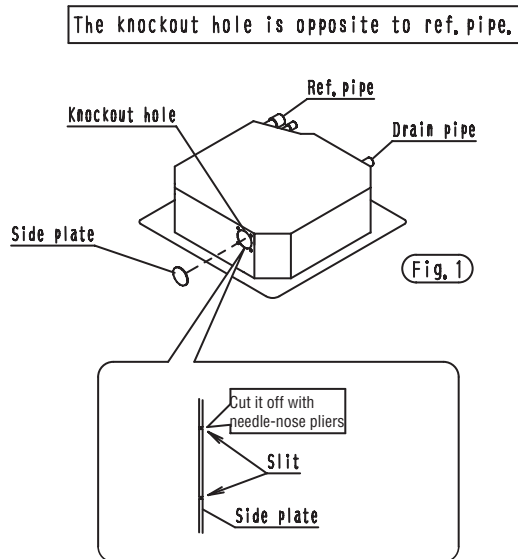
Name	① Duct flange	② Screws	③ Insulation for duct flange	④ Insulation for opening of unit	⑤ Installation manual
Q'ty	1 piece	4 pieces	1 piece	1 piece	1 piece
Shape		 M4×12			

Necessary tools:

Philips head screwdriver, needle-nose pliers, cutter

① Installation procedures of duct flange

1. Cut off the knockout hole on the side plate, (Fig. 1)



2P108307A

- Adhere the insulation ④ for opening of unit to the opening, (Fig.2)
Apply proper insulation ④ for the hole of the insulation ④ and hole of the indoor unit.

However, put the insulation ④ so as not to conceal the screw hole of the indoor unit.

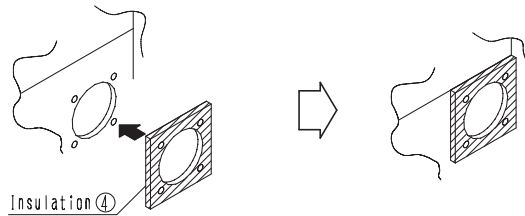


Fig. 2

- Install the duct flange ① with screws ② (M4×12, 4 screws) to the opening and adhere the insulation ③ (Fig.3)

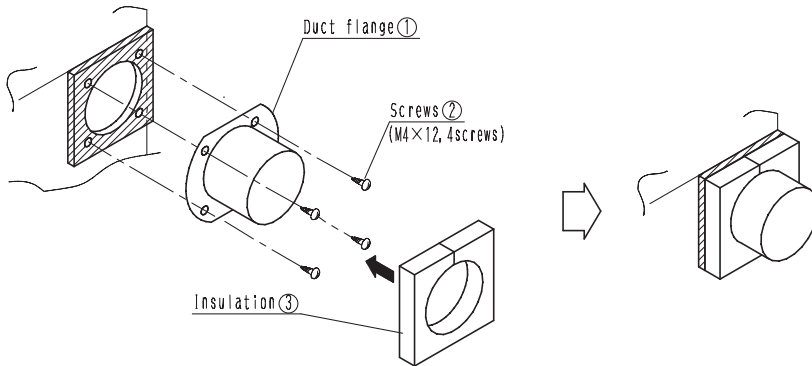


Fig. 3

2 Installation procedures of duct <Nominal diameter of duct: $\phi 100$ >

- Connect the duct to the duct flange. (Flange fits inside the duct,) (Fig.4)
- After connection, wrap vinyl tape (field supply) around the duct connection to prevent an air leak.

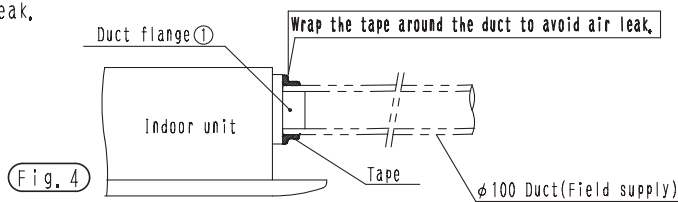


Fig. 4

Precaution

- All ducts must be completely insulated.
- Do not do the followings when installing duct.

- A) To bend the duct excessively B) To bend the duct too many times C) To reduce the duct diameter



3. FXDQ - Slim Ceiling Mounted Duct Type -

3.1 KDT25N32-50-63 — Installation Kit for High Humidity

Daikin Air Conditioners Insulation kit for high humidity application Installation manual

KDT25N32 • KDT25N50 • KDT25N63

Caution : Read this installation manual carefully before installing this kit.

Caution

- This kit can be installed to the Ceiling mounted Built-in Type Air Conditioners, <Slim duct type>
- When the Installation box for adapter PCB(KPP1B101) is used together, mount this kit before installation box.
- It is recommended to mount this kit before installing the indoor unit.

Combination table

Kit	KDT25N32	KDT25N50	KDT25N63
Applicable Model	FXDQ07,09,12MVJU	FXDQ18MVJU	FXDQ24MVJU

Details of parts

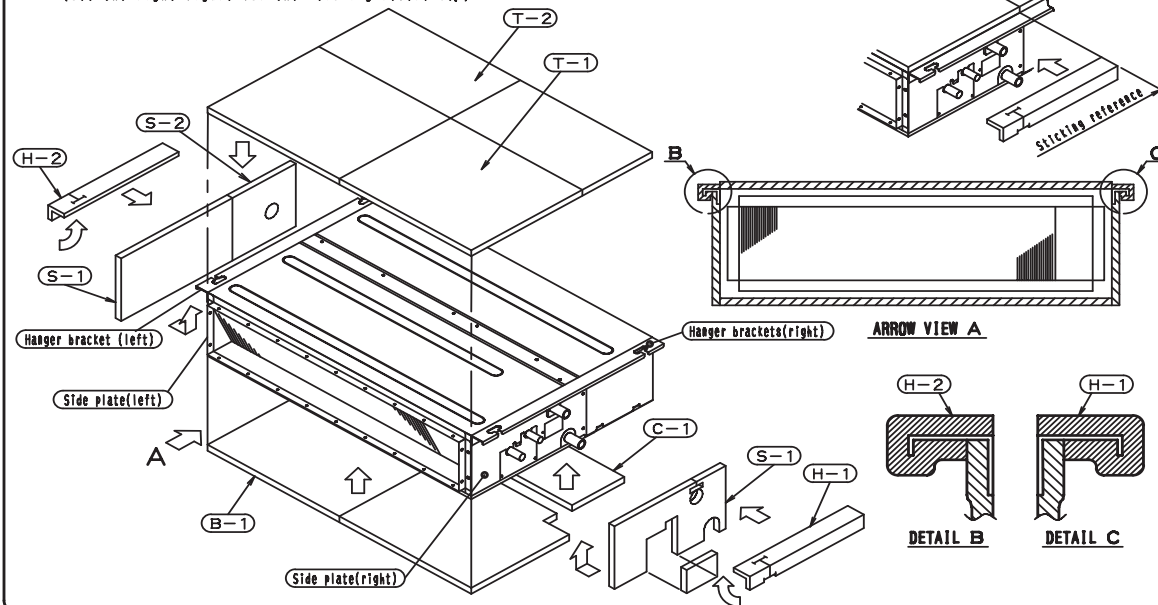
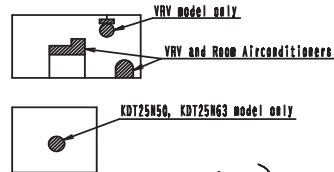
Designation	① Top plate insulation (T-1)	② Top plate insulation (T-2)	③ Side plate insulation (S-1)	④ Side plate insulation (S-2)
Shape				
Number of pieces	1 pc.	1 pc.	2 pcs.	1 pc.
Designation	⑤ Bottom plate insulation (B-1)	⑥ Chamber cover insulation (C-1)		
Shape				
Number of pieces	1 pc.	1 pc.		
Designation	⑦ Hanger (right) insulation (H-1)	⑧ Hanger (left) insulation (H-2)	⑨ Installation manual	
Shape				(This instruction)
Number of pieces	1 pc.	1 pc.	1 pc.	

1 How to attach When moving the unit at or after opening, hold the unit by the hanger brackets. Do not apply force to the refrigerant piping, drain piping or flange parts.

<Procedure> Stick the insulations carefully according to the following procedures and do not make a gap between the adjacent thermal insulations.

- (1) Stick the top plate insulation (T-1, T-2) to the indoor unit top plate.
- (2) Cut off the side plate insulation (S-1) following the score. (See the right figure)
- (3) Stick the side plate insulation (S-1) to the indoor unit right side plate.
- (4) Stick the side plate insulation (S-2) to the indoor unit left side plate without cutting off the area surrounded by the score.
- (5) Stick the side plate insulation (S-2) to the indoor unit left side plate.
- (6) Stick the bottom plate insulation (B-1) to the indoor unit bottom plate.
- (7) Stick the chamber cover insulation (C-1) to the indoor unit chamber cover.
- (8) Stick the hanger (left) insulation (H-2) and the hanger (right) insulation (H-1) respectively to the left and right hangers respectively. (See the right figure for the sticking reference.)

Cut off the area shown with oblique lines and throw it away.



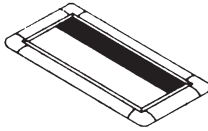
4. FXSQ - Ceiling Mounted Built-In Type -

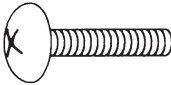
4.1 BYBS32·45·71·125DJW1 — Decoration panel

Panel Unit	BYBS32DJW1	BYBS45DJW1	BYBS71DJW1	BYBS125DJW1
Model	FXSQ09/12MVJU	FXSQ18MVJU	FXSQ24MVJU	FXSQ30,36,48MVJU

① Check of the parts

- The box contains this manual and the parts listed below.

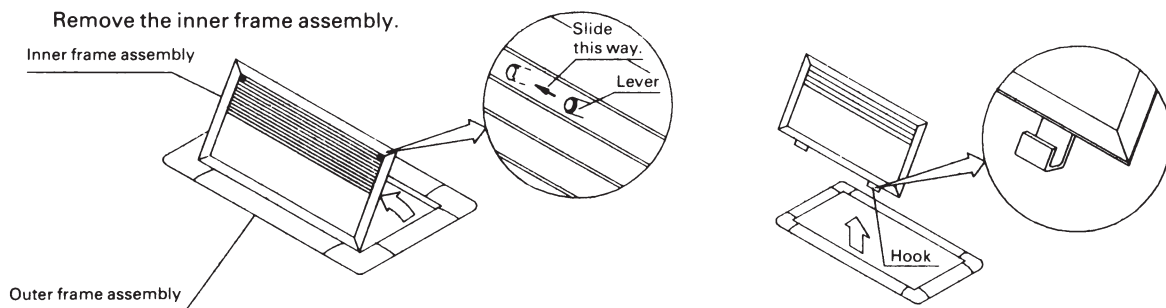
Item	Description	Quantity
Decoration panel		1 set

Item	Description	Quantity
Decoration panel fixing screw	 M5 × 40	4 pcs.

② Preparing the decoration panel

- Handle the suction panel with care.

< Never lean the panel against a wall, etc. nor leave it on a projecting object. (For preventions of dents or damages to the panel surface.) >



Slide the lever, then pull up and unhook the inner frame assembly.

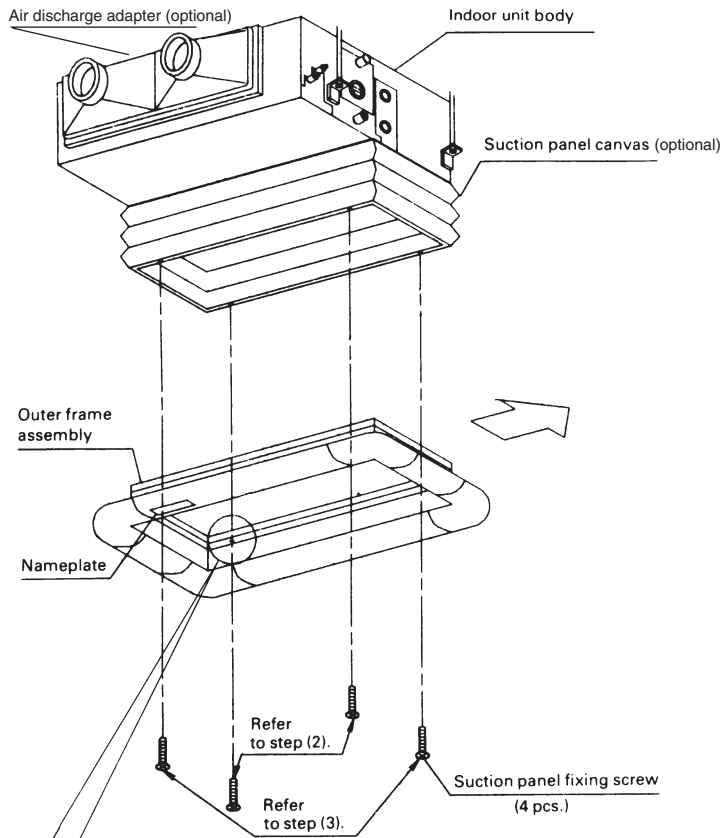
(B0283)

③ Installing the outer frame assembly

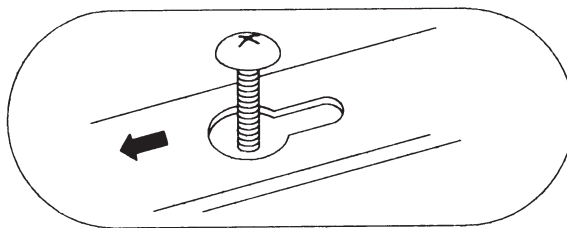
- This decoration panel can be installed to the air-conditioner body either directly or using a canvas for decoration panel (optional).

1. For installation using the decoration panel canvas

Read also the instruction manual accompanying the decoration panel canvas.

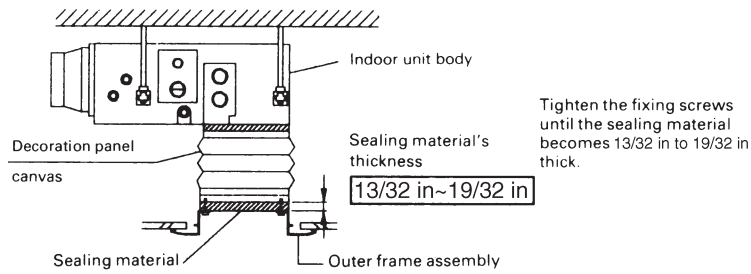


- (1) Install the decoration panel canvas to the indoor unit body. (Make the tightening length of the screws about 13/32 in.)
- (2) Mount two suction decoration panel fixing screws to the decoration panel canvas and temporarily tighten them.
- (3) Move the outer frame assembly in the direction of the arrow to rest it on the two screws temporarily.



(B0284)

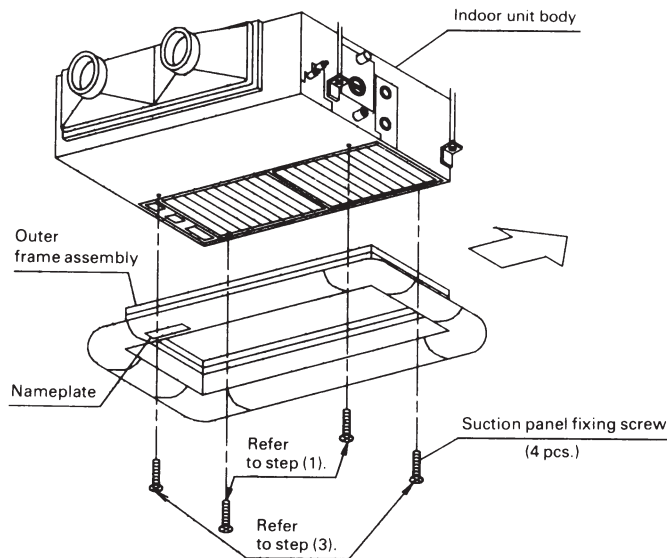
- (4) Install the remaining two screws to the suction panel canvas and tighten all four screws securely until the sealing material becomes 13/32" to 19/32" thick.



- (5) Use the chain and turnbuckle supplied for the decoration panel canvas to make no gap between the canvas and the ceiling

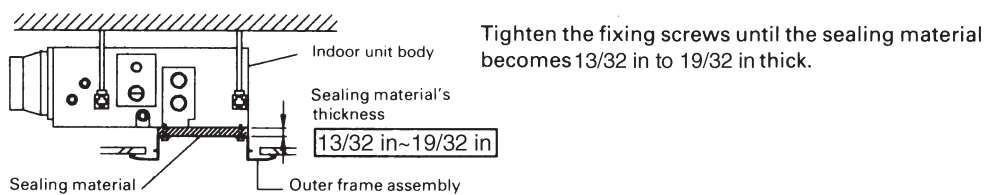
Install the suction panel and decoration panel to the indoor unit body in the correct direction with the nameplate on the panel coming to the position as shown in the following figure:

For direct installation



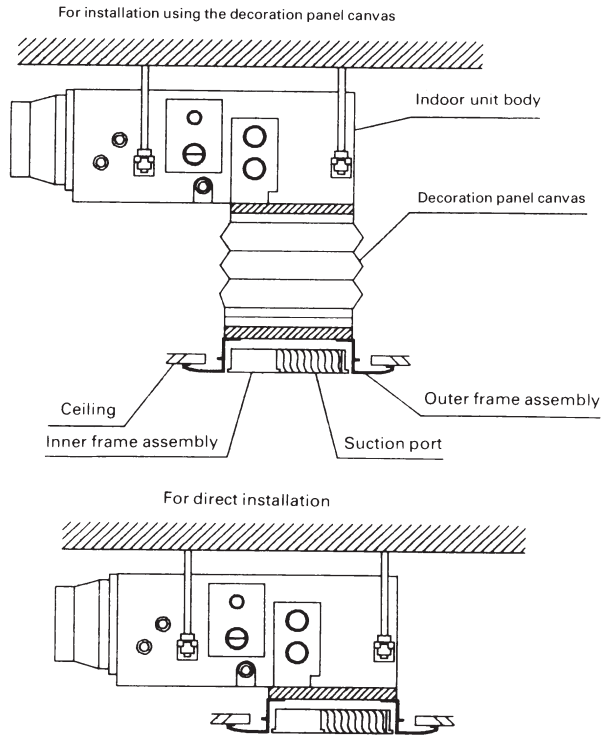
- (1) Mount two decoration panel fixing screws to the indoor unit body and tighten them temporarily. (Make the tightening length of the screws about 13/32 in.)
- (2) Move the outer frame assembly in the direction of the arrow to rest it on the two screws temporarily.
- (3) Install the outer frame assembly by following the steps (3) and (4) in "1. For installation using the decoration panel canvas".

Note: In case there is a gap between the decoration panel and the ceiling, adjust the height of the indoor unit (Refer to the indoor unit installation manual.)

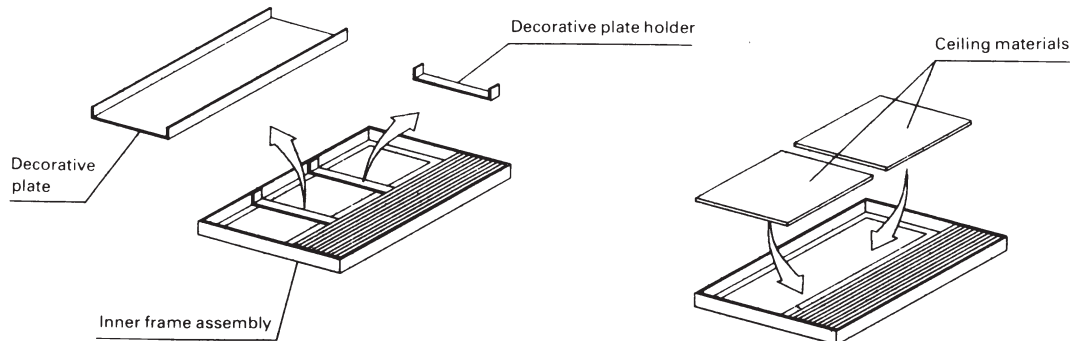


④ Installing the inner frame assembly

- Install the inner frame assembly to the outer frame assembly by following the reverse steps mentioned in "2. Preparing the decoration panel".



< Ceiling materials can be attached to the inner frame assembly. For their installation, take the following steps. >



- (1) Remove the decorative plate holder from the inner frame assembly.
- (2) Remove the decorative plate and place the ceiling materials instead.
- (3) Using the decorative panel holder removed in the step (1), fix the ceiling material.

Note:

Installation of the ceiling materials makes the decorative panel unnecessary.

Ensure that the ceiling tile material does not exceed 2/3" thickness.

(B0286)

4.2 KTB25K36-56-80-160W — Service Access Panel

KTB25K36W



Dimensions		Unit:in
Model	A	Ceiling opening
KTB25K36W	24-21/32	23-27/32 × 26-25/32
KTB25K56W	30-9/16	29-3/4 × 26-25/32
KTB25K80W	42-3/8	41-9/16 × 26-25/32
KTB25K160W	58-1/8	57-5/16 × 26-25/32

- The inspection hatch can be made to look nice with the service access panel.
- Thin 1/3" design for the exposed part.

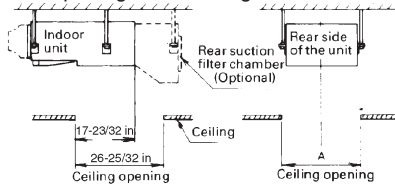
Item	Model	KTB25K36W	KTB25K56W	KTB25K80W	KTB25K160W
Main applicable models		FXSQ12MVJU	FXSQ18MVJU	FXSQ24MVJU	FXSQ30-36-48 MVJU
Color		White			
Accessories		Installation manual			
Weight (Lbs)		13.2	14.3	20	24

Caution

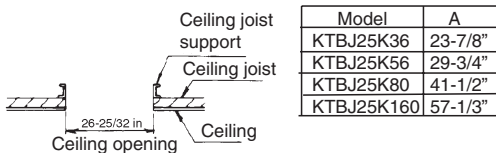
- Ceiling joist and ceiling joist support required. (Locally procured.)

BEFORE INSTALLATION:

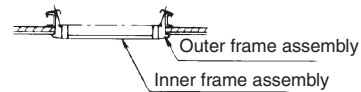
1. Make an opening in the ceiling.



2. Install ceiling joist supports to fit the ceiling opening.



3. Install the inner frame assembly on the outer frame assembly.



The ceiling board can be installed into the inner frame assembly as follows:

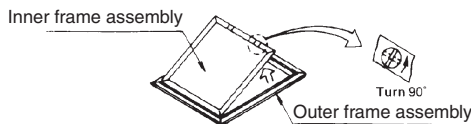
1. Remove decoration panel retainer from the inner frame assembly.
2. Remove the decoration panel and substitute with the ceiling board.
3. Set the ceiling board by the retainer removed in step 1 above.

CAUTION:

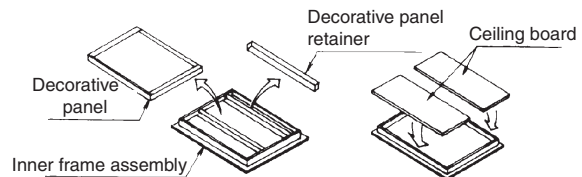
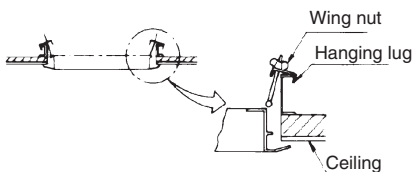
When the ceiling board is installed, the decoration panel is not needed.

INSTALLATION:

1. Remove inner frame assembly which can be removed by turning the retainer 90° with a screwdriver.



2. Install outer frame assembly on the ceiling by hooking the hanging lug on the ceiling joist support, and then tightening the wing nut to fix the frame assembly.



(B0287)

4.3 KAFJ252L36-56-80-160 / KAFJ253L36-56-80-160 — High-Efficiency Filter (Excluding Filter Chamber)

KAFJ252L56



Dimensions

Unit:in

Model		A
KAFJ252L36	KAFJ253L36	19-11/16
KAFJ252L56	KAFJ253L56	25-19/32
KAFJ252L80	KAFJ253L80	17-5/8 x 1 19-3/4 x 1
KAFJ252L160	KAFJ253L160	27-15/32 x 1 25-21/32 x 1

- Cannot be water washed for reuse.
- Bottom return:
The Filter Chamber (for High efficiency filter) (KAJ25L36D · 56D · 80D · 160D) is required when the high efficiency filter is installed.
- Rear return:
The Filter Chamber (for high-efficiency filter) (KAJ25L36B · 56B · 80B · 160B) is required when the high-efficiency filter is installed.

65 (colorimetric method)

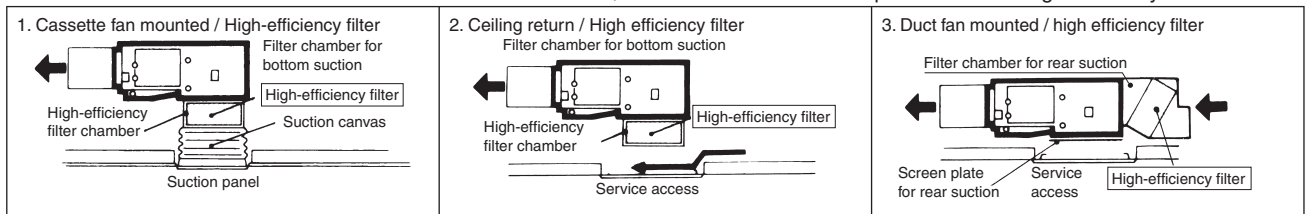
Model	KAFJ252L36	KAFJ252L56	KAFJ252L80	KAFJ252L160
Item				
Airflow rate CFM	318	494	671	1342
Average efficiency (%)	65 (colorimetric method)			
Initial pressure loss ("Wg)	0.05 or less	0.56 or less	0.56 or less	0.09 or less
Final pressure loss ("Wg)	0.39			
Life (h)	2,500 (dust concentration 0.15 mg/m ³)			
Filter element	Flame-resistant type (with mildew-proof)			
Number of sheets included	1	1	2 (each 1)	2 (each 1)
Mass (Lbs)	1.1	1.3	2	3
Applicable Indoor Units	FXSQ12MVJU	FXSQ18MVJU	FXSQ24MVJU	FXSQ30,36,48 MVJU

MERV-13




Model	KAFJ253L36	KAFJ253L56	KAFJ253L80	KAFJ253L160
Item				
Airflow rate CFM	318	494	671	1342
Efficiency	MERV-13			
Initial pressure loss ("Wg)	0.09 or less	0.11 or less	0.11 or less	0.15 or less
Final pressure loss ("Wg)	0.45			
Life (h)	1,800 (dust concentration 0.15 mg/m ³)			
Filter element	Flame-resistant type (mildew proof)			
Number of sheets included	1	1	2 (each 1)	2 (each 1)
Mass (Lbs)	1.1	1.3	2	3
Applicable Indoor Units	FXSQ12MVJU	FXSQ18MVJU	FXSQ24MVJU	FXSQ30,36,48 MVJU

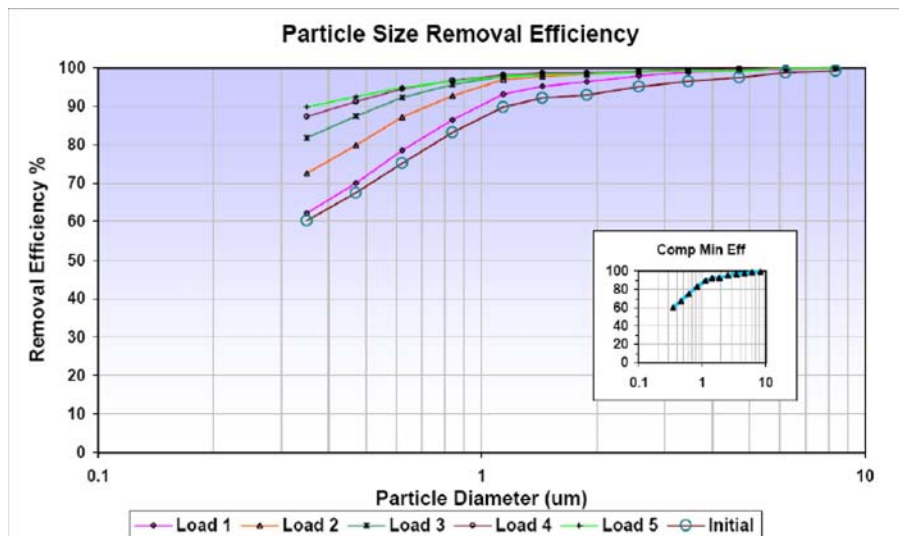
Installation

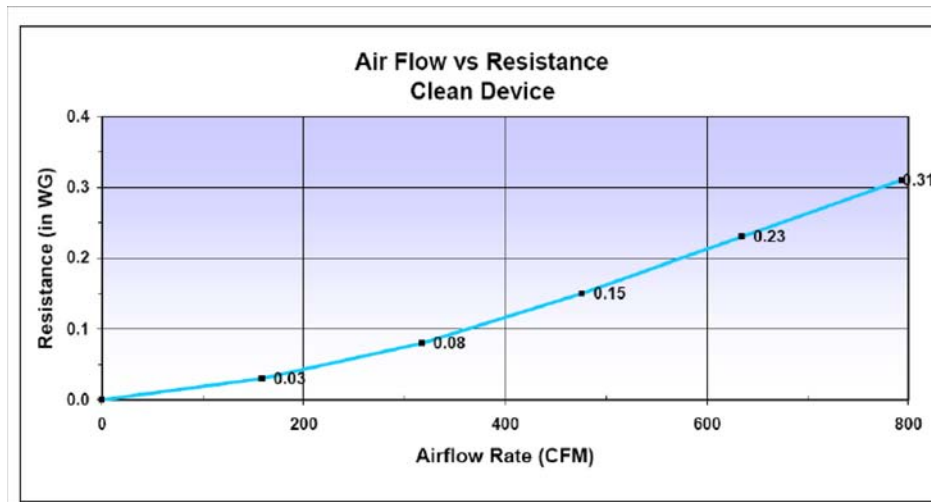
Note) • The filter chamber is required when the high efficiency filter is installed.



* For applicable ASHRAE 52.2 MERV ratings, refer to the following 2 pages.

 <p>2020 S. English Station Road - Louisville, KY 40299 Tel: (502) 357-0132 Fax (502) 267-8379</p>	Date: 19-Dec-07 TEST NO. 07-1243																	
	<h3>ASHRAE Standard 52.2-2007 TEST REPORT</h3>																	
Filter Description <table border="0" style="width: 100%;"> <tr> <td style="width: 50%;"> Manufacturer Filter Model Part Number Generic Filter Type Nominal Dimensions (H x W x D) Pocket / Pleat Quantity Media Type Est. Gross Media Area Adhesive Type </td> <td style="width: 50%; vertical-align: top;"> Daikin FXSQ12-48MVJU KAFJ253L ESNS-F 14.5"x25.63"x1" 80 Pleats Standard Standard N A </td> </tr> </table>			Manufacturer Filter Model Part Number Generic Filter Type Nominal Dimensions (H x W x D) Pocket / Pleat Quantity Media Type Est. Gross Media Area Adhesive Type	Daikin FXSQ12-48MVJU KAFJ253L ESNS-F 14.5"x25.63"x1" 80 Pleats Standard Standard N A														
Manufacturer Filter Model Part Number Generic Filter Type Nominal Dimensions (H x W x D) Pocket / Pleat Quantity Media Type Est. Gross Media Area Adhesive Type	Daikin FXSQ12-48MVJU KAFJ253L ESNS-F 14.5"x25.63"x1" 80 Pleats Standard Standard N A																	
																		
Test Conditions <table border="0" style="width: 100%;"> <tr> <td style="width: 33%;">Loading Dust Type</td> <td style="width: 33%;">ASHRAE</td> <td style="width: 33%;">Test Air Temp (degrees F.)</td> <td style="width: 15%;">70</td> </tr> <tr> <td>Barometric Pressure (In. Hg.)</td> <td>29.52</td> <td>Relative Humidity (%)</td> <td>32</td> </tr> </table>			Loading Dust Type	ASHRAE	Test Air Temp (degrees F.)	70	Barometric Pressure (In. Hg.)	29.52	Relative Humidity (%)	32								
Loading Dust Type	ASHRAE	Test Air Temp (degrees F.)	70															
Barometric Pressure (In. Hg.)	29.52	Relative Humidity (%)	32															
Test Results <table border="0" style="width: 100%;"> <tr> <td style="width: 70%;">Airflow Rate (CFM)</td> <td style="width: 30%;">635</td> </tr> <tr> <td>Nominal Face Velocity (fpm)</td> <td>246</td> </tr> <tr> <td>Initial Resistance (in WG)</td> <td>0.23</td> </tr> <tr> <td>Final Resistance (in WG)</td> <td>1.00</td> </tr> <tr> <td>E1 (%) Composite Minimum Avg. Efficiency 0.30 - 1.0 um</td> <td>71</td> </tr> <tr> <td>E2 (%) Composite Minimum Avg. Efficiency 1.0 - 3.0 um</td> <td>92</td> </tr> <tr> <td>E3 (%) Composite Minimum Avg. Efficiency 3.0 - 10.0 um</td> <td>98</td> </tr> <tr> <td>Minimum Efficiency Reporting Value (MERV)</td> <td style="text-align: right;">MERV 13 @ 635 CFM</td> </tr> </table>			Airflow Rate (CFM)	635	Nominal Face Velocity (fpm)	246	Initial Resistance (in WG)	0.23	Final Resistance (in WG)	1.00	E1 (%) Composite Minimum Avg. Efficiency 0.30 - 1.0 um	71	E2 (%) Composite Minimum Avg. Efficiency 1.0 - 3.0 um	92	E3 (%) Composite Minimum Avg. Efficiency 3.0 - 10.0 um	98	Minimum Efficiency Reporting Value (MERV)	MERV 13 @ 635 CFM
Airflow Rate (CFM)	635																	
Nominal Face Velocity (fpm)	246																	
Initial Resistance (in WG)	0.23																	
Final Resistance (in WG)	1.00																	
E1 (%) Composite Minimum Avg. Efficiency 0.30 - 1.0 um	71																	
E2 (%) Composite Minimum Avg. Efficiency 1.0 - 3.0 um	92																	
E3 (%) Composite Minimum Avg. Efficiency 3.0 - 10.0 um	98																	
Minimum Efficiency Reporting Value (MERV)	MERV 13 @ 635 CFM																	
Comments Tested For: AAF International Dust Fed (gms) to Final Resistance: 36																		





Data - Initial Resistance

Airflow (CFM)	Resistance (in WG)
0	0.00
159	0.03
318	0.08
476	0.15
635	0.23
794	0.31

Data - Particle Removal Efficiency

Particle Size Range (µm)	Geometric Mean Diam (µm)	Particle Removal Efficiency (%)							
		CME	Initial	Load 1	Load 2	Load 3	Load 4	Load 5	
0.30 - 0.40	0.35	60.2	60.2	62.1	72.6	81.7	87.3	89.7	
0.40 - 0.55	0.47	67.5	67.5	70.0	79.7	87.3	91.2	92.4	
0.55 - 0.70	0.62	75.1	75.1	78.5	87.1	92.3	94.5	94.8	
0.70 - 1.00	0.84	83.1	83.1	86.4	92.7	95.6	96.6	96.4	
1.00 - 1.30	1.14	89.7	89.7	93.1	96.9	97.7	98.1	97.7	
1.30 - 1.60	1.44	92.1	92.1	95.1	97.8	98.4	98.5	98.1	
1.60 - 2.20	1.88	92.8	92.8	96.4	98.3	98.5	98.6	98.2	
2.20 - 3.00	2.57	95.0	95.0	97.8	98.9	99.1	99.0	98.8	
3.00 - 4.00	3.46	96.5	96.5	98.8	99.2	99.3	99.3	99.2	
4.00 - 5.50	4.69	97.4	97.4	99.1	99.5	99.5	99.6	99.2	
5.50 - 7.00	6.20	98.7	98.7	99.6	99.8	99.7	99.9	99.8	
7.00 - 10.00	8.37	99.2	99.2	99.7	100.0	99.9	99.9	99.8	
		CME	Initial	Load 1	Load 2	Load 3	Load 4	Load 5	
Resistance after Dust Load (in WG) ----->				0.27	0.42	0.62	0.81	1.00	
Dust Load (gms) ----->				5	17	25	31	36	

4.4 KAFJ251K36-56-80-160 — Replacement Long-Life Filter

KAFJ251K36



Dimensions **Unit:in**

Model	A-B
KAFJ251K36	19-29/32 × 14-27/32
KAFJ251K56	25-13/16 × 14-27/32
KAFJ251K80	19-29/32 × 14-27/32 17-3/4 × 14-27/32
KAFJ251K160	27-19/32 × 14-27/32 25-13/16 × 14-27/32

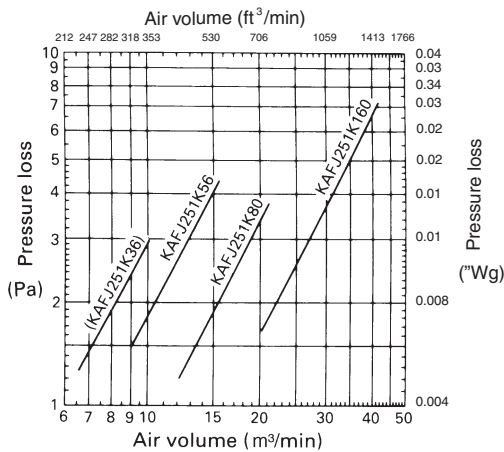
Specifications

Item	Model	KAFJ251K36	KAFJ251K56	KAFJ251K80	KAFJ251K160
Average Efficiency (%)		50% (Gravity method)			
Pressure Loss ("Wg)	Initial	0.019 or less			
	Final	0.20			
Materials		Mildew Proof Resin Net			
Number Required per Model		1	1	2	2
Life Time (h)		2,500 hours (dust particle concentration at 0.15 mg/m ³)			
Applicable Model		FXSQ12MVJU	FXSQ18MVJU	FXSQ24MVJU	FXSQ30-36-48MVJU

Note:

The filter models for FXSQ12-18MVJU can be used also as Rear-suction types.

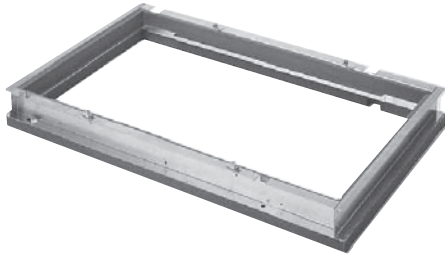
Characteristics of filter



(V0741)

4.5 KAJ25L36·56·80·160D — Filter Chamber for Bottom Suction

KAJ25L56D



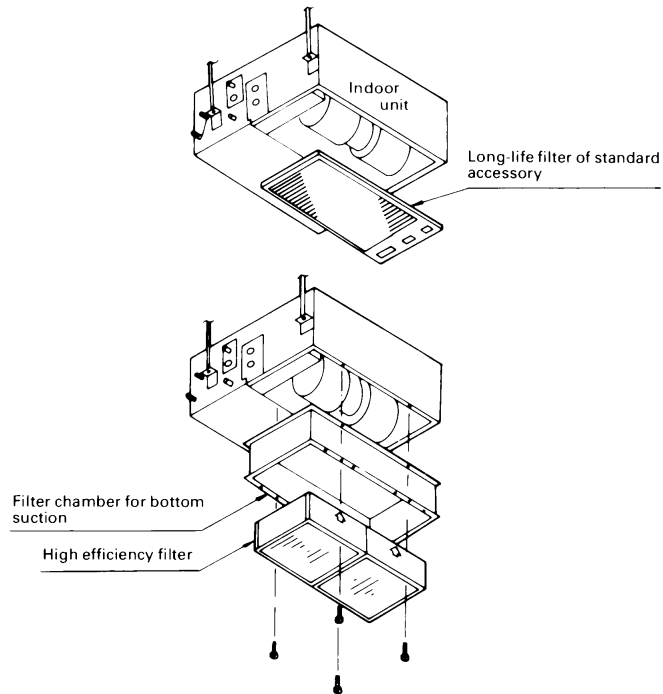
Dimensions **Unit:in**

unit:(in)	
Model	A
KAJ25L36D	21-21/32
KAJ25L56D	27-9/16
KAJ25L80D	39-3/8
KAJ25L160D	55-1/8

- Filter replacement is easily performed.

Item		Model	KAJ25L36D	KAJ25L56D	KAJ25L80D	KAJ25L160D
Inserted filter	65 (colorimetric method)		KAFJ252L36	KAFJ252L56	KAFJ252L80	KAFJ252L160
	MERV-13		KAFJ253L36	KAFJ253L56	KAFJ253L80	KAFJ253L160
Mass (Lbs)			5	6.1	8	9
Component parts			Filter chamber, Panel attachment plate, Screws, Installation manual			
Applicable Models			FXSQ12MVJU	FXSQ18MVJU	FXSQ24MVJU	FXSQ30,36,48 MVJU

Installation

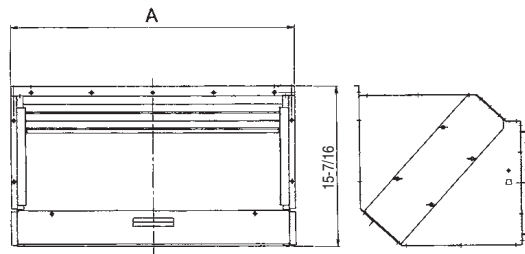


4.6 KAJ25L36-56-80-160B — Filter Chamber for Rear Suction

KAJ25L56B



Dimensions



Unit:in

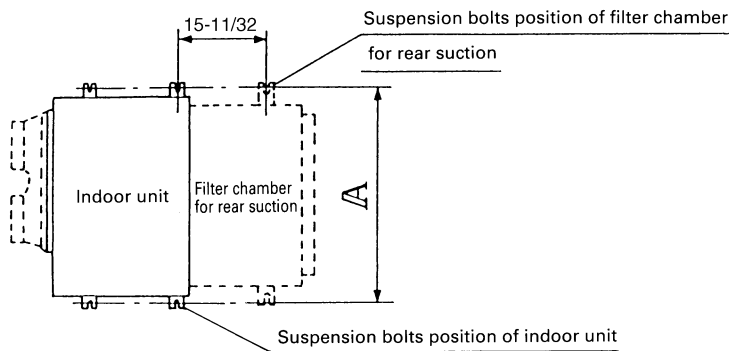
Model	A
KAJ25L36B	21-21/32
KAJ25L56B	27-9/16
KAJ25L80B	39-3/8
KAJ25L160B	55-1/8

- May be used with either the long-life filter or the high-efficiency filter.
- The suction duct can also be connected.

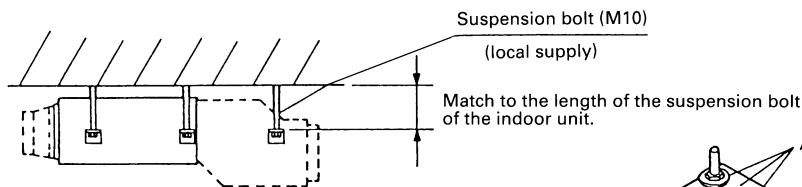
		Model	KAJ25L36B	KAJ25L56B	KAJ25L80B	KAJ25L160B
Item	Width		18-1/2	24-13/32	36-7/32	51
	Length		9-27/32			
Inserted filter	65 (colorimetric method)		KAFJ252L36	KAFJ252L56	KAFJ252L80	KAFJ252L160
	MERV-13		KAFJ253L36	KAFJ253L56	KAFJ253L80	KAFJ253L160
Mass (Lbs)			18	22	31	35.2
Component parts			Filter chamber, Screen plate for rear suction, Washer for suspension bracket, Screws, Installation manual			
Applicable Models			FXSQ12MVJU	FXSQ18MVJU	FXSQ24MVJU	FXSQ30,36,48 MVJU

Preparation before installation

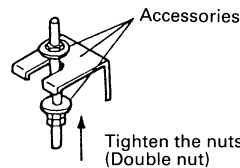
- ① Set the suspension bolts in position.
(Location of the suspension bolts)



Kit name	A
KAJ25L36B	23-5/8 in
KAJ25L56B	29-17/32 in
KAJ25L80B	41-11/32 in
KAJ25L160B	57-3/32 in



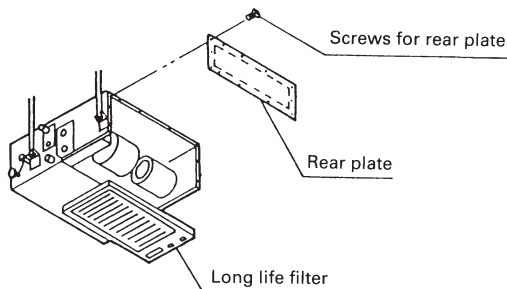
Set the hole-in anchor for the existing building and embedded inserts or embedded anchors for new building, which can support the weight sufficiently.



(B0307)

Installation of filter chamber

① Remove the long life filter and the rear plate of the indoor unit.

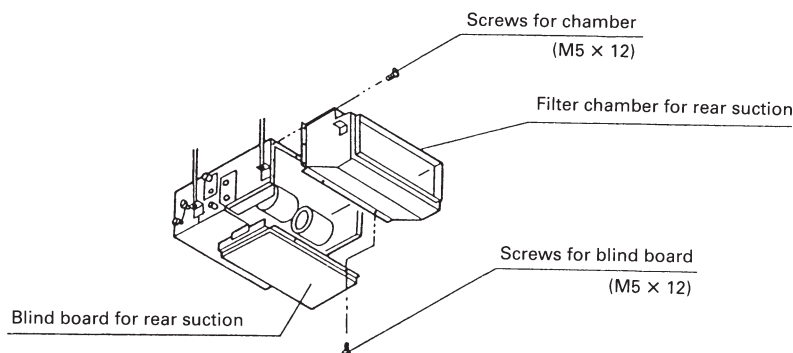


② Set the filter chamber for rear suction to the suspension bolts with nut and the washer temporarily.

③ Fasten the filter chamber for rear suction to the indoor unit tightly.

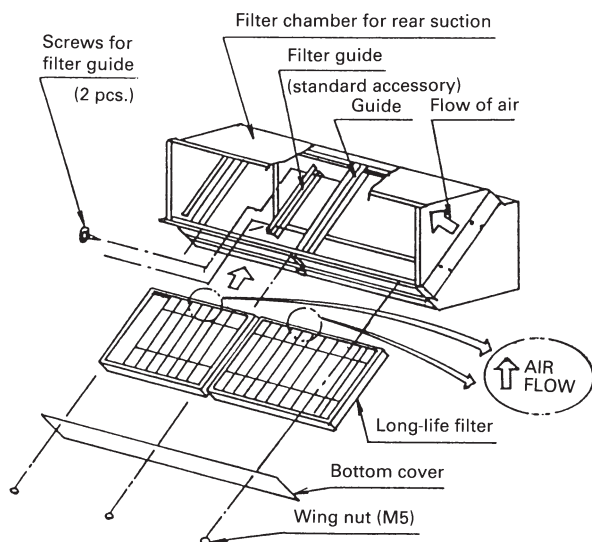
④ Fix the filter chamber for rear suction to the suspension bolts tightly.

⑤ Install the blanking plate to the bottom of the indoor unit with screws.



Installation of the filter

When the long life filter is used.



(Procedure)

(When the maintenance of the filter is carried out from the bottom)

(The long-life filter of standard accessory shall be used.)

(1) Remove the bottom cover.

(2) Install the filter guide with 2 screws to the center of the guide of the filter chamber.

(only for 3-5/32 in and 6-5/16 in model)

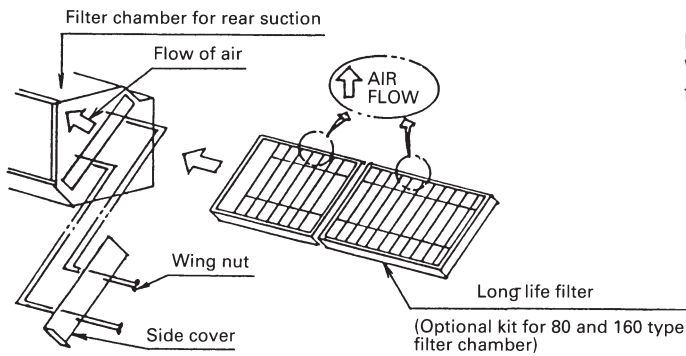
(3) Install the long-life filter to the rail closest to the air intake.

Caution

Match the arrow mark of the long-life filter to the flow of the air.

(4) Install the bottom cover.

(B0308)



Procedure

When maintenance of filter is carried out from the side: (Refer to table for type of long-life filter.)

- (1) Remove the side cover.
- (2) Install the long life filter to the rail of the guide of the leeward.

Caution

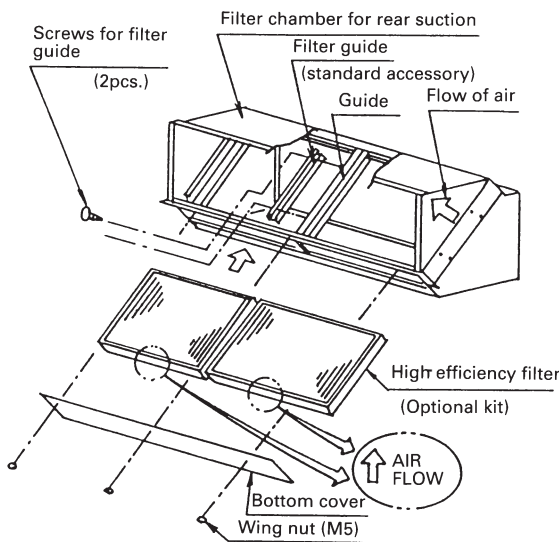
Match the arrow mark of the long life filter to the flow of the air.

- (3) Install the side cover.

Kit name	KAJ25L36B	KAJ25L56B	KAJ25L80B	KAJ25L160B
Long life filter	Long life filter of standard accessories shall be used.		KAFJ259L80	KAFJ259L160

When the high efficiency filter (optional kit) is used.

Kit name	KAJ25L36B	KAJ25L56B	KAJ25L80B	KAJ25L160B
High efficiency filter kit	65%	KAFJ252L36	KAFJ252L56	KAFJ252L80
	MERV-13	KAFJ253L36	KAFJ253L56	KAFJ253L80



Procedure

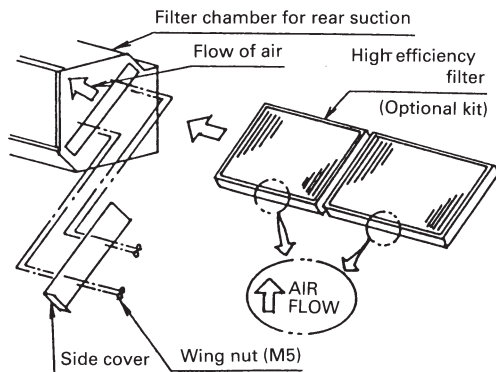
When maintenance of filter is carried out from the bottom:

- (1) Remove the bottom cover.
- (2) Install the filter guide with 2 screws to the center of the guide of the filter chamber. (Only for 80 and 160 model)
- (3) Install the high-efficiency filter to the rail closest to the air intake.

Caution

Match the arrow mark of the high efficiency filter to the flow of the air.

- (4) Install the bottom cover.



(Procedure)

(When the maintenance of the filter is carried out from the side.)

(Refer to the following table for the type of long life filter.)

- (1) Remove the side cover.
- (2) Install the high-efficiency filter to the rail closest to the air intake.

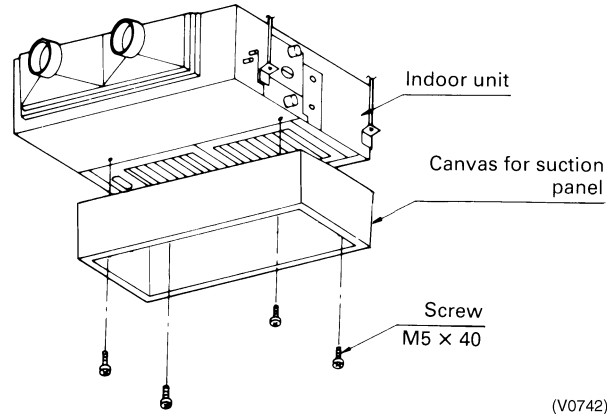
Caution

Match the arrow mark of the high efficiency filter to the flow of the air.

- (3) Install the side cover.

3P012458

4.7 KSA-25K36-56-80-160 — Canvas Duct (Air Suction Canvas) Installation



KSA-25K80



Dimensions Unit:in

Model	A	B	C	D
KSA-25K36	21-21/32	20-1/4	4-29/32	8-27/32
KSA-25K56	27-9/16	26-5/32	7-7/8	11-13/16
KSA-25K80	39-3/8	37-15/16	13-25/32	17-23/32
KSA-25K160	55-1/8	53-11/16	21-21/32	25-19/32

- Can be attached so that there is no gap in the ceiling using the included turn buckle.

Item	Model	KSA-25K36	KSA-25K56	KSA-25K80	KSA-25K160
Canvas duct		Flame retardant			
Mass (Lbs)		4	5	6.1	8
Component parts		Air suction canvas, Turn buckle · Mounting screw, Adjustment plate, Installation manual			
Applicable model		BYBS32DJW1	BYBS45DJW1	BYBS71DJW1	BYBS125DJW1
Applicable indoor model		FXSQ12MVJU	FXSQ18MVJU	FXSQ24MVJU	FXSQ30,36,48 MVJU

4.8 KBBJ25K36-56-80-160 — Screening Door

KBBJ25K36

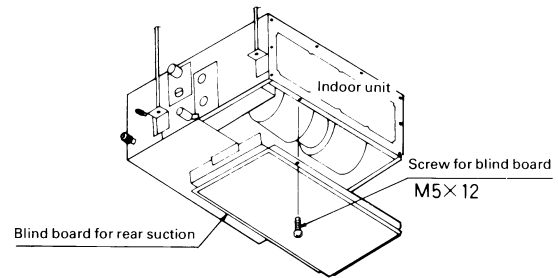
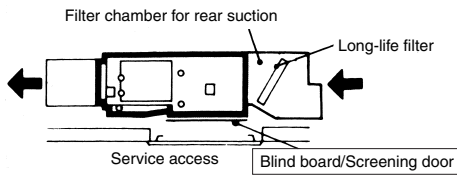


- Screens the bottom intake vent.

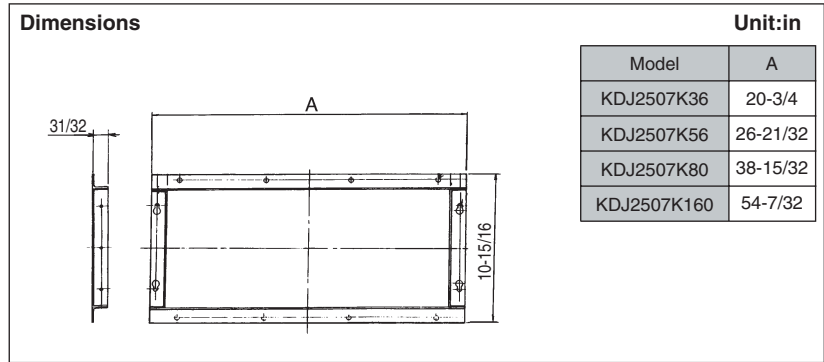
Dimensions		Unit:in
	Model	A
	KBBJ25K36	21-1/16
	KBBJ25K56	26-31/32
	KBBJ25K80	38-25/32
	KBBJ25K160	54-17/32

Item	Model	KBBJ25K36	KBBJ25K56	KBBJ25K80	KBBJ25K160
Appearance		Galvanized steel plate			
Mass (Lbs)		4	5	7	10
Component parts		Blind board/Screening door, Screws, Installation manual			
Applicable model		FXSQ12MVJU	FXSQ18MVJU	FXSQ24MVJU	FXSQ30-36-48MVJU

Installation



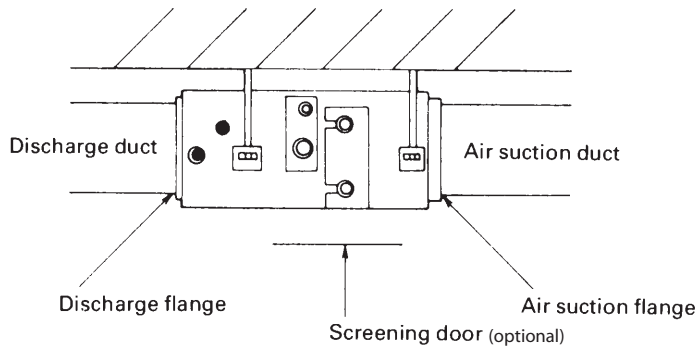
4.9 KDJ2507K36-56-80-160 — Air Suction Flange (Rear Return)



Item	Model	KDJ2507K36	KDJ2507K56	KDJ2507K80	KDJ2507K160
	Size of connecting duct (in)	Width	18-25/32	24-11/16	36-1/2
	Length	8-31/32			
Materials	Galvanized steel plate				
Component parts	Flange for suction, Packing, Screws, Installation Manual				
Applicable model	FXSQ12MVJU	FXSQ18MVJU	FXSQ24MVJU	FXSQ30-36-48MVJU	

Note : When converting an FXSQ indoor unit to rear return, the optional Screening Door is required.

Example of installation



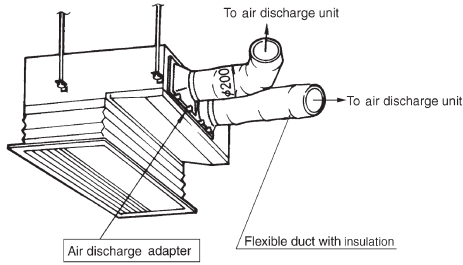
4.10 KDAJ25K36-56-71-140 — Air Discharge Adaptor

KDAJ25K71

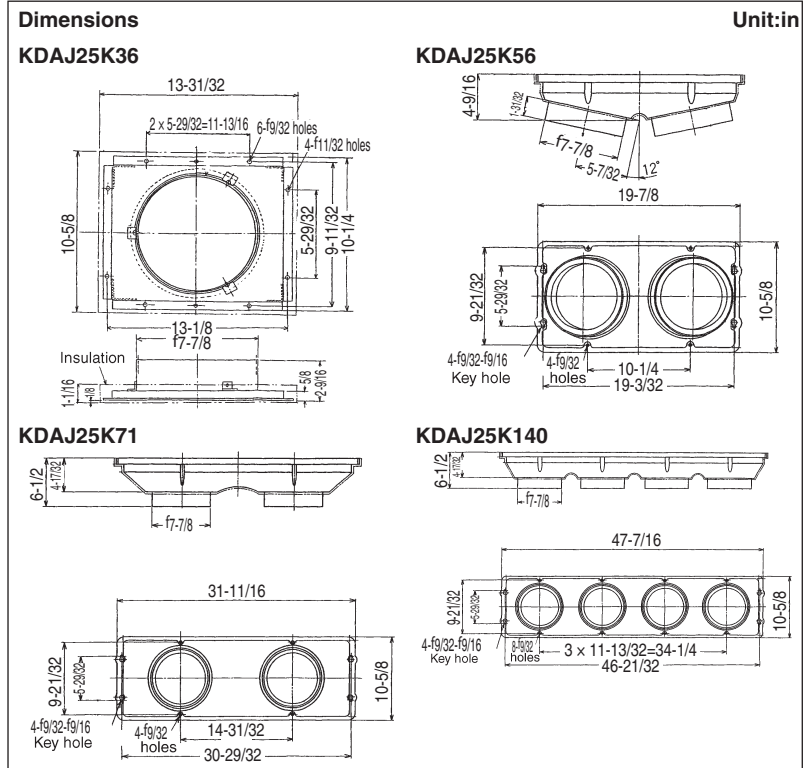


- When the air-discharge adaptor is installed, "flexible duct" is required.
- Pre-insulated to save time on site.

Installation



Item	Model	KDAJ25K36	KDAJ25K56	KDAJ25K71	KDAJ25K140
Duct connection diameter		φ7-7/8x1 port	φ7-7/8x2 port		φ7-7/8x4 port
Material		Steel plate	Resin		
Mass (Lbs)		2.4	2.2	4	5
Component parts		Air discharge adaptor, Screws (except KDAJ25K 36), Installation manual			
Applicable Models		FXSQ12MVJU	FXSQ18MVJU	FXSQ24MVJU	FXSQ30,36,48MVJU



Tools required for the installation

Screw driver ⊕

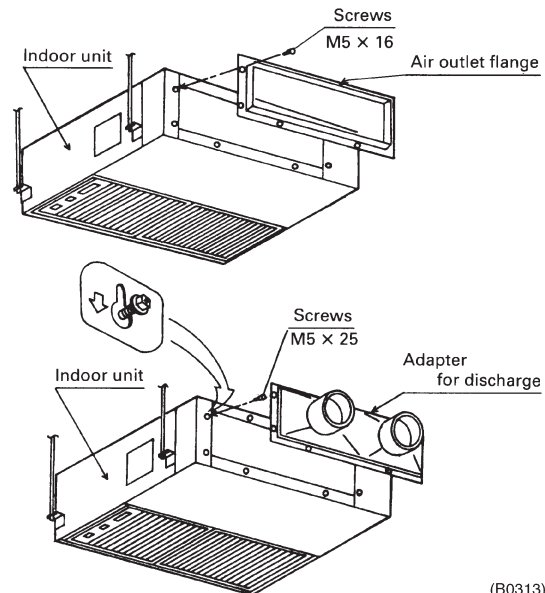
Installation of the adapter for discharge

- 1) Remove the air outlet flange from the indoor unit.
- 2) Attach the adapter for discharge to the indoor unit.

Set the screws in two locations of the indoor unit and fasten them temporarily. Leave 25/32".
Temporarily hook the adaptor for discharge on the screws, and then fasten all the screws.

Cautions for the installation

Fasten the screws tightly leaving no gap between the indoor unit and the discharge adaptor.



(B0313)

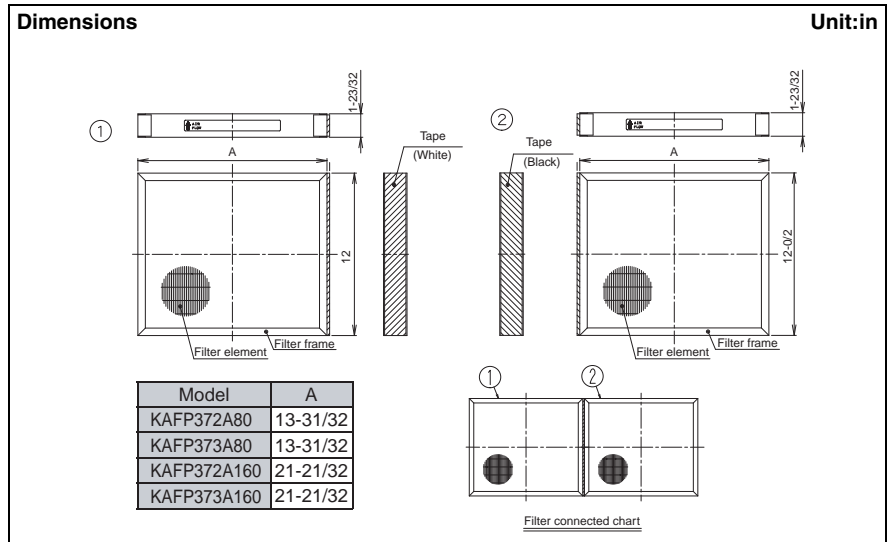
5. FXMQ

- Ceiling Mounted Duct Type -

5.1 KAFP372A80-160 / KAFP373A80-160

— High-Efficiency Filter

KAFP372A80






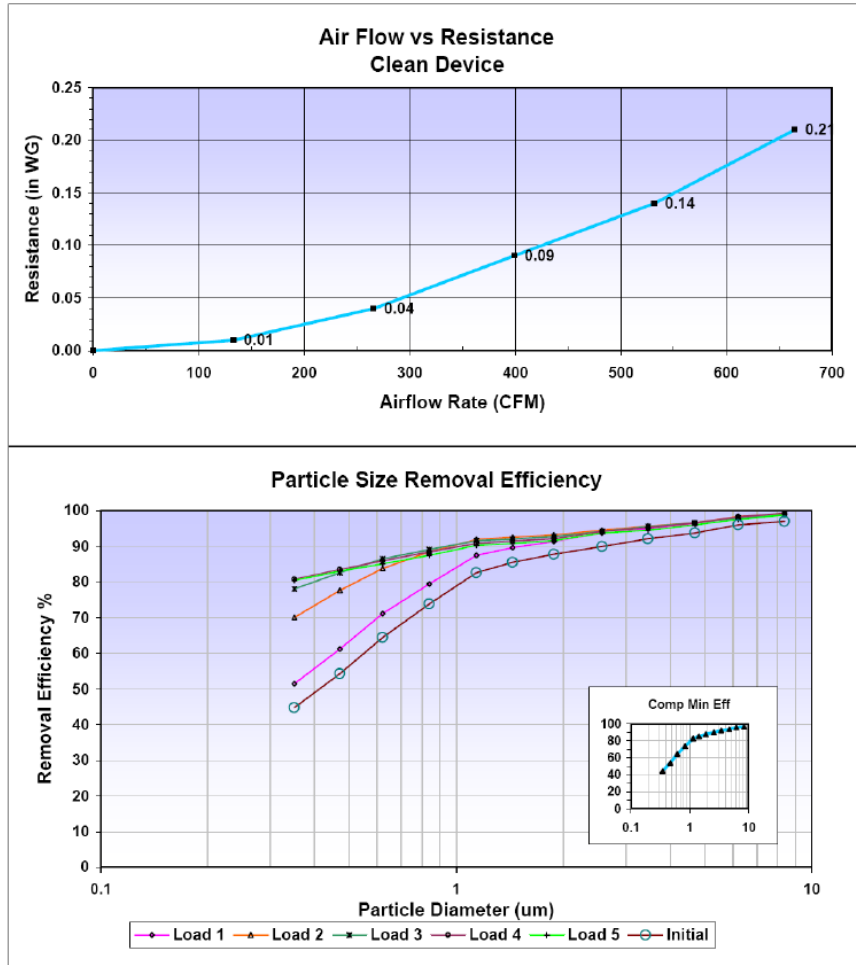
Specification

Items	Model	65% type			90% type		
		KAFP372A80	KAFP372A160		KAFP373A80	KAFP373A160	
Filter Chamber		KDDFP37A80	KDDFP37A160		KDDFP37A80	KDDFP37A160	
Dimension (WxDxT) (in)		13-31/32×12×1-23/32	21-21/32×12×1-23/32		13-31/32×12×1-23/32	21-21/32×12×1-23/32	
Average Dust Collection Efficiency (%)		Colorimetric method 65%			MERV-12		
Initial Pressure Loss ("Wg)		0.14	0.10	0.15	0.22	0.14	0.22
Final Pressure Loss ("Wg)		0.39			0.39		
Filter		Non-woven fabric of synthetic fiber			Non-woven fabric of synthetic fiber		
Life Time (h)		2500 hours (dust density 0.15mg/m ³)			1800 hours (dust density 0.15mg/m ³)		
Seats Structured		2	2		2	2	
Applicable Models		FXMQ30MVJU	FXMQ36 MVJU	FXMQ48 MVJU	FXMQ30MVJU	FXMQ36 MVJU	FXMQ48 MVJU

Note: The filter chamber is separately required when the high efficiency filter is installed.

* For applicable ASHRAE 52.2 MERV ratings, refer to the following 2 pages.

 <p>2820 S. English Station Road - Louisville, KY 40299 Tel: (502) 357-0132 Fax (502) 267-8379</p>	Date: 1-Dec-07 TEST NO. 07-1242																	
	<h3>ASHRAE Standard 52.2-2007 TEST REPORT</h3>																	
Filter Description <table border="0" style="width: 100%;"> <tr> <td style="width: 50%;"> Manufacturer Filter Model Part Number Generic Filter Type Nominal Dimensions (H x W x D) Pocket / Pleat Quantity Media Type Est. Gross Media Area Adhesive Type </td> <td style="width: 50%; text-align: right;"> Daikin FXMQ30-48MJU KAFP373A ESNP-F 12"x21.63"x2" 115 Pleats Standard Standard N A </td> </tr> </table>			Manufacturer Filter Model Part Number Generic Filter Type Nominal Dimensions (H x W x D) Pocket / Pleat Quantity Media Type Est. Gross Media Area Adhesive Type	Daikin FXMQ30-48MJU KAFP373A ESNP-F 12"x21.63"x2" 115 Pleats Standard Standard N A														
Manufacturer Filter Model Part Number Generic Filter Type Nominal Dimensions (H x W x D) Pocket / Pleat Quantity Media Type Est. Gross Media Area Adhesive Type	Daikin FXMQ30-48MJU KAFP373A ESNP-F 12"x21.63"x2" 115 Pleats Standard Standard N A																	
																		
Test Conditions <table border="0" style="width: 100%;"> <tr> <td style="width: 33%;">Loading Dust Type</td> <td style="width: 33%;">ASHRAE</td> <td style="width: 33%;">Test Air Temp (degrees F.)</td> <td style="width: 15%;">69</td> </tr> <tr> <td>Barometric Pressure (In. Hg.)</td> <td>29.69</td> <td>Relative Humidity (%)</td> <td>28</td> </tr> </table>			Loading Dust Type	ASHRAE	Test Air Temp (degrees F.)	69	Barometric Pressure (In. Hg.)	29.69	Relative Humidity (%)	28								
Loading Dust Type	ASHRAE	Test Air Temp (degrees F.)	69															
Barometric Pressure (In. Hg.)	29.69	Relative Humidity (%)	28															
Test Results <table border="0" style="width: 100%;"> <tr> <td style="width: 70%;">Airflow Rate (CFM)</td> <td style="text-align: right;">532</td> </tr> <tr> <td>Nominal Face Velocity (fpm)</td> <td style="text-align: right;">295</td> </tr> <tr> <td>Initial Resistance (in WG)</td> <td style="text-align: right;">0.14</td> </tr> <tr> <td>Final Resistance (in WG)</td> <td style="text-align: right;">1.00</td> </tr> <tr> <td>E1 (%) Composite Minimum Avg. Efficiency 0.30 - 1.0 um</td> <td style="text-align: right;">59</td> </tr> <tr> <td>E2 (%) Composite Minimum Avg. Efficiency 1.0 - 3.0 um</td> <td style="text-align: right;">86</td> </tr> <tr> <td>E3 (%) Composite Minimum Avg. Efficiency 3.0 - 10.0 um</td> <td style="text-align: right;">95</td> </tr> <tr> <td>Minimum Efficiency Reporting Value (MERV)</td> <td style="text-align: right;">MERV 12 @ 532 CFM</td> </tr> </table>			Airflow Rate (CFM)	532	Nominal Face Velocity (fpm)	295	Initial Resistance (in WG)	0.14	Final Resistance (in WG)	1.00	E1 (%) Composite Minimum Avg. Efficiency 0.30 - 1.0 um	59	E2 (%) Composite Minimum Avg. Efficiency 1.0 - 3.0 um	86	E3 (%) Composite Minimum Avg. Efficiency 3.0 - 10.0 um	95	Minimum Efficiency Reporting Value (MERV)	MERV 12 @ 532 CFM
Airflow Rate (CFM)	532																	
Nominal Face Velocity (fpm)	295																	
Initial Resistance (in WG)	0.14																	
Final Resistance (in WG)	1.00																	
E1 (%) Composite Minimum Avg. Efficiency 0.30 - 1.0 um	59																	
E2 (%) Composite Minimum Avg. Efficiency 1.0 - 3.0 um	86																	
E3 (%) Composite Minimum Avg. Efficiency 3.0 - 10.0 um	95																	
Minimum Efficiency Reporting Value (MERV)	MERV 12 @ 532 CFM																	
Comments Tested For: AAF International Dust Fed (gms) to Final Resistance: 35																		



Data - Initial Resistance

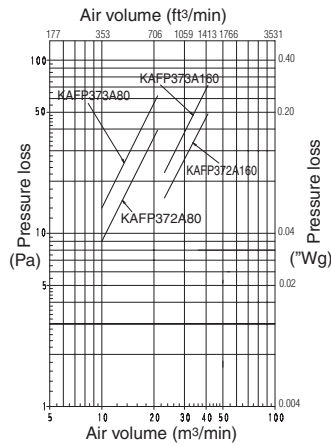
Airflow (CFM)	Resistance (in WG)
0	0.00
133	0.01
266	0.04
399	0.09
532	0.14
665	0.21

Data - Particle Removal Efficiency

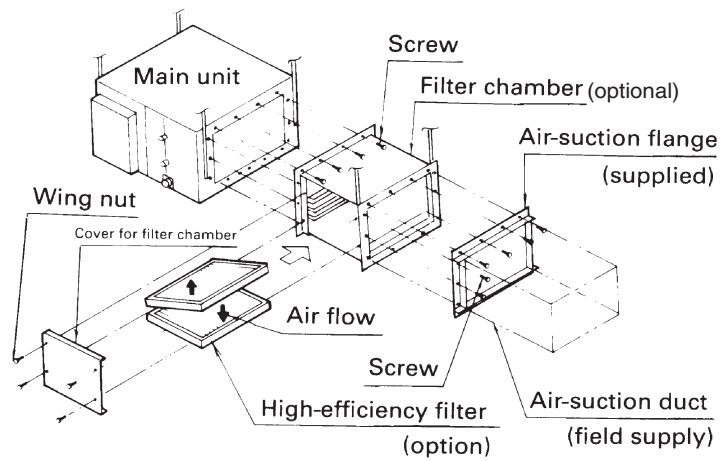
Particle Size Range (um)	Geometric Mean Diam (um)	Particle Removal Efficiency (%)						
		Initial	Load 1	Load 2	Load 3	Load 4		
0.30 - 0.40	0.35	44.7	44.7	51.5	70.0	78.0	80.8	80.4
0.40 - 0.55	0.47	54.3	54.3	61.2	77.7	82.6	83.4	83.1
0.55 - 0.70	0.62	64.4	64.4	71.2	83.8	86.5	86.0	85.0
0.70 - 1.00	0.84	73.8	73.8	79.5	88.4	89.0	88.4	87.5
1.00 - 1.30	1.14	82.6	82.6	87.5	91.9	91.6	90.9	90.2
1.30 - 1.60	1.44	85.5	85.5	89.6	92.5	92.0	91.4	90.8
1.60 - 2.20	1.88	87.8	87.8	91.3	93.2	92.8	92.2	91.6
2.20 - 3.00	2.57	90.0	90.0	93.7	94.5	94.2	94.2	93.7
3.00 - 4.00	3.46	92.1	92.1	94.9	95.7	95.5	95.3	94.5
4.00 - 5.50	4.69	93.7	93.7	96.3	96.6	96.6	96.5	96.0
5.50 - 7.00	6.20	96.0	96.0	97.8	98.4	98.0	98.3	97.5
7.00 - 10.00	8.37	97.0	97.0	99.1	99.0	98.9	99.3	98.8
		CME	Initial	Load 1	Load 2	Load 3	Load 4	Load 5
Resistance after Dust Load (in WG) ----->		0.18	0.36	0.57	0.79	1.00		
Dust Load (gms) ----->		5	17	24	30	35		

Characteristics of filter

- KAFP372A80, KAFP372A160, KAFP373A80, KAFP373A160



Installation



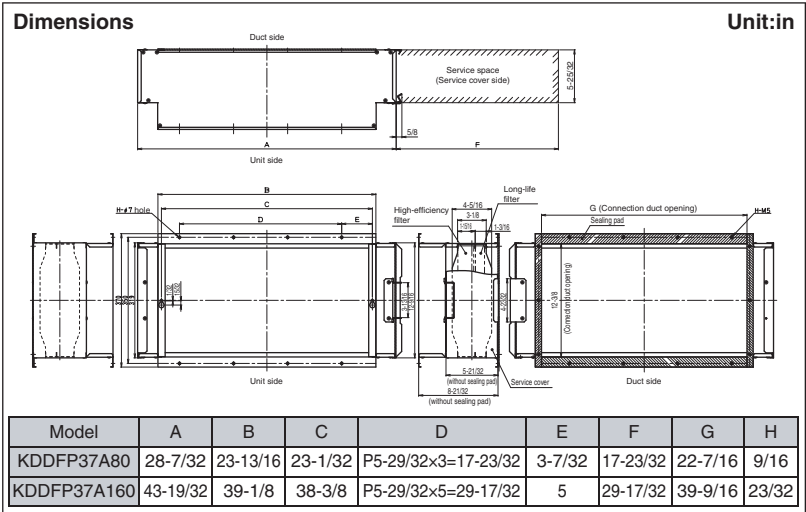
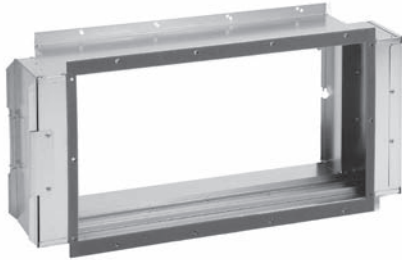
(V0754)

Installation

- Meet the airflow direction and arrow mark putting on the High-efficiency filter.
- The filter is optional and can be added later to the unit.

5.2 KDDFP37A80-160 — Filter Chamber

KDDFP37A80

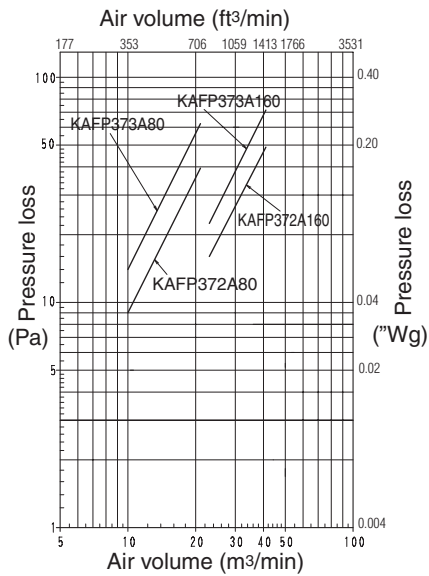


Item	Model		KDDFP37A80	KDDFP37A160
	Inserted filter	65 (colorimetric method)		KAFP372A80
MERV-12		KAFP373A80	KAFP373A160	
Long-life filter		KAFP371A80	KAFP371A160	
Mass (Lbs)			11	15.4
Accessories			Mounting screws, Installation manual	
Applicable Models			FXMQ30MVJU	FXMQ36,48MVJU

• **Set the anchor bolts**
(the size of the anchor bolts should be M10.)

Characteristics of filter

■ KDDFP37A80, KDDFP37A160



Installations

1 Before Installation <The accessories necessary for installation work should not be cast away until the work has been finished.>

- (1) Determine a carry-in route.
- (2) Carry the filter chamber to the installation site in its original packaging. If it is already unpacked, use appropriate caution.

2 Selection of the location to be installed <Refer to the installation manual attached to the indoor unit.>

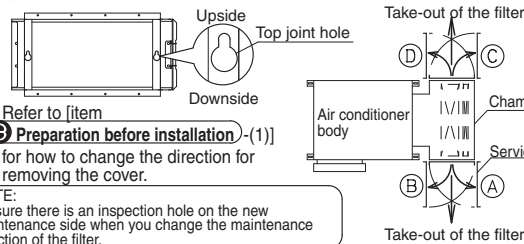
(1) Select an installation location that the customer agrees upon, and that conforms to the following conditions:

- Sufficient strength to bear the weight of the indoor unit and filter chamber.
- Lower surface of a ceiling is not significantly inclined.
- Service space can be kept from the viewpoint of installation.

(2) There are four directions for removing the maintenance service cover of the filter. Direction of the removal should be changed in accordance with an installed condition.

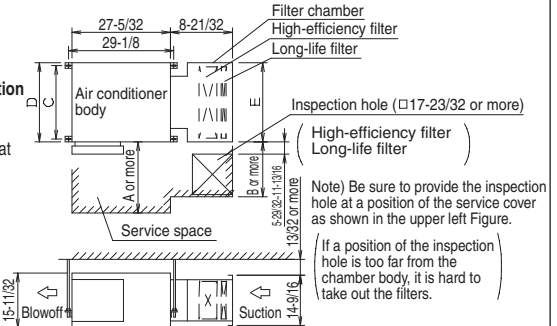
(At shipping, the cover is fitted at the opening and closing location (A).)

At this time, confirm the vertical direction of the filter chamber, by means of the top joint holes at the right and left sides of the connection side toward an air conditioner body.



Refer to [item **3 Preparation before installation** - (1)] for how to change the direction for removing the cover.

NOTE:
Be sure there is an inspection hole on the new maintenance side when you change the maintenance direction of the filter.



Note) Be sure to provide the inspection hole at a position of the service cover as shown in the upper left figure.

If a position of the inspection hole is too far from the chamber body, it is hard to take out the filters.

(Unit: in)

Unit name	A	B	C	D	E
KDDFP37A80	29-17/32	17-23/32	26-3/8	28-11/32	28-11/32
KDDFP37A160	43-5/16	29-17/32	41-23/32	43-11/16	43-11/16

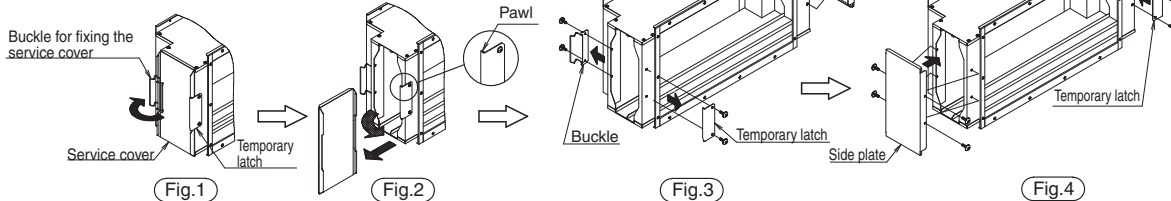
3 Preparation before installation <Refer to the installation manual attached to the indoor unit.>

(1) If direction of taking out the filter is changed, the work should be made in the following procedure.

Example) In the case of changing the opening and closing direction of the service cover from (A) to (C) as shown in [item **2 Selection of the location to be installed** - (2)]

1. Detach the buckle for fixing the service cover. (Fig.1)
2. Rotate the service cover until it is detached from the pawl of the temporary latch. (Fig.2)
3. Detach the buckle, latch, and the screws of the side plate. Then, remove the cover from the chamber body. (Fig.3)
4. Relocate the parts detached in accordance with above item 3, to the new position. (Fig.4)
5. Fit the service cover in accordance with the reverse procedure of above item 2, and fix it with the buckle.

NOTE:
Make sure that the service cover is securely fixed with the buckle. If not fixed firmly, air leakage can occur.



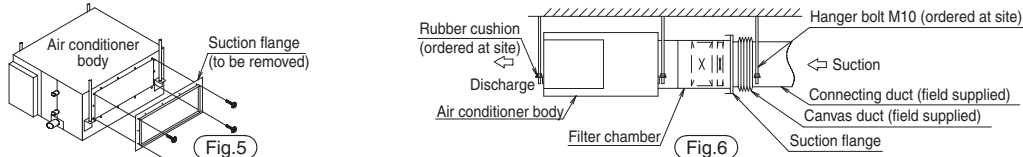
(2) Remove the suction inlet flange of the air conditioner body. (Fig.5)

In the case of connecting the site-duct to the suction side of the filter chamber, fit the removed suction inlet flange to the suction side of the filter chamber, with the screws that have been detached from the air conditioner body.

(3) When connecting ductwork to the air intake of the filter chamber, it is recommended that you use a flexible duct canvas (field supplied).

This is to prevent indoor unit vibration from being transmitted to the ductwork and ceiling. (Fig. 6)

Also, carry out lining work of the site-duct with an absorbent (heat insulation material), and fitting of rubber cushions on the hanger bolts for the air conditioner body.



3K016835

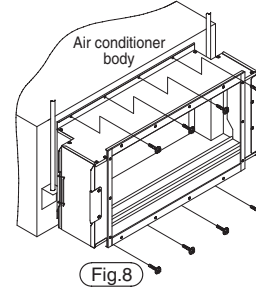
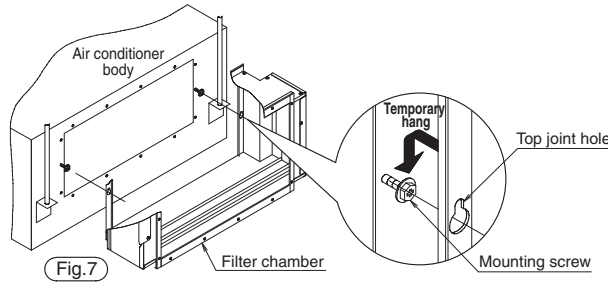
4 Installation of the filter chamber

If the filter chamber has been fitted into the air conditioner, you can lift up the products with hanger bolts.

- (1) Fit the mounting screws which are attached to this kit, onto the air conditioner body at two positions. (Fig.7)
- (2) Temporarily hang the air conditioner body with the screws fitted in accordance with above item (1), into the top joint holes of the filter chamber body, from inside.
- (3) After tightening the chamber at all outer screw holes using the attached mounting screws, tighten the two inside screws used for the temporary hanger. (Fig.8)
- (4) The air conditioner body and filter chamber should be installed horizontally by using a level vial, etc.

<Remarks>

- If screws are not tightened steadily, it may cause air leakage.
- If the product is not installed horizontally, it may cause air leakage, or removal of the filter may become difficult.



5 Fitting procedure of the filter

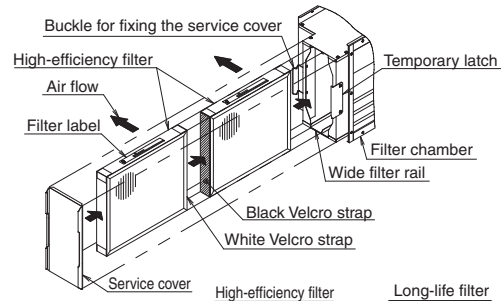
In the case of High-efficiency filter

Fitting procedure is same for both the 65% type and the 90% type.

- (1) Remove the service cover. For the method of removal, refer to [item ④ Preparation before installation - (1)]. Detach the buckle for fixing the service cover and then rotate the service cover until it is detached from the pawl of the temporary latch.
- (2) Insert the first piece of filter (black Velcro strap attached,) while aligned into the wide filter rails, by setting the arrow mark to an airflow direction such that the filter label comes to upper face.
- (3) After confirming that the first filter has been inserted for more than its half size into the filter chamber, then insert the second piece of filter (white Velcro strap attached,) while fixing it to the first filter using a Velcro strap.
- (4) After inserting two filters securely into the back of the filter chamber, fit the service cover in accordance with the reverse procedure of item (1).

NOTE:

Make sure that the service cover is securely fixed with the buckle. If not fixed firmly, air leakage can occur.

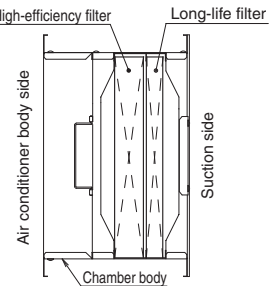
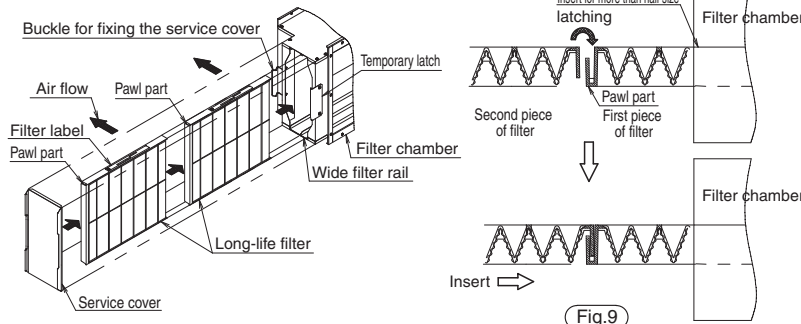


In the case of Long-life filter

- (1) Remove the service cover. For the method of removal, refer to [item ④ Preparation before installation - (1)]. Detach the buckle for fixing the service cover and then rotate the service cover until it is detached from the pawl of the temporary latch.
- (2) Insert the first piece of filter while aligned into the narrow filter rails, by setting the arrow mark to an airflow direction such that the filter label comes to upper face.
- (3) After confirming that the first filter has been inserted for more than its half size into the filter chamber, then insert the second piece of filter while latching it on the pawl part of the first one. (Fig.9)
The second filter cannot be fully inserted unless directions of the two filters fits.
- (4) After inserting the two filters securely into the back of the filter chamber, fit the service cover in accordance with the reverse.

NOTE:

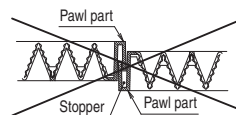
Make sure that the service cover is securely fixed with the buckle. If not firmly fixed, air leakage can occur.



Position of each filter in the side view of the filter chamber (before the service cover is fitted)

NOTE:

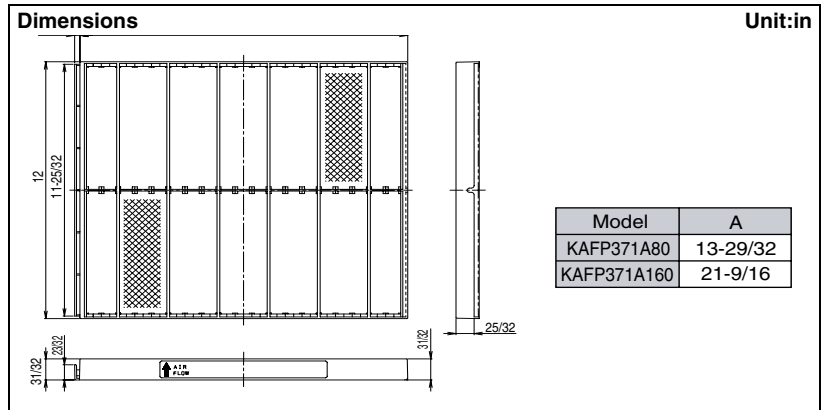
If the direction of each filter is different, proper latching with the same pawl cannot be made due to the stopper, and the filters cannot be inserted into the filter chamber.



3K016835

5.3 KAFP371A80-160 — Long-Life Replacement Filter

KAFP371A80

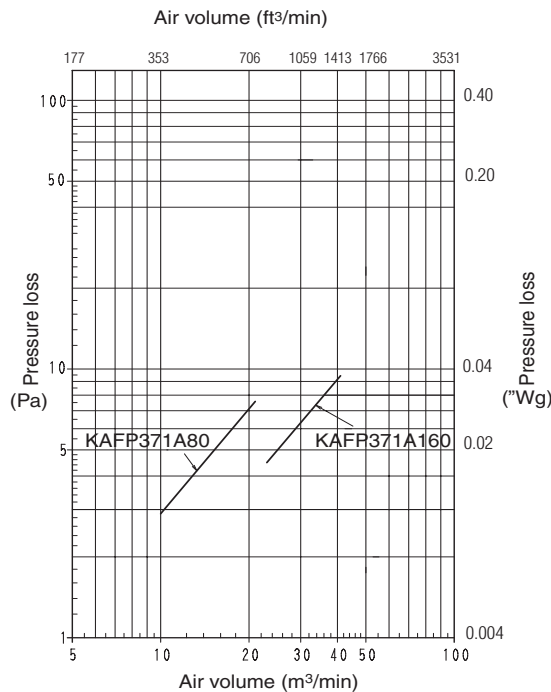


Specifications

Item	Model	KAFP371A80	KAFP371A160
Filter Chamber for Bottom Suction		KDDFP37A80	KDDFP37A160
Dimensions (WxDxT) in		14-1/8x12x31/32	21-25/32x12x31/32
Average Efficiency (%)		50% (Gravity method)	
Pressure Loss ("Wg)	Initial	0.028	0.032
	Final	0.20 (5mmH ₂ O)	
Material		Mildew-Proof Resin Net	
Number Required per Unit		2	2
Lifetime (h)		2,500 h (dust particle concentration at 0.15mg/m ³)	
Applicable Model		FXMQ30MVJU	FXMQ36-48MVJU

Characteristics of filter

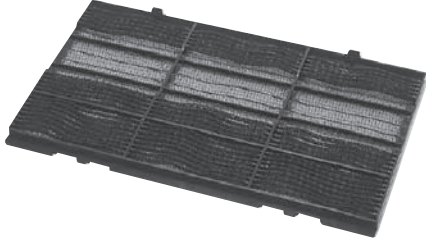
■KAFP371A80, KAFP371A160



6. FXHQ - Ceiling Suspended Type -

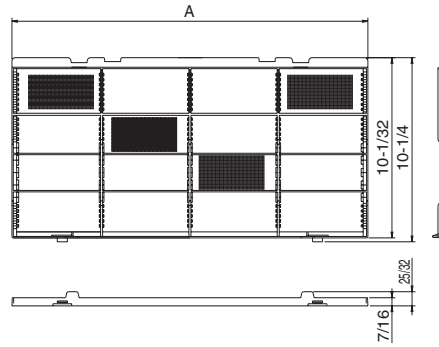
6.1 KAFJ501D56·112·160 — Replacement Long-Life Filter

KAFJ501D56



- Can be water washed. Can be reused.

Dimensions



Unit:in

Model	A
KAFJ501D56	16-15/16
KAFJ501D112	16-15/16
KAFJ501D160	19-13/32

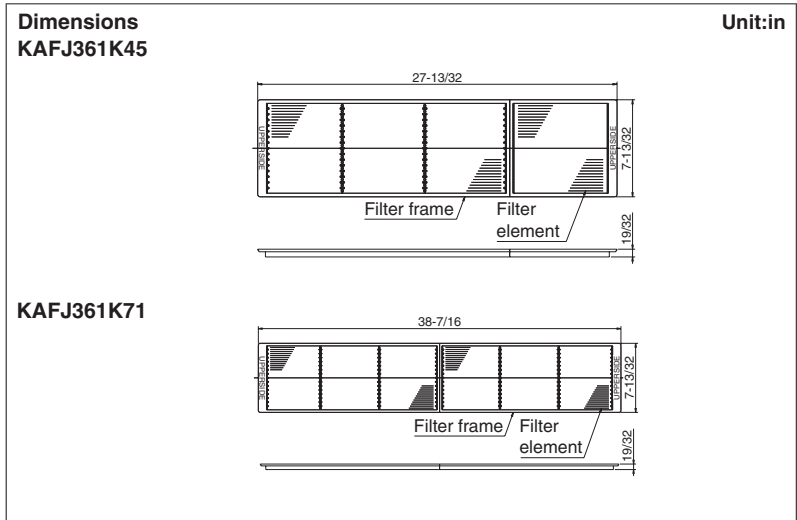
Item	Model	KAFJ501D56	KAFJ501D112	KAFJ501D160
Average efficiency (%)		45 (Gravity method)		
Initial pressure loss ("Wg)		0.04		
Final pressure loss ("Wg)		0.23		
Life (h)		2,500 (dust concentration 0.15 mg/m ³)		
Filter element		Mildew-proof resin net		
Number of sheets included		2	3	3
Mass (Lbs)		0.7	1.1	1.3
Applicable Models		FXHQ12MVJU	FXHQ24MVJU	FXHQ36MVJU

7. FXLQ / (FXNQ) - (Concealed) Floor Standing -

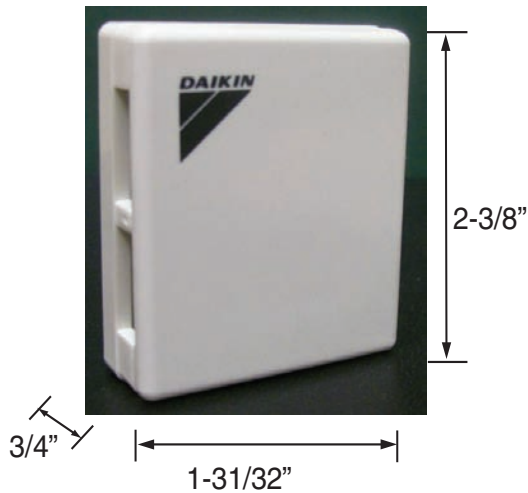
7.1 KAFJ361K45-71 — Long Life Replacement Filter

- Can be water washed. Can be reused.

Item	Model	KAFJ361K45	KAFJ361K71
Applicable Models		FXNQ,FXLQ12MVJU	FXNQ,FXLQ18,24MVJU
Average efficiency (%)		50 (Gravity method)	
Initial pressure loss (Pa)		9.8 or less	
Final pressure loss (Pa)		29.4	
Life (h)		2,500 (dust concentration 0.15 mg/m ³)	
Filter element		Mildew-proof resin net	
Number of sheets included		1	
Mass (Lbs)		0.4	0.7



8. Remote Sensor KRCS01-1A



ITEM	MODEL KRCS01-1A
Length of branch wiring	39' 3/8"
Appearance	Light ivory (with Daikin logo)
Housing Material	ABS resin
Package weight	15.5 oz
Sensor box weight	1.1 oz
Sensor box dimensions HWD	2-3/8" x 1-31/32" x 3/4"

KIT APPLICATION

This kit can be used for all indoor units in the SkyAir series, and the VRV series.

KIT COMPONENTS

Remote Sensor



Extension Cable
(39' 3/8" 2-conductor)



Accessory Bag



Round crimp terminals
(Qty 2)

Double-sided tape (Qty 2)
Ties (Qty 2)

Sensor Box mounting screws (Qty 2) (M4 x 16)

RECOMMENDATIONS FOR USE

- Recommended for ceiling suspended (FXHQ) and ceiling concealed types (FXDQ, FXMQ, FXSQ, FXFQ, FXZQ) which often result in a difference between setpoint temperature and return air temperature.
- Ducted style units in applications where outside air is being introduced or mixed at the unit's return-air opening.
- Ducted style units that are applied in an open return-air plenum environment.
- Applications where return air to the units is not substantially sourced from the area the unit is serving.
- Applications where high ceilings result in temperature stratification between the occupied zone and the unit's return-air opening.
- Where simplified remote controllers (BRC2A71) are utilized and return air to the unit is not sourced entirely from the area that the unit is serving.
- The sensor for detecting the temperature can be placed away from the indoor air conditioner. Branch wiring is included in the kit.

REMOVING THE SENSOR BOX COVER



Remove the cover from the sensor box using a flat screwdriver inserted into the slot in the sensor box and the cutout in the upper case.

NOTE: Under normal circumstances, do not remove the cover from the sensor box.

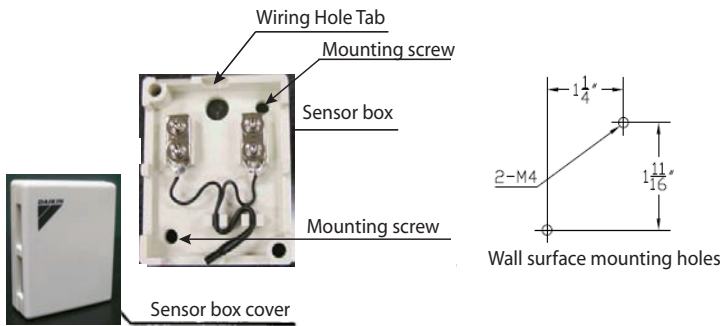
1. Install the extension cable so that it is not affected by nearby power cables or similar sources of noise. Noise may cause malfunction.
2. Make sure that wiring connections are correct and secure. Poor contact connections can result in incorrect temperature sensing.

MOUNTING

Select a mounting position carefully considering the following factors:

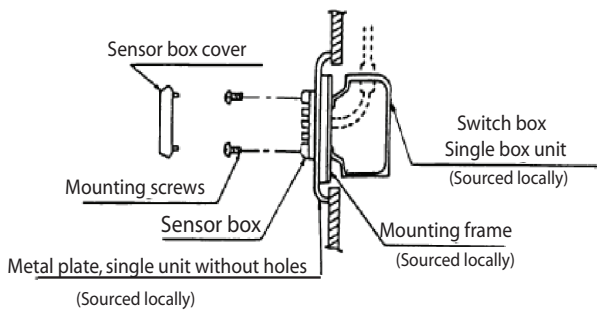
1. A location with the same average height as the room being air conditioned.
2. Out of direct sunlight.
3. Avoid a location where outlet air from the air conditioner is directed.
4. Avoid being near windows where incoming sunlight might affect the sensor.
5. Away from other heat sources.
6. Not directly exposed to a door that allows air in the room when opened.

SURFACE MOUNTING

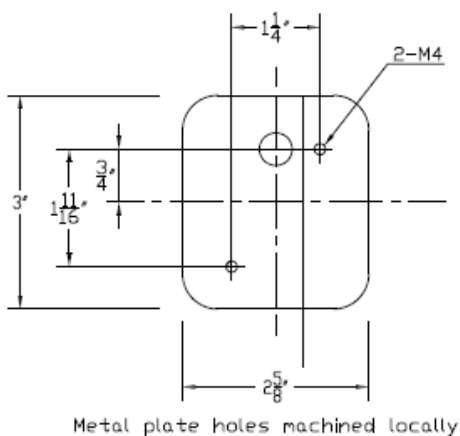


- Snap out the wiring hole tab using needle nose pliers or similar tool.
- Screw the sensor box securely to the wall surface.
- Wire to the electronic control unit in the indoor unit by first removing the existing thermistor (inlet air temperature sensor; normally connector X13A/R1T) and connecting the extension cable in its place. The existing thermistor is no longer required.

EMBEDDED WIRING



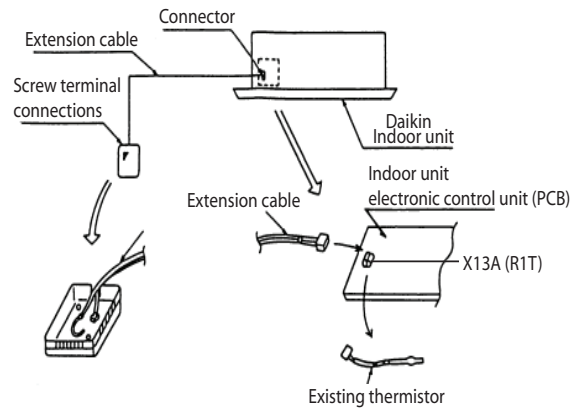
- Make sensor box mounting holes in a locally procured metal plate, as shown in the following figure. Screw the



- **WARNING:** Make sure not to cover any air holes in the sensor box.

WIRING GUIDE

Use the provided extension cable to connect the remote sensor to the electronic control unit (PCB) in the indoor unit.



1. Wire to the electronic control unit (main PCB) in the indoor unit by first removing the existing thermistor (inlet air temperature sensor connector X13A) and connecting the extension cable in its place. The existing thermistor is no longer required.
2. The position of the thermistor used for sensing the inlet air temperature is different according to the type of indoor unit. Check the wiring diagram for the indoor unit to make sure that you do not accidentally remove the wrong wiring.
3. In the indoor unit switchbox, use the same wiring clamps for the extension cable as are used for the existing thermistor.
4. If the extension cable is too long, cut it to the appropriate length, strip the coating, and fit the round crimp terminals provided. Do not cut the cable at the connector end.
5. Push the sensor box cover onto the sensor box.

OPERATION TEST AFTER MOUNTING THE SENSOR

Conduct operation tests of cooling and heating after mounting the sensor and completing the wiring.



- Daikin Industries, Ltd.'s products are manufactured for export to numerous countries throughout the world. Daikin Industries, Ltd. does not have control over which products are exported to and used in a particular country. Prior to purchase, please therefore confirm with your local authorized importer, distributor and/or retailer whether this product conforms to the applicable standards, and is suitable for use, in the region where the product will be used. This statement does not purport to exclude, restrict or modify the application of any local legislation.
- Ask a qualified installer or contractor to install this product. Do not try to install the product yourself. Improper installation can result in water or refrigerant leakage, electrical shock, fire or explosion.
- Use only those parts and accessories supplied or specified by Daikin. Ask a qualified installer or contractor to install those parts and accessories. Use of unauthorized parts and accessories or improper installation of parts and accessories can result in water or refrigerant leakage, electrical shock, fire or explosion.
- Read the User's Manual carefully before using this product. The User's Manual provides important safety instructions and warnings. Be sure to follow these instructions and warnings.

If you have any inquiries, please contact your local importer, distributor and/or retailer.



© 2004 Daikin Industries, Limited.

Daikin®, Daikin AC™, Absolute Comfort™, VRV® and REFNET™ are trademarks pending or registered trademarks of Daikin Industries, Limited. All rights reserved. LonWorks® and LON® are registered trademarks of Echelon Corporation. BACnet® is a Data Communication Protocol for Building Automation and Control Networks, developed under the auspices of the American Society of Heating, Refrigerating and Air-Conditioning Engineers (ASHRAE).



JMI-0107



JQA-1452

About ISO9001

ISO 9001 is a plant certification system defined by the International Organization for Standardization (ISO) relating to quality assurance. ISO 9001 certification covers quality assurance aspects related to the "design, development, manufacture, installation, and supplementary service" of products manufactured at the plant.



EC99J2044



JQA-E-90108

About ISO 14001

ISO 14001 is the standard defined by the International Organization for Standardization (ISO) relating to environmental management systems. Our group has been acknowledged by an internationally accredited compliance organisation as having an appropriate programme of environmental protection procedures and activities to meet the requirements of ISO 14001.

Dealer

DAIKIN AC (AMERICAS), INC.

1645 Wallace Drive, Suite 110
Carrollton, TX75006

info@daikinac.com

www.daikinac.com

©All rights reserved

● Specifications, designs and other content appearing in this brochure are current as of May 2008, but subject to change without notice.