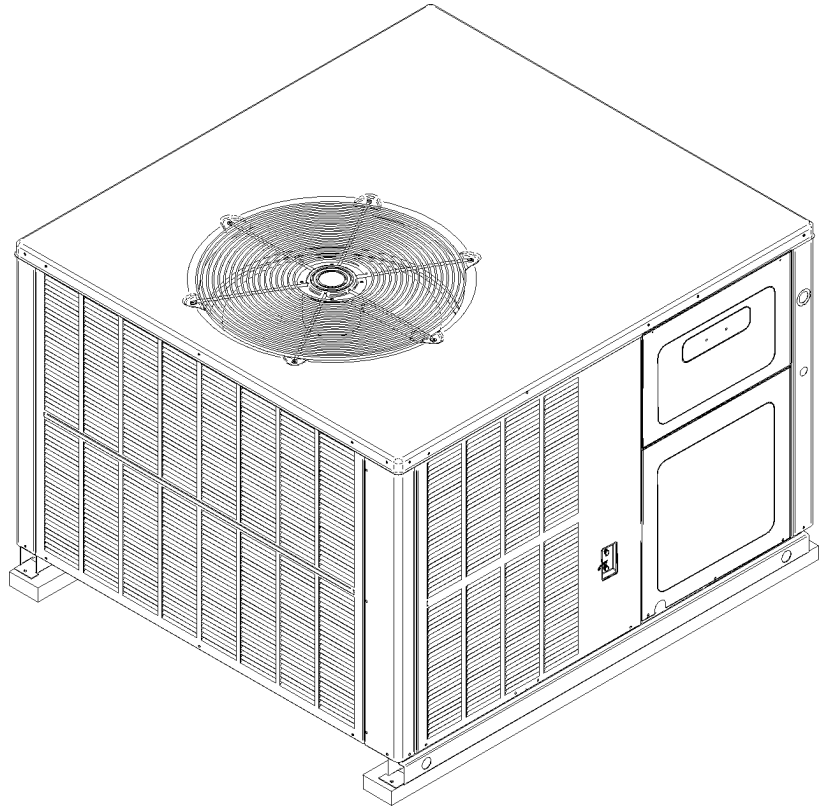


## DP14HM 3-Phase Multi-Position Light Commercial Package Heat Pump

DP14HM3643AA

DP14HM4843AA

DP14HM6043AA



This manual is to be used by qualified technicians only.

© 2016 **DAIKIN COMPANY, L.P.** ♦ 5151 San Felipe St., Suite 500 ♦ Houston, TX 77056

# Important Information

---

## Index

Functional Parts List .....	3
Illustration and Parts .....	4 - 11

*Views shown are for parts illustrations only, not servicing procedures*

### Text Codes:

AR - As Required

NA - Not Available

NS - Not Shown

00000000 - See Note

QTY - Quantity Example (QTY 3) (If Quantity not shown, Quantity = 1)

M - Model Example (M1) (If M Code not shown, then part is used on all Models)

### Expanded Model Nomenclature:

Example M1 - Model#1 M2 - Model#2 M3 - Model#3
---

Daikin Company, L.P. is not responsible for personal injury or property damage resulting from improper service. Review all service information before beginning repairs.

Warranty service must be performed by an authorized technician, using authorized factory parts. If service is required after the warranty expires, Daikin Company, L.P. also recommends contacting an authorized technician and using authorized factory parts.

Daikin Company, L.P. reserves the right to discontinue, or change at any time, specifications or designs without notice or without incurring obligations.

For assistance within the U.S.A. contact:

Homeowner Support  
Daikin North America, LLC  
19001 Kermier Road  
Waller, Texas 77484  
855-770-5678-Telephone  
713-863-2382-Facsimile

For assistance outside the U.S.A. contact:

International Division  
Daikin North America, LLC  
19001 Kermier Road  
Waller, Texas 77484  
713-861-2500-Telephone  
713-863-2382-Facsimile

# Functional Parts

## Part

## No: Description:

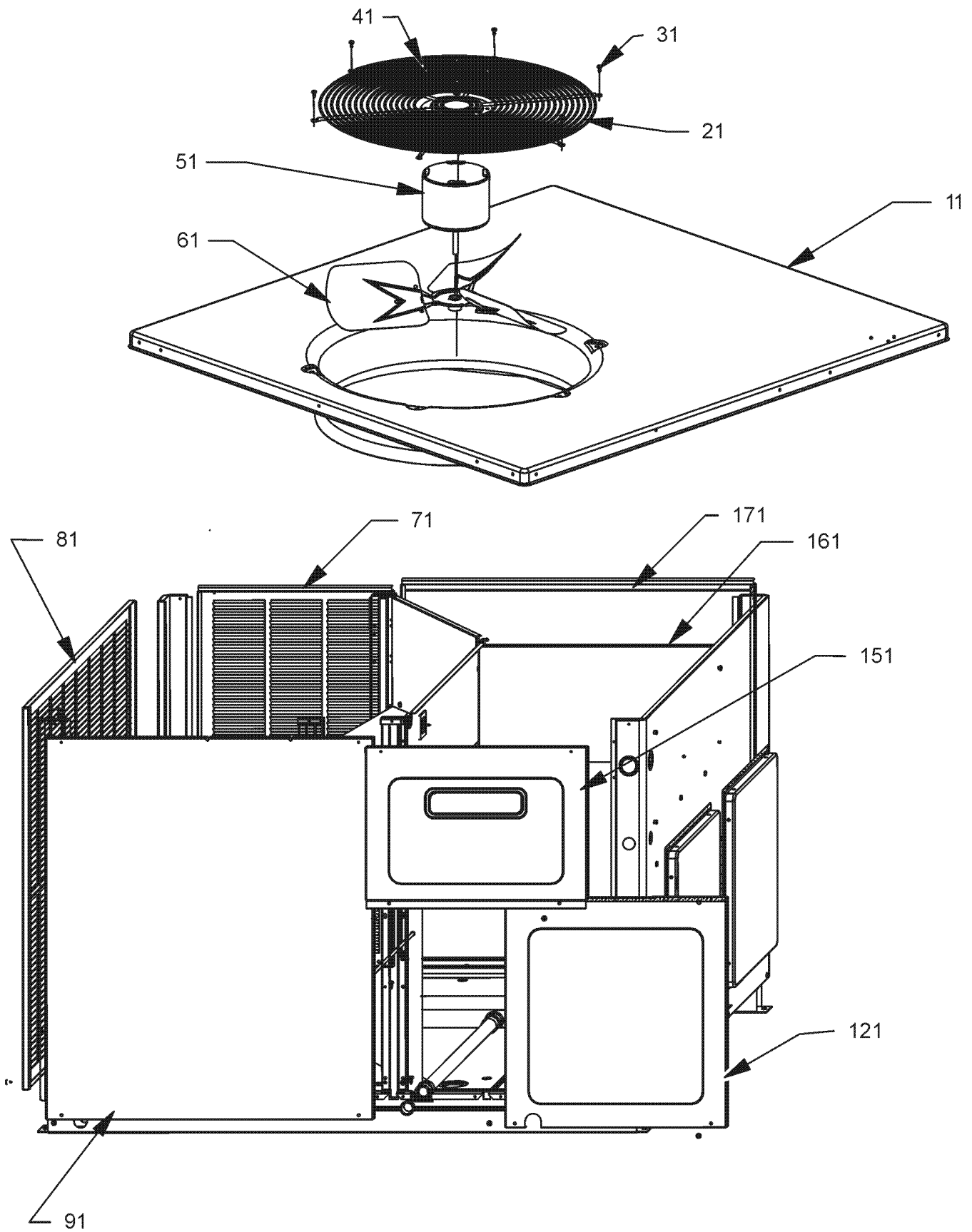
---

D6723303	BLOWER WHEEL
CAP100000370LA	CAPACITOR 10/370V (M3)
CAP050000370LA	CAPACITOR 5/370V (M1, M2)
ZP42K5ETF5130	COMP, 41900,200/230/60/3 (M2)
ZPS51K5ETF5130	COMP,52000,208/230/60/3/2STG (M3)
ZP31K5ETF5130	COMPRESSOR 31200, 200/230/60/3 (M1)
0131M00430	COND MOTOR 1/3 HP, 1 SP, 6 PL (M3)
0131M00429	COND MOTOR 1/4 HP, 1 SP,6 PL (M1, M2)
CONT3P025024V	CONTACTOR 25 AMP, 3P, 24V (M1)
CONT3P040024V	CONTACTOR 40 AMP, 3P, 24V (M2, M3)
0130M00197	CONTROL, DEFROST
0130L00096	CRANK CASE HEATER-70W 240V (M3)
0130M00074	CUT-OUT SWITCH, HIGH PRESSURE
0130M00075	CUT-OUT SWITCH, LOW PRESSURE
PCBDM133	DEFROST CONTROL BOARD
0150G00004	FAN BLADE (M1)
0150G00002	FAN BLADE SWEPT-WING (M2, M3)
0131G00030	PROGRAMMED MOTOR (M1)
0131G00032	PROGRAMMED MOTOR (M2)
0131G00033	PROGRAMMED MOTOR (M3)
0130M00242	RELAY, 24V (M3)
0151R00071	REVERSING VALVE
B1225022	SOLENOID COIL
0130M00199	SWITCH, CRANK CASE HEATER (M3)
0130M00138	TRANSFORMER 208/230, 24V

### Expanded Model Nomenclature

M1 - DP14HM3643AA
M2 - DP14HM4843AA
M3 - DP14HM6043AA

# Top and Cabinet Assembly



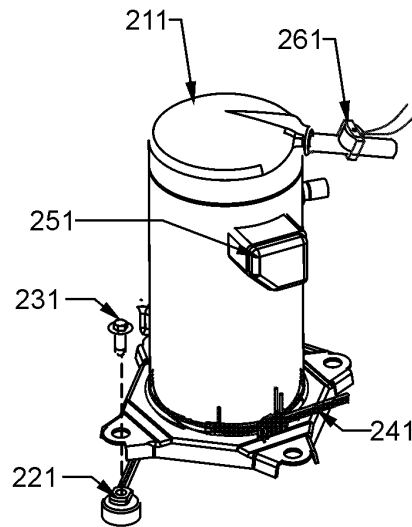
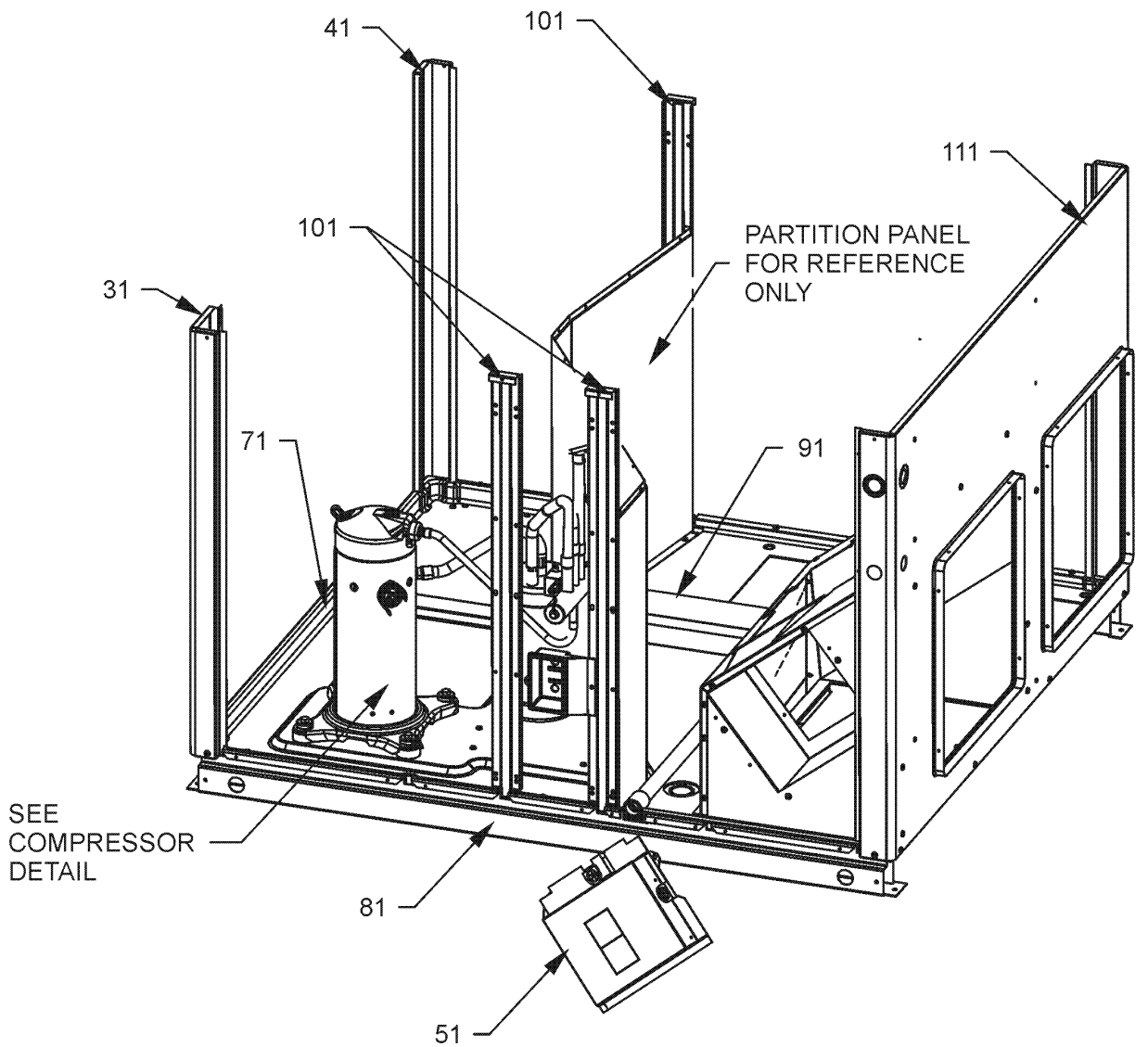
# Top and Cabinet Assembly

Ref. Part No:	Description:	Ref. Part No:	Description:
<b>Image 1:</b>			
11	0121G00156NG		PNL, TOP, PNT
21	0152G00000		FAN GRILLE, RAISED
31	B1393530		SCREW HWH,10 X 1/2, A, YZD, SLOT, SR (M3)
31	M0221817		SMALL SCREW (M1, M2)
41	0163M00006P		ACORN NUT 5/16 HEX BLACK (QTY 4)
51	0131M00430		COND MOTOR 1/3 HP, 1 SP, 6 PL (M3)
51	0131M00429		COND MOTOR 1/4 HP, 1 SP,6 PL (M1, M2)
61	0150G00004		FAN BLADE (M1)
61	0150G00002		FAN BLADE SWEPT-WING (M2, M3)
71	20467701NG		LOUVERED PANEL, COND SIDE 32" (M1)
71	20467702NG		LOUVERED PANEL, COND SIDE 40" (M2, M3)
81	20464401NG		LOUVERED PANEL, COND SIDE 32" (M1)
81	20464402NG		LOUVERED PANEL, COND SIDE 40" (M2, M3)
91	0121G00659NG		COMPRESSOR PANEL (M3)
91	0121G00662NG		COMPRESSOR PANEL (M1)
91	0121G00663NG		COMPRESSOR PANEL (M2)
121	0121G00165NG		PNL, BLO, CNVRT, 32.5", PNT (M1)
121	0121G00168NG		PNL, BLO, CNVRT, 40", PNT (M2, M3)
151	0121G00213NG		PNL, CB, CNVRT,PNT
161	0121G00591		BLK-OFF, EVAP, TOP, CNVRT (M2, M3)
161	0121G00592		BLK-OFF, EVAP, TOP, CNVRT (M1)
171	20464801NG		BLOWER DOOR 32" (M1)
171	20464806NG		BLOWER DOOR 40" (M2, M3)
NS	0121G00235		FAN BAFFLE
NS	0164G00005		GROMMET-HORSESHOE 1.675
NS	17788000083F		PVC CONDUIT 8.25"

## Expanded Model Nomenclature

M1 - DP14HM3643AA
M2 - DP14HM4843AA
M3 - DP14HM6043AA

# Panels, Supports and Compressor



COMPRESSOR DETAIL

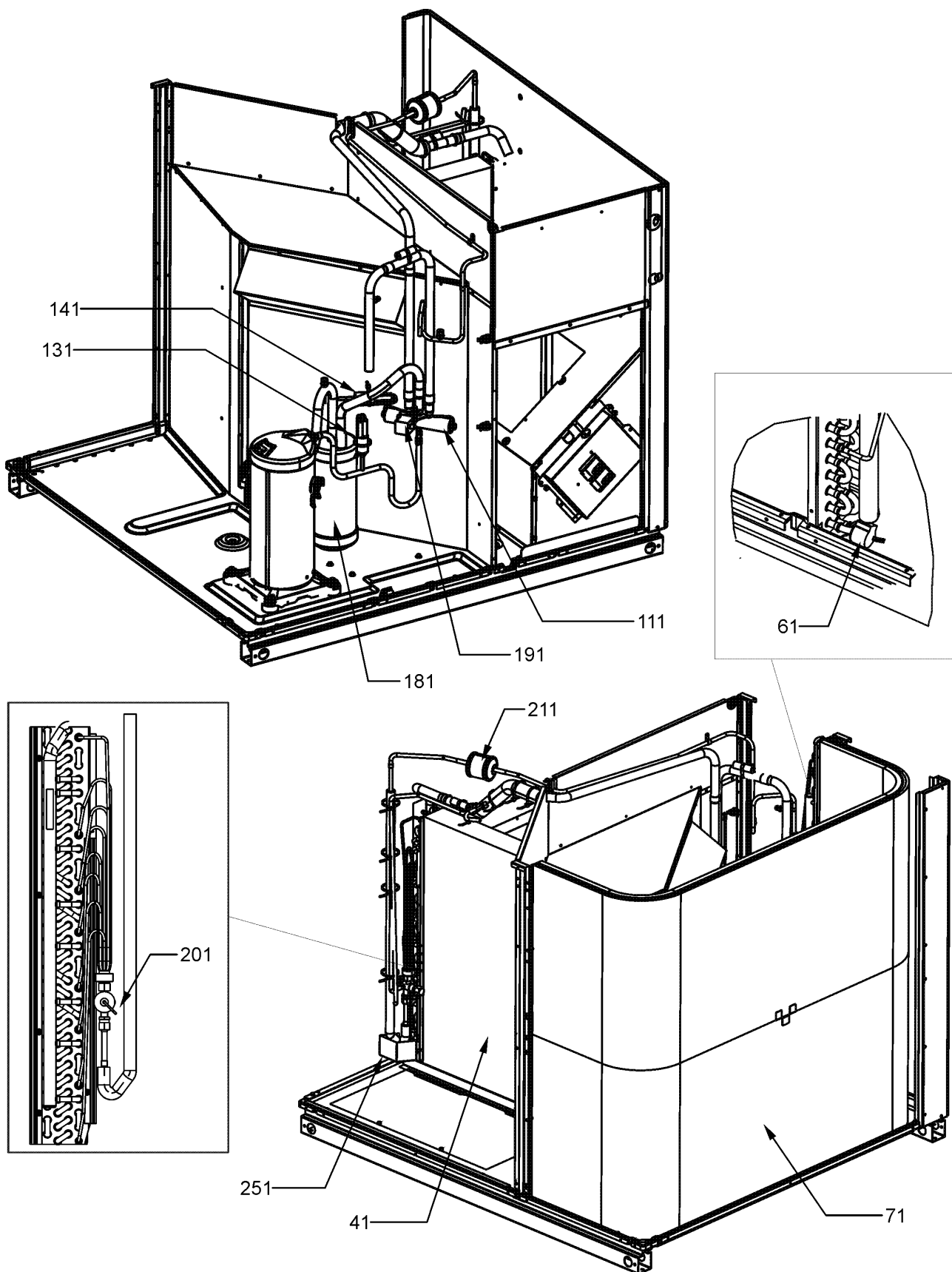
# Panels, Supports and Compressor

Ref. Part No:	No:	Description:	Ref. Part No:	No:	Description:
<b>Image 1:</b>					
31	20464201NG	CORNER POST-COMP END 32" (M1)			
31	20464202NG	CORNER POST-COMP END 40" (M2, M3)			
41	20464301NG	CORNER POST-HAIRPIN END 32" (M1)			
41	20464302NG	CORNER POST-HAIRPIN END 40" (M2, M3)			
51	0121G00725	COVER, HK (QTY 2)			
71	0121G00290	BASE PAN RAIL (QTY 2)			
81	0121G00444	BASEPAN, PACKAGE			
91	0161G00003	PLASTIC DRIP PAN			
101	0121G00460	POST-SUPPORT, SIDE (M1)			
101	0121G00615	POST-SUPPORT, SIDE 40 (M2, M3)			
111	0121G00671NG	PNL, DUCT, CNVRT, 32.5" PNT (M1)			
111	0121G00672NG	PNL, DUCT, CNVRT, 40" PNT (M2, M3)			
211	ZP42K5ETF5130	COMP, 41900,200/230/60/3 (M2)			
211	ZPS51K5ETF5130	COMP,52000,208/230/60/3/2STG (M3)			
211	ZP31K5ETF5130	COMPRESSOR 31200, 200/230/60/3 (M1)			
221	B1339533	COMPRESSOR GROMMET (QTY 4)			
231	M0221641	TF SHOULDER SCREW (QTY 4)			
241	0130L00096	CRANK CASE HEATER-70W 240V (M3)			
251	0159G00007	HARNESS-COMP SCROLL (M1, M2)			
251	0159G00012	HARNESS-COMP SCROLL (M3)			
261	0130M00199	SWITCH, CRANK CASE HEATER (M3)			

## Expanded Model Nomenclature

M1 - DP14HM3643AA
M2 - DP14HM4843AA
M3 - DP14HM6043AA

# Tubing and Coil Assembly





# Tubing and Coil Assembly

Ref. Part No: No:	Description:	Ref. Part No: No:	Description:
-------------------	--------------	-------------------	--------------

---

**Image 1:**

41	0202G00542	EVAP COIL ASSY (M3)
41	0202G00578	EVAP COIL ASSY (M1)
41	0202G00580	EVAP COIL ASSY (M2)
61	0130M00197	CONTROL, DEFROST
71	0201G00328	COND COIL ASSY (M1)
71	0201G00339	COND COIL ASSY (M2)
71	0201G00405	COND COIL ASSY (M3)
111	0151R00071	REVERSING VALVE
131	0130M00074	CUT-OUT SWITCH, HIGH PRESSURE
141	0130M00075	CUT-OUT SWITCH, LOW PRESSURE
181	B1226207	ACCUMULATOR .875
191	B1225022	SOLENOID COIL
201	0151M00050	VALVE, NXT (M3)
211	20485201	BI-FLOW FILTER DRIER
251	0121G00509	DRIP SHIELD
NS	0159G00001	COMPRESSOR SOLENOID CABLE (M3)
NS	0121G00148	SINGLE COVER, DOWN DISCHARGE (QTY 2)

**Expanded Model Nomenclature**

M1 - DP14HM3643AA
M2 - DP14HM4843AA
M3 - DP14HM6043AA

# Control Panel & Blower Assembly

IMAGE 1

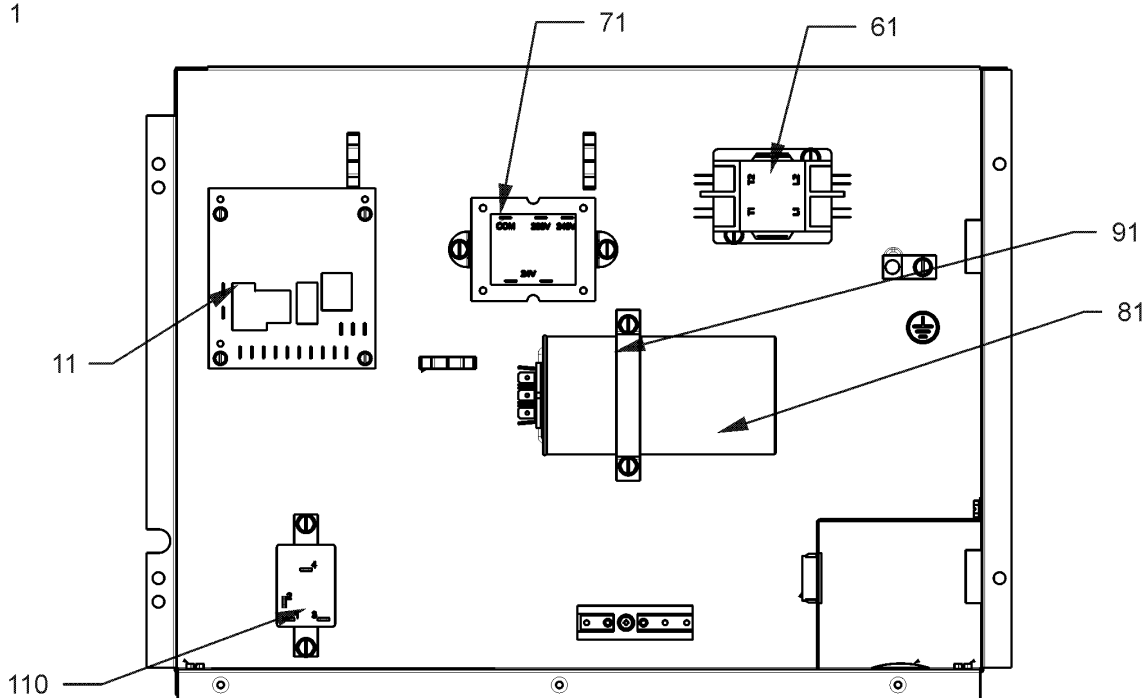
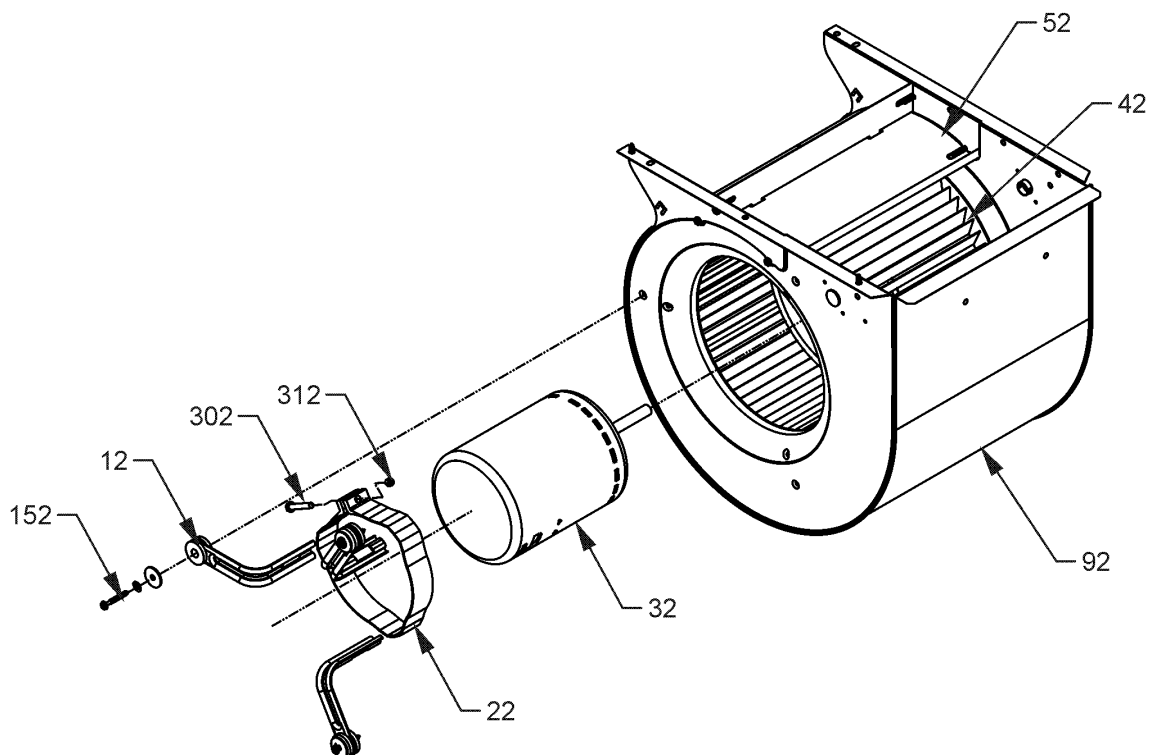


IMAGE 2



# Control Panel & Blower Assembly

Ref. Part No: No:	Description:	Ref. Part No: No:	Description:
-------------------	--------------	-------------------	--------------

**Image 1:**

11	PCBDM133	DEFROST CONTROL BOARD
61	CONT3P025024V	CONTACTOR 25 AMP, 3P, 24V (M1)
61	CONT3P040024V	CONTACTOR 40 AMP, 3P, 24V (M2, M3)
71	0130M00138	TRANSFORMER 208/230, 24V
81	CAP100000370LA	CAPACITOR 10/370V (M3)
81	CAP050000370LA	CAPACITOR 5/370V (M1, M2)
91	20520901	CAPACITOR STRAP
111	0130M00242	RELAY, 24V (M3)
NS	0259G00243	HARNESS CONTROL (M1, M2)
NS	0259G00246	HARNESS CONTROL (M3)
NS	0259G00149	HARNESS, 12 PIN, FEMALE (M3)
NS	0259G00217	HARNESS, 12-PIN, FEMALE (M1, M2)
NS	0259G00172	WIRE HARNESS ASSY
NS	0259G00245	WIRE HARNESS ASSY (M3)
NS	0259G00241	WIRE HARNESS ECONOMIZER (M1, M2)
NS	0259G00244	WIRE HARNESS-ECONOMIZER (M3)

**Image 2:**

12	B1376857	MOTOR MOUNT ARM (QTY 3)
22	0121M00038	MOTOR MOUNT BAND
32	0131G00030	PROGRAMMED MOTOR (M1)
32	0131G00032	PROGRAMMED MOTOR (M2)
32	0131G00033	PROGRAMMED MOTOR (M3)
42	D6723303	BLOWER WHEEL
52	764742	BLOWER BLOCK-OFF
92	0271G00024	BLOWER HOUSING ASSY 10 X 9
152	M0250565	TC SCREW 1.25" (QTY 3)
302	B1393323	MACHINE SCREW HWH 1/4-20 X 1-1/2 BZ
312	B1393800	LOCKNUT, NYLON, INSERT 1/4, 20
NS	0259G00155	BLOWER HARNESS ASSEMBLY

**Expanded Model Nomenclature**

M1 - DP14HM3643AA
M2 - DP14HM4843AA
M3 - DP14HM6043AA