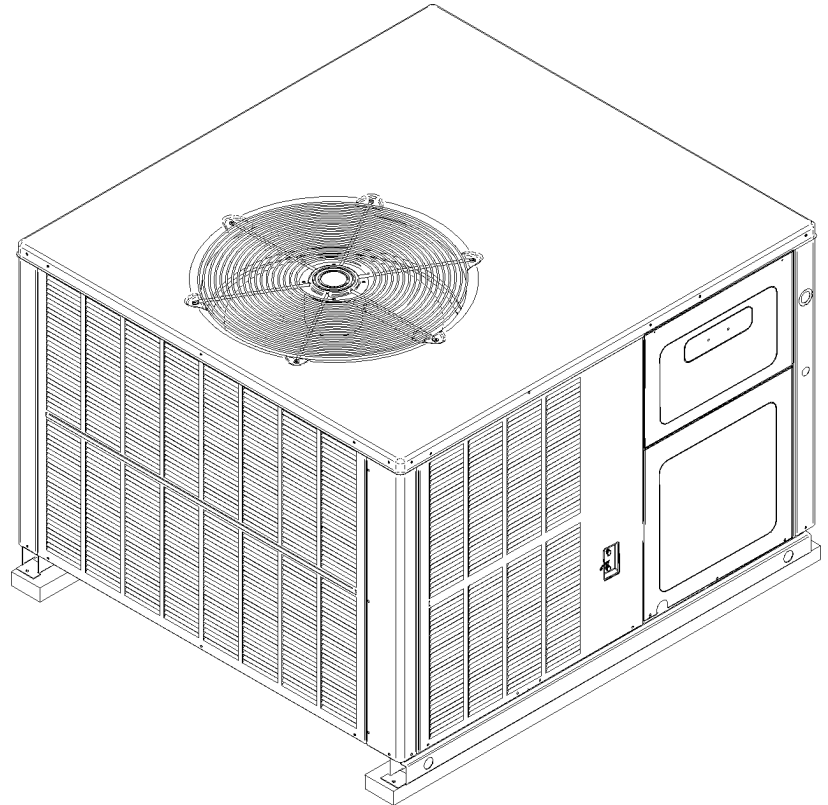


## DP14CM 3-Phase Multi-Position Light Commercial Package Cooling Unit

DP14CM3643AA

DP14CM4843AA

DP14CM6043AA



This manual is to be used by qualified technicians only.

# Important Information

---

## Index

Functional Parts List .....	3
Illustration and Parts .....	4 - 9

*Views shown are for parts illustrations only, not servicing procedures*

### Text Codes:

AR - As Required

NA - Not Available

NS - Not Shown

00000000 - See Note

QTY - Quantity Example (QTY 3) (If Quantity not shown, Quantity = 1)

M - Model Example (M1) (If M Code not shown, then part is used on all Models)

### Expanded Model Nomenclature:

Example M1 - Model#1 M2 - Model#2 M3 - Model#3
---

Daikin Company, L.P. is not responsible for personal injury or property damage resulting from improper service. Review all service information before beginning repairs.

Warranty service must be performed by an authorized technician, using authorized factory parts. If service is required after the warranty expires, Daikin Company, L.P. also recommends contacting an authorized technician and using authorized factory parts.

Daikin Company, L.P. reserves the right to discontinue, or change at any time, specifications or designs without notice or without incurring obligations.

For assistance within the U.S.A. contact:

Homeowner Support  
Daikin North America, LLC  
19001 Kermier Road  
Waller, Texas 77484  
855-770-5678-Telephone  
713-863-2382-Facsimile

For assistance outside the U.S.A. contact:

International Division  
Daikin North America, LLC  
19001 Kermier Road  
Waller, Texas 77484  
713-861-2500-Telephone  
713-863-2382-Facsimile

# Functional Parts

## Part

## No: Description:

---

D6723303	BLOWER WHEEL
CAP100000370LA	CAPACITOR 10/370V (M3)
CAP050000370LA	CAPACITOR 5/370V (M1, M2)
ZP49K5ETF5130	COMP, 49000/208/230/60/3 (M3)
ZP31K5ETF5130	COMPRESSOR 31200, 200/230/60/3 (M1)
ZP39K5ETF5130	COMPRESSOR 39000, 200/230/60/3 (M2)
0131M00430	COND MOTOR 1/3 HP, 1 SP, 6 PL (M3)
0131M00429	COND MOTOR 1/4 HP, 1 SP, 6 PL (M1, M2)
CONT3P025024V	CONTACTOR 25 AMP, 3P, 24V (M1)
CONT3P040024V	CONTACTOR 40 AMP, 3P, 24V (M2, M3)
0130M00074	CUT-OUT SWITCH, HIGH PRESSURE
0150G00002	FAN BLADE SWEEP-WING
0131G00052	PROGRAMMED MOTOR (M3)
0131G00049	PROGRAMMED MOTOR (M1)
0131G00051	PROGRAMMED MOTOR (M2)
0130M00138	TRANSFORMER 208/230, 24V

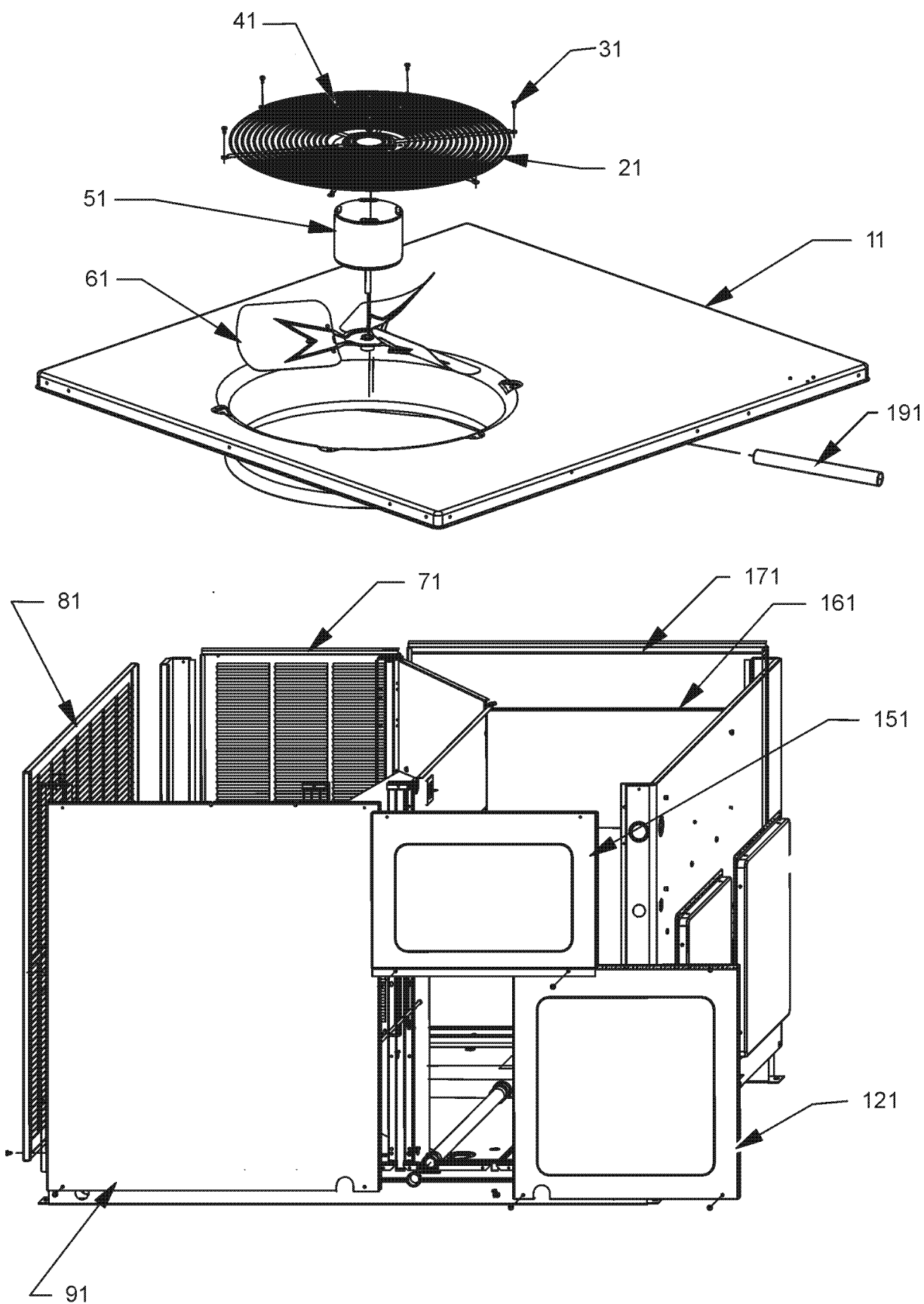
### Expanded Model Nomenclature

M1 - DP14CM3643AA

M2 - DP14CM4843AA

M3 - DP14CM6043AA

# Cabinet Assembly



# Cabinet Assembly

Ref. Part No: No:	Description:	Ref. Part No: No:	Description:
-------------------	--------------	-------------------	--------------

---

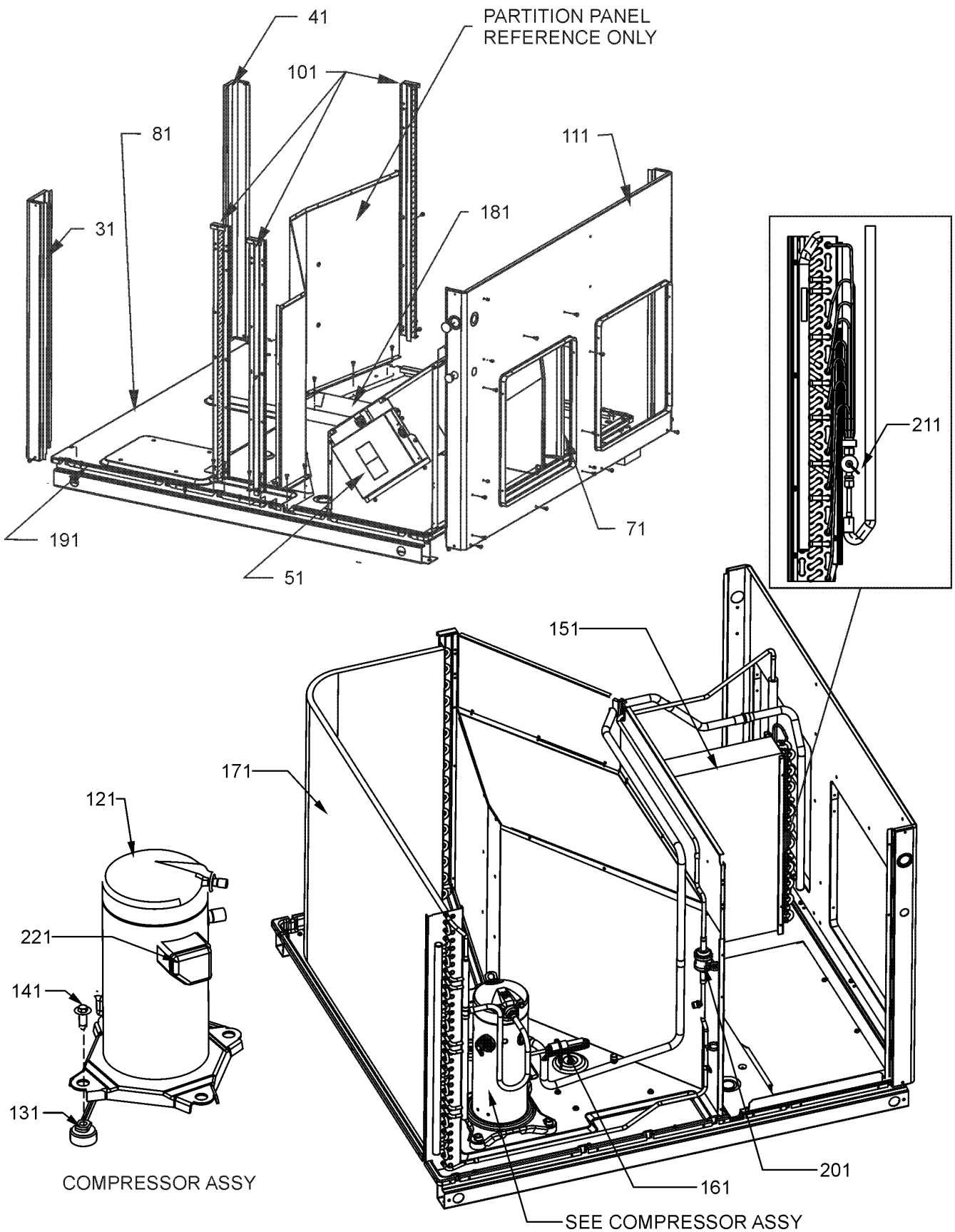
**Image 1:**

11	0121G00156NG	PANEL, TOP, PNT
21	0152G00000	FAN GRILLE, RAISED
31	M0221817	SMALL SCREW (QTY 6)
41	0163M00006P	ACORN NUT 5/16 HEX BLACK (QTY 4)
51	0131M00430	COND MOTOR 1/3 HP, 1 SP, 6 PL (M3)
51	0131M00429	COND MOTOR 1/4 HP, 1 SP, 6 PL (M1, M2)
61	0150G00002	FAN BLADE SWEEP-WING
71	0121G00465NG	LOUVERED PANEL, COND SIDE 32" (M1)
71	20467702NG	LOUVERED PANEL, COND SIDE 40" (M2, M3)
81	20464401NG	LOUVERED PANEL, COND SIDE 32" (M1)
81	20464402NG	LOUVERED PANEL, COND SIDE 40" (M2, M3)
91	0121G00661NG	COMPRESSOR PANEL (M3)
91	0121G00662NG	COMPRESSOR PANEL (M1)
91	0121G00663NG	COMPRESSOR PANEL (M2)
121	0121G00165NG	PNL, BLO, CNVRT, 32.5", PNT (M1)
121	0121G00168NG	PNL, BLO, CNVRT, 40", PNT (M2, M3)
151	0121G00213NG	CONTROL BOX PANEL
161	0121G00591	BLK-OFF, EVAP, TOP, CNVRT (M2, M3)
161	0121G00592	BLK-OFF, EVAP, TOP, CNVRT (M1)
171	20464801PDG	BLOWER DOOR 32" (M1)
171	20464806PDG	BLOWER DOOR 40" (M2, M3)
191	17788000083F	PVC CONDUIT 8.25"
NS	0164G00005	GROMMET-HORSESHOE 1.675

**Expanded Model Nomenclature**

M1 - DP14CM3643AA
M2 - DP14CM4843AA
M3 - DP14CM6043AA

# Partition Panel, Tubing and Compressor



# Partition Panel, Tubing and Compressor

Ref. Part No: No:	Description:	Ref. Part No: No:	Description:
<b>Image 1:</b>			
31	20464202NG		CORNER POST-COMP END 40" (M2, M3)
31	0121G00453NG		CORNER-POST COMP END (M1)
41	20464302NG		CORNER POST-HAIRPIN END 40" (M2, M3)
41	0121G00454NG		CORNER-POST HPIN END (M1)
51	0121G00725		COVER, HK (QTY 2)
71	0121G00362		EVAP BLOCK OFF (M1)
71	0121G00571		EVAP BLOCK OFF (M2, M3)
81	0121G00444		BASEPAN, PACKAGE
101	0121G00460		POST-SUPPORT, SIDE (M1)
101	0121G00615		POST-SUPPORT, SIDE 40 (M2, M3)
111	0121G00671NG		PNL, DUCT, CNVRT, 32.5" PNT (M1)
111	0121G00672NG		PNL, DUCT, CNVRT, 40" PNT (M2, M3)
121	ZP49K5ETF5130		COMP, 49000/208/230/60/3 (M3)
121	ZP31K5ETF5130		COMPRESSOR 31200, 200/230/60/3 (M1)
121	ZP39K5ETF5130		COMPRESSOR 39000, 200/230/60/3 (M2)
131	B1339533		COMPRESSOR GROMMET (QTY 4)
141	M0221641		TF SHOULDER SCREW (QTY 4)
151	0202G00542		EVAP COIL ASSY (M3)
151	0202G00573		EVAP COIL ASSY (M1)
151	0202G00574		EVAP COIL ASSY (M2)
161	0130M00074		CUT-OUT SWITCH, HIGH PRESSURE
171	0201G00139		COND COIL TUBING ASSY (M2)
171	0201G00249		COND COIL TUBING ASSY (M1)
171	0201G00340		COND COIL TUBING ASSY (M3)
181	0161G00003		PLASTIC DRIP PAN
191	0121G00290		BASE PAN RAIL (QTY 2)
201	B1219212		SINGLE-FLOW FILTER DRIER, STEEL (M1)
201	B1219225		SINGLE-FLOW FILTER DRIER, STEEL (M2, M3)
211	0151M00050		VALVE, NXT (M3)
221	0159G00007		COMPRESSOR SCROLL HARNESS
NS	0121G00509		DRIP SHIELD
NS	0121G00235		FAN BAFFLE

## Expanded Model Nomenclature

M1 - DP14CM3643AA
M2 - DP14CM4843AA
M3 - DP14CM6043AA

# Control Box and Blower Assembly

IMAGE 1

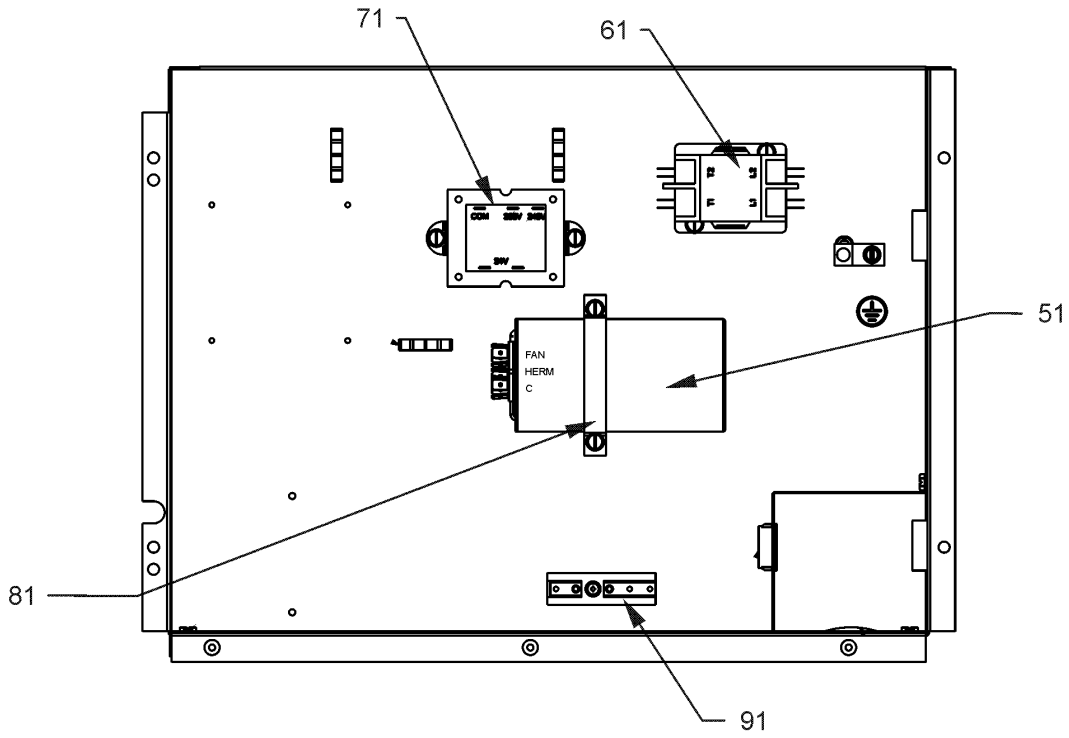
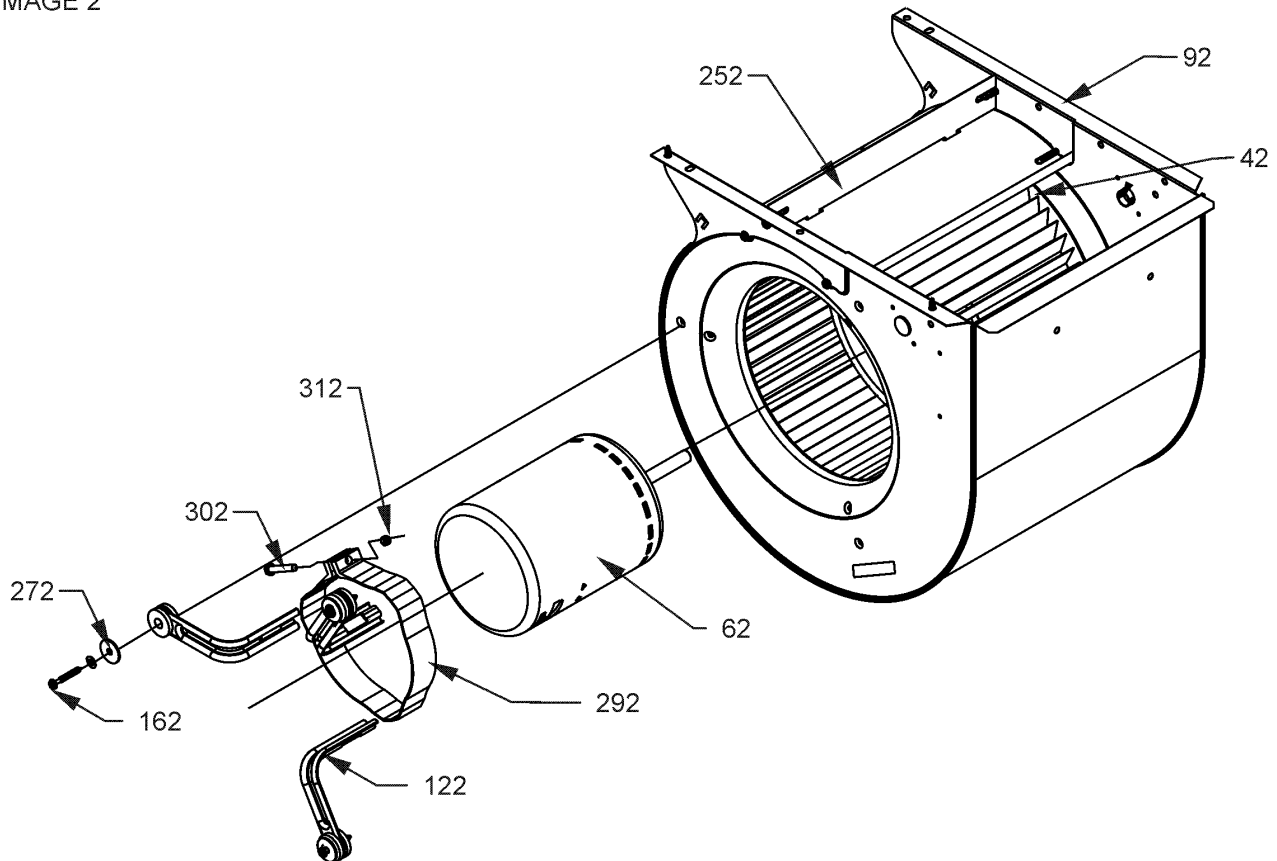


IMAGE 2





# Control Box and Blower Assembly

Ref. Part No: No:	Description:	Ref. Part No: No:	Description:
-------------------	--------------	-------------------	--------------

**Image 1:**

51	CAP100000370LA	CAPACITOR 10/370V (M3)
51	CAP050000370LA	CAPACITOR 5/370V (M1, M2)
61	CONT3P025024V	CONTACTOR 25 AMP, 3P, 24V (M1)
61	CONT3P040024V	CONTACTOR 40 AMP, 3P, 24V (M2, M3)
71	0130M00138	TRANSFORMER 208/230, 24V
81	20520901	CAPACITOR STRAP
91	802007090	TERM BOARD
NS	0259G00179	WIRE HARNESS ASSY
NS	0259G00236	WIRE HARNESS ASSY
NS	0259G00237	WIRE HARNESS, CNTRL BOX MAIN
NS	0259G00235	WIRE HARNESS-ECONOMIZER

**Image 2:**

42	D6723303	BLOWER WHEEL
62	0131G00049	PROGRAMMED MOTOR (M1)
62	0131G00051	PROGRAMMED MOTOR (M2)
62	0131G00052	PROGRAMMED MOTOR (M3)
92	0271G00024	BLOWER HOUSING ASSY 10 X 9
122	B1376857	MOTOR MOUNT ARM (QTY 3)
162	M0250565	TC SCREW 1.25" (QTY 3)
252	764742	BLOWER BLOCK-OFF
272	B1392918	WASHER, FLAT 1/4 ID X 1 OD (QTY 3)
292	0121M00038	MOTOR MOUNT BAND
302	B1393323	MACHINE SCREW HWH 1/4-20 X 1-1/2 BZ
312	B1393800	LOCKNUT, NYLON, INSERT 1/4, 20
NS	0259G00155	BLOWER HARNESS

**Expanded Model Nomenclature**

M1 - DP14CM3643AA
M2 - DP14CM4843AA
M3 - DP14CM6043AA