



Submittal Data Sheet

3.5-Ton Ceiling Suspended Unit

FHQ42MVJURZQ42PVJU8

FEATURES

- Auto-swing capability with 100° airflow pattern
- 10 year limited parts and compressor warranty

BENEFITS

- Lateral servicing space allows installation in corners, narrow spaces, walls, and ceilings

INDOOR UNIT



OUTDOOR UNIT





Submittal Data Sheet

3.5-Ton Ceiling Suspended Unit

FHQ42MVJURZQ42PVJU8

SYSTEM PERFORMANCE

Indoor Unit Model No.	FHQ42MVJU	Indoor Unit Name:	Sky-Air Ceiling Type - M Series
Outdoor Unit Model No.	RZQ42PVJU8	Outdoor Unit Name:	Sky-Air Heat Pump ODU
Rated Cooling Capacity (Btu/hr):	39,000	Rated Cooling Conditions:	Indoor (°F DB/WB): 80 / 67 Ambient (°F DB/WB): 95 / 75
Sensible Capacity (Btu/hr):	28,200	Rated Piping Length(ft):	25
Max/Min Cooling Capacity (Btu/hr):	/	Rated Height Difference (ft):	0.00
Cooling Input Power (kW):	4.260	Rated Heating Conditions:	Indoor (°F DB/WB): 70 / 60 Ambient (°F DB/WB): 47 / 43
SEER (Non-Ducted/Ducted):	14.00 /	HSPF (Non-Ducted/Ducted):	8.2 /
EER (Non-Ducted/Ducted):	8.80 /		
Rated Heating Capacity (Btu/hr):	39,500		
Heating Input Power (kW):	3.99		

SYSTEM DETAILS

Refrigerant Type:	R-410A	Cooling Operation Range (°F DB):	23 - 115
Holding Refrigerant Charge (lbs):	8.80	Heating Operation Range (°F WB):	-4 - 60
Additional Charge (lb/ft):	0.04	Max. Pipe Length (Vertical) (ft):	164
Pre-charge Piping (Length) (ft):	0	Cooling Range w/Baffle (°F DB):	0 - 115
Max. Pipe Length (Total) (ft):	230	Heating Range w/Baffle (°F WB):	-
Max Height Separation (Ind to Ind ft):	0		

Submittal Data Sheet

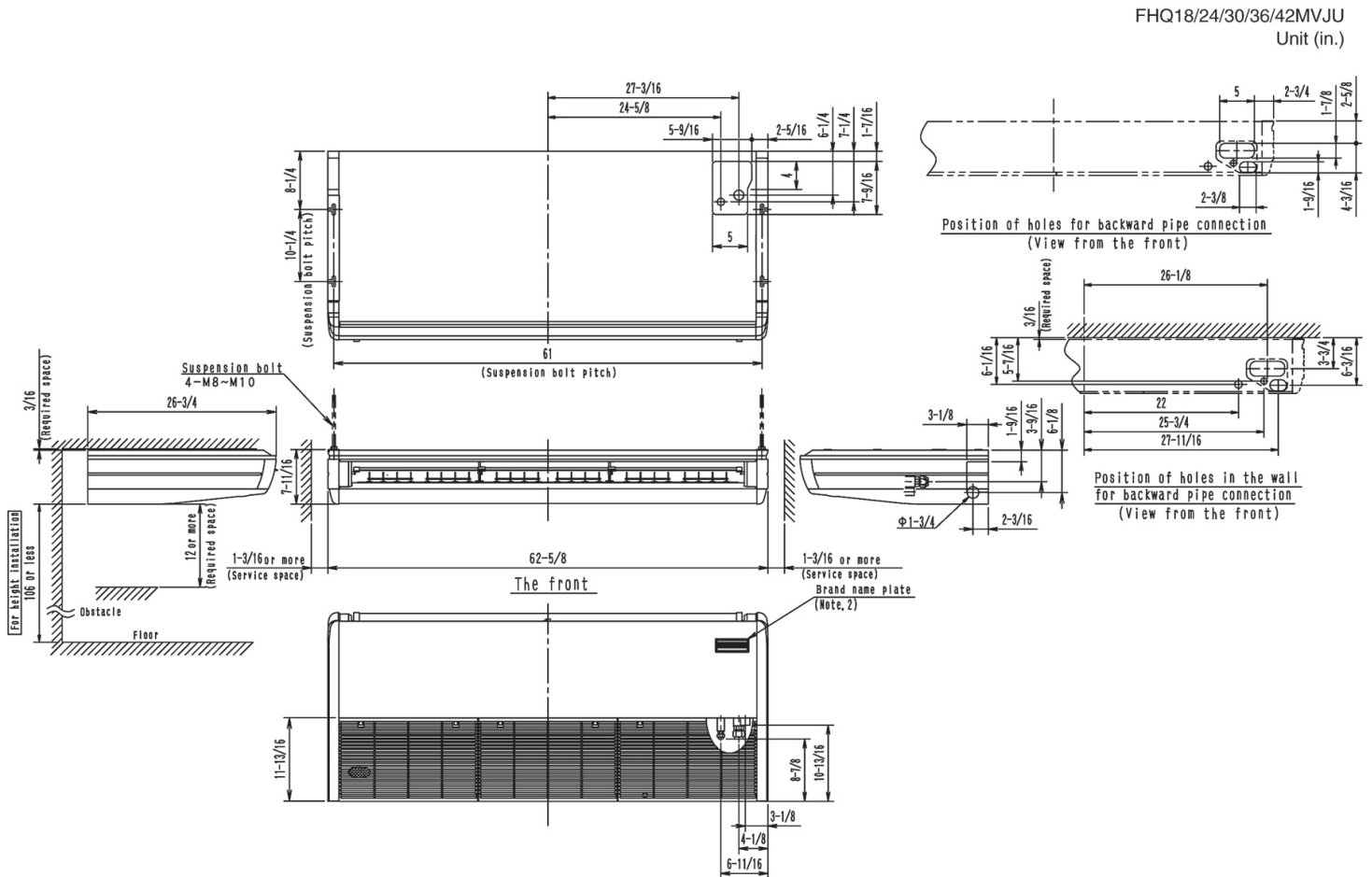
3.5-Ton Ceiling Suspended Unit

FHQ42MVJURZQ42PVJU8

INDOOR UNIT DETAILS

Power Supply (V/Hz/Ph):	208/230 / 60 / 1	Airflow Rate (H/L) (CFM):	850/700
Power Supply Connections:	L1, L2, Ground	Moisture Removal (Gal/hr):	
Min. Circuit Amps MCA (A):	1.4	Gas Pipe Connection (inch):	5/8
Max Overcurrent Protection (MOP) (A):	15	Liquid Pipe Connection (inch):	3/8
Dimensions (HxWxD) (in):	7-11/16 x 62-5/8 x 26-3/4	Condensate Connection (inch):	1
Net Weight (lb):	90	Sound Pressure (H) (dBA):	47
Ext. Static Pressure (Rated/Max) (inWg):	0 / 0	Sound Power Level (dBA):	

DIMENSIONAL DRAWING - INDOOR UNIT



Daikin North America LLC, 5151 San Felipe, Suite 500, Houston, TX, 77056

Daikin City Generated Submittal Data

www.daikinac.com www.daikincomfort.com

(Daikin's products are subject to continuous improvements. Daikin reserves the right to modify product design, specifications and information in this data sheet without notice and without incurring any obligations)

Submittal Date: 11/3/2017 12:36:35 PM

Page 3 of 4



Submittal Data Sheet

3.5-Ton Ceiling Suspended Unit

FHQ42MVJURZQ42PVJU8

OUTDOOR UNIT DETAILS

Power Supply (V/Hz/Ph):	208/230 / 1 1	Compressor Stage:	
Power Supply Connections:	L1, L2, Ground	Capacity Control Range (%):	-
Min. Circuit Amps MCA (A):	27	Airflow Rate (H) (CFM):	3740
Max Overcurrent Protection (MOP) (A):	30	Gas Pipe Connection (inch):	5/8
Max Starting Current MSC(A):		Liquid Pipe Connection (inch):	3/8
Rated Load Amps RLA(A):		Sound Pressure (H) (dBA):	58
Dimensions (HxWxD) (in):	52-15/16 x 35-7/16 x 12-5/8	Sound Power Level (dBA):	
Net Weight (lb):	283		

DIMENSIONAL DRAWING - OUTDOOR UNIT

