



**Submittal Data Sheet**

1.5-Ton Wall Mounted Cooling Only  
FAQ18TAVJURZR18TAVJUA

**INDOOR UNIT**



**OUTDOOR UNIT**





## Submittal Data Sheet

1.5-Ton Wall Mounted Cooling Only  
FAQ18TAVJURZR18TAVJUA

### SYSTEM PERFORMANCE

Indoor Unit Model No.	FAQ18TAVJU	Indoor Unit Name:	Sky-Air Wall Mounted
Outdoor Unit Model No.	RZR18TAVJUA	Outdoor Unit Name:	Sky-Air Cooling Only ODU
Rated Cooling Capacity (Btu/hr):	18,000	Rated Cooling Conditions:	Indoor (°F DB/WB): 80 / 67 Ambient (°F DB/WB): 95 / 75
Sensible Capacity (Btu/hr):	13,700	Rated Piping Length(ft):	25
Max/Min Cooling Capacity (Btu/hr):	/	Rated Height Difference (ft):	0.00
Cooling Input Power (kW):			
SEER (Non-Ducted/Ducted):	17.00 /		
EER (Non-Ducted/Ducted):	11.90 /		

### SYSTEM DETAILS

Refrigerant Type:	R-410A	Cooling Operation Range (°F DB):	23 - 122
Holding Refrigerant Charge (lbs):	6.4	Heating Operation Range (°F WB):	-
Additional Charge (lb/ft):	0.04	Max. Pipe Length (Vertical) (ft):	98
Pre-charge Piping (Length) (ft):	15	Cooling Range w/Baffle (°F DB):	0 - 122
Max. Pipe Length (Total) (ft):	164	Heating Range w/Baffle (°F WB):	-
Max Height Separation (Ind to Ind ft):	0		



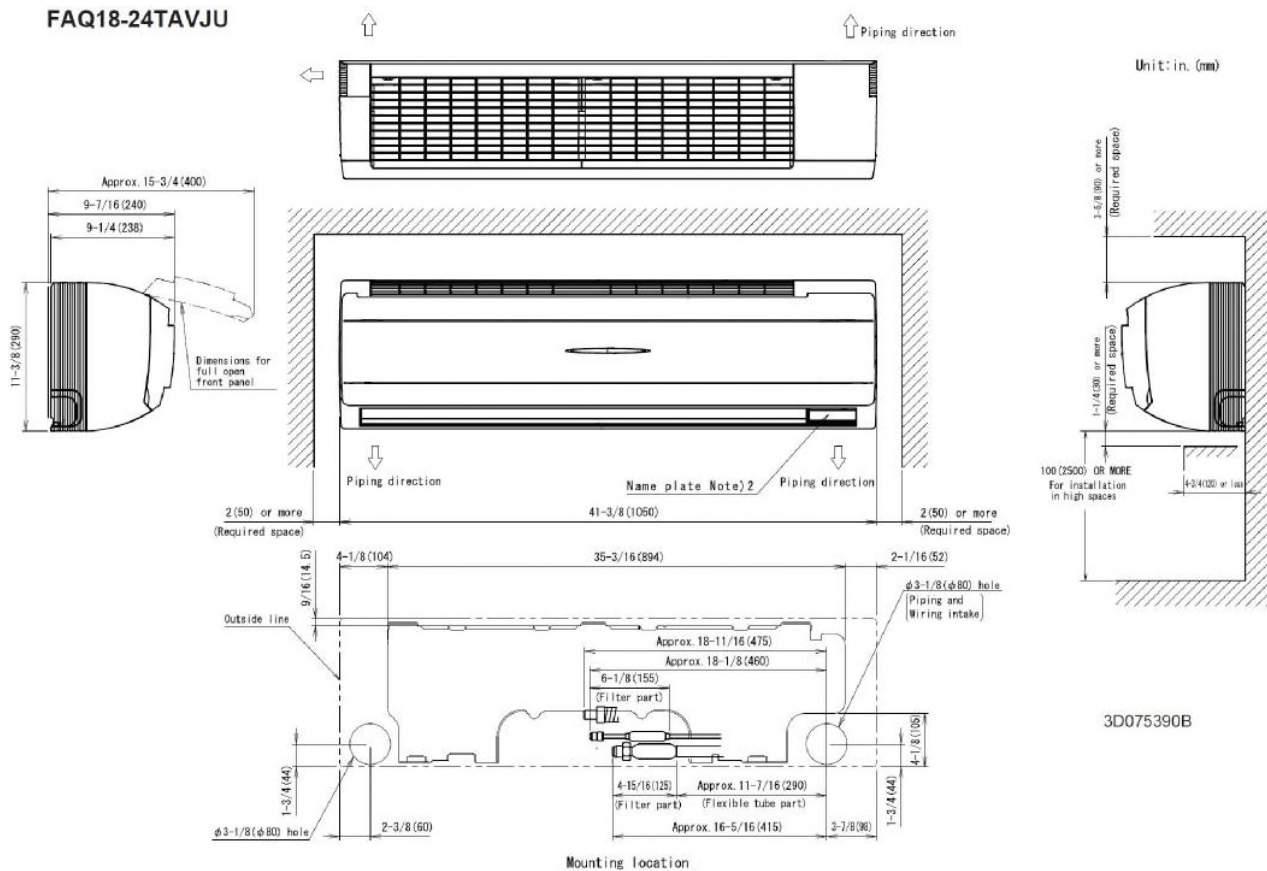
## Submittal Data Sheet

1.5-Ton Wall Mounted Cooling Only  
FAQ18TAVJURZR18TAVJUA

### INDOOR UNIT DETAILS

Power Supply (V/Hz/Ph):	208-230 / 60 / 1	Airflow Rate (H/L) (CFM):	500/400
Power Supply Connections:	L1, L2, Ground	Moisture Removal (Gal/hr):	
Min. Circuit Amps MCA (A):	0.5	Gas Pipe Connection (inch):	5/8
Max Overcurrent Protection (MOP) (A):	15	Liquid Pipe Connection (inch):	3/8
Dimensions (HxWxD) (in):	11-3/8 x 41-3/8 x 9-1/4	Condensate Connection (inch):	1/2
Net Weight (lb):	31	Sound Pressure (H/L) (dBA):	43/37
Ext. Static Pressure (Rated/Max) (inWg):	/	Sound Power Level (dBA):	

### DIMENSIONAL DRAWING - INDOOR UNIT





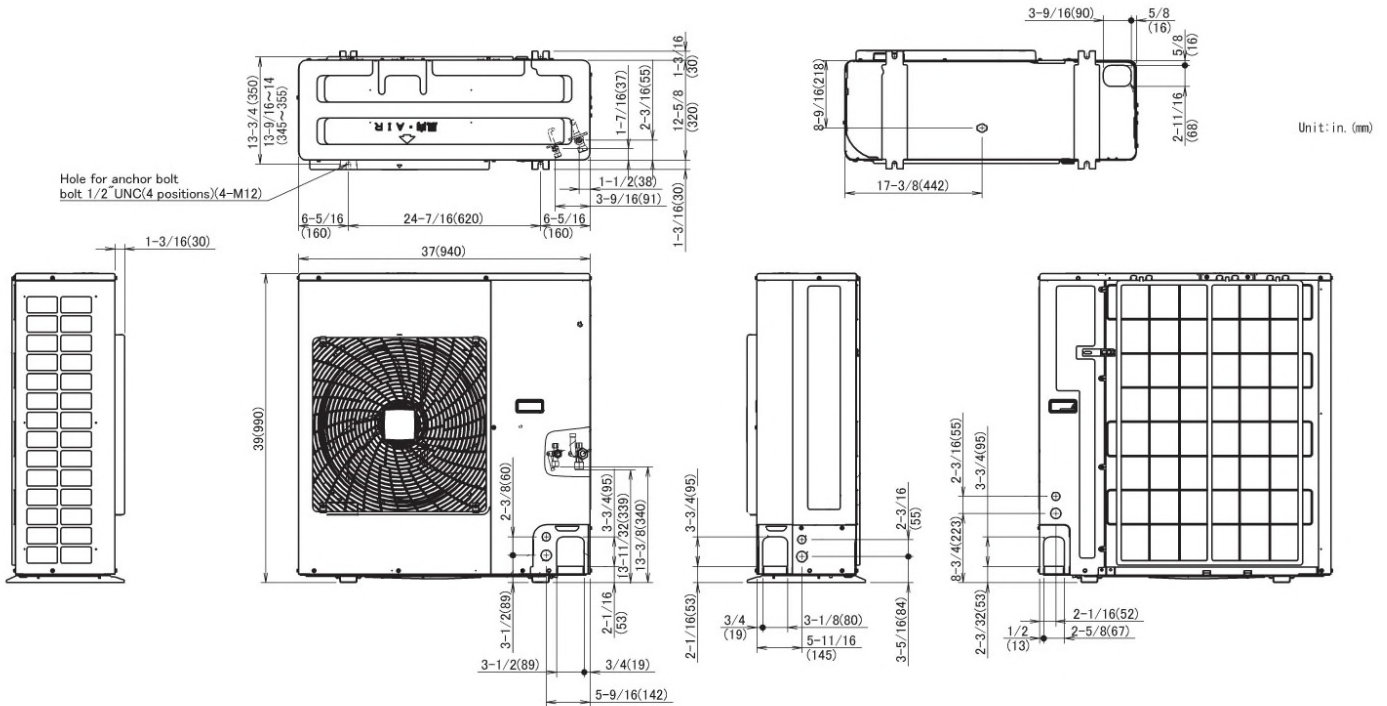
## Submittal Data Sheet

1.5-Ton Wall Mounted Cooling Only  
 FAQ18TAVJURZR18TAVJUA

### OUTDOOR UNIT DETAILS

Power Supply (V/Hz/Ph):	208-230 / 60 / 1	Compressor Stage:	
Power Supply Connections:	L1, L2, Ground	Capacity Control Range (%):	14 - 100
Min. Circuit Amps MCA (A):	16.5	Airflow Rate (H) (CFM):	2682
Max Overcurrent Protection (MOP) (A):	20	Gas Pipe Connection (inch):	5/8
Max Starting Current MSC(A):		Liquid Pipe Connection (inch):	3/8
Rated Load Amps RLA(A):	15.3	Sound Pressure (H) (dBA):	58
Dimensions (HxWxD) (in):	39 x 37 x 12-5/8	Sound Power Level (dBA):	
Net Weight (lb):	172		

### DIMENSIONAL DRAWING - OUTDOOR UNIT



Daikin North America LLC, 5151 San Felipe, Suite 500, Houston, TX, 77056

Daikin City Generated Submittal Data

[www.daikinac.com](http://www.daikinac.com) [www.daikincomfort.com](http://www.daikincomfort.com)

(Daikin's products are subject to continuous improvements. Daikin reserves the right to modify product design, specifications and information in this data sheet without notice and without incurring any obligations)

Submittal Date: May 2020

Page 4 of 4