



Submittal Data Sheet

Daikin Zoning Kit
DZKS015E4-3

The DZK increases the flexibility of Daikin VRV and Sky Air systems by adding a zoning damper box for independent zone temperature control from a single indoor unit.



DZKS015E4-3

Model	DZKS015E4-3
Description	Daikin Zoning Kit
Damper Control	Flow Control System by Airzone
Damper Size	6"
Damper Quantity	4
Insulation Value	R4
Operating Range	32 to 122°F (0 to 50°C) 5% to 90% RH (non-condensing)
Weight	18.08 lb (8.2 kg)
Dimensions HxWxD	9-5/16 x 34-3/16 x 10-7/16 (237 x 868 x 265 mm)
Electrical	110/230VAC, 1Ø, 50/60Hz, 250mA
Compatible Indoor Units	FXSQ15TAVJU FDMQ09RVJU FDMQ12RVJU



DZK-MTS-3-W

FEATURES

- Each zone is capable of:
 - Independent set point control
 - Set point range limitation
 - 7 day occupancy/usage scheduling
 - Local ventilation mode
 - Adjustable min/max zone opening position
- Option to link multiple outlets for larger zones
- Option to cap and close unused outlets
- Auto changeover logic including adjustable zone weighting
- Automatic control of fan speed based on each damper's demand
- Direct control integration to the Daikin indoor unit through the P1/P2 protocol
- Pre-assembled plenum box and simple bolt on design saves installation time
- Centralized zone control and monitoring when using DZK-BACNET-3



DZK-ZTS-3-W

OPTIONAL THERMOSTATS & ACCESSORIES

- **DZK-MTS-3-W** – Wired Thermostat*
- **DZK-ZTS-3-W** – Wireless Thermostat
- **DZK-LTS-3-W** – Wireless Lite Thermostat
- **DZK-BACNET-3** – BACNET Interface

*Minimum (1) wired thermostat required



DZK-LTS-3-W

Daikin North America LLC, 5151 San Felipe, Suite 500, Houston, TX 77056

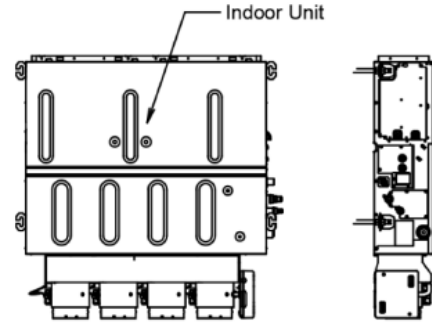
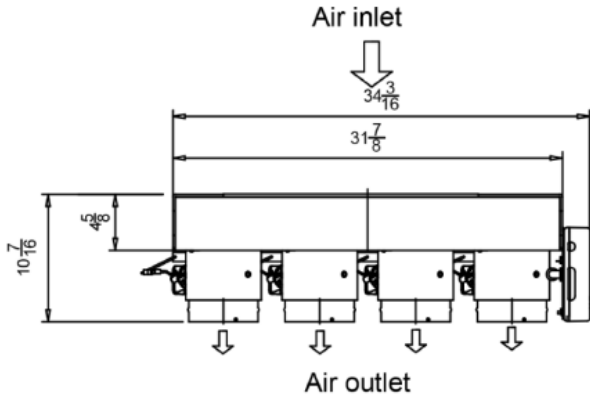
www.daikinac.com www.daikincomfort.com

(Daikin's products are subject to continuous improvements. Daikin reserves the right to modify product design, specifications, and information in this data sheet without notice and without incurring any obligations)

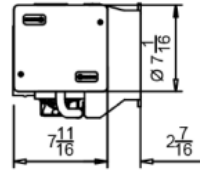
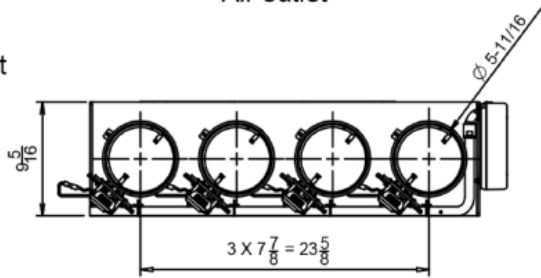
Submittal Data Sheet

Daikin Zoning Kit
DZKS015E4-3

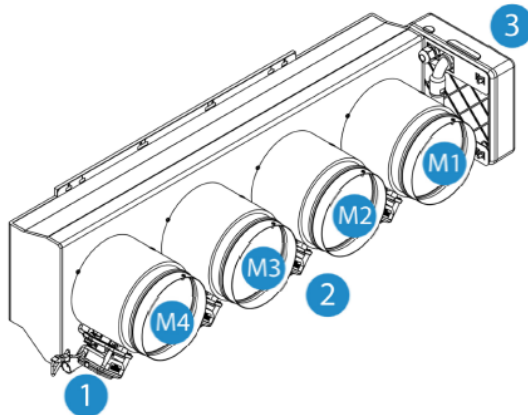
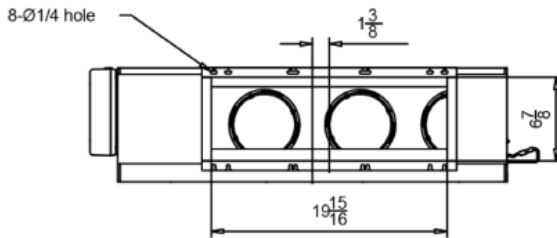
DIMENSIONAL DRAWING



Front



Rear



Meaning	
1	Actuator
2	Damper
3	Main control board
M1... M4	Damper number from 1 to 4