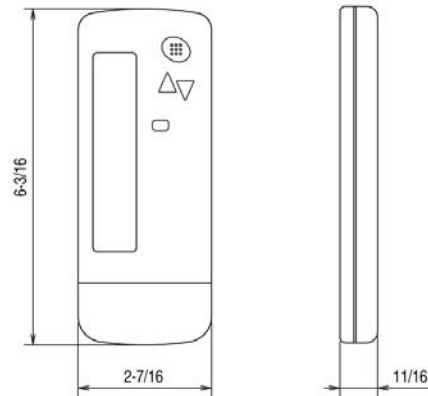


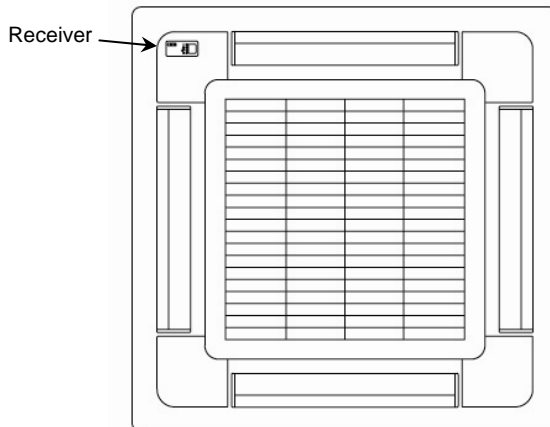
Job Name: _____ Location: _____
 Purchaser: _____
 Engineer: _____
 Submitted To: _____ For: Reference Approval Construction
 Submitted By: _____ Date: _____
 Unit Designation: Schedule #: _____ Model No.: _____

For use with the following Daikin VRV Model: FXFQ
 For use with the following Daikin SkyAir Model: FCQ

FEATURES / BENEFITS	
<ul style="list-style-type: none"> • 1 group/maximum of 16 units controllable. • Simple, compact and easy-to-operate unit. 	
OPERATION	Start/Stop
	Operation Mode
	Temperature Setting
	60°F – 90°F Set Point Range
	Fan Speed
	Airflow Direction
MONITORING	Status
	Malfunction Flashing
	Malfunction Content
	Operation Mode
	Temperature Setting
	Fan Speed
SCHEDULING	Auto ON/OFF Timer
	Field Setting Mode
CONTROL MANAGEMENT	



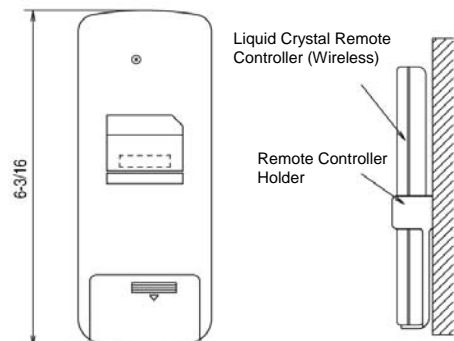
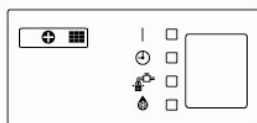
Receiver Installation Procedure



Wireless Receiver Controller Kit for Each Decoration Panel

Wireless remote controller kit	Decoration panel
BRC7C812	BYC125K-W1

Receiver Detail



Liquid Crystal Remote Controller (Wireless)

Remote Controller Holder