

NEW

JACE® BMS Plug-ins

Applications

- Simple integration of VRV system
- Plug and play system management

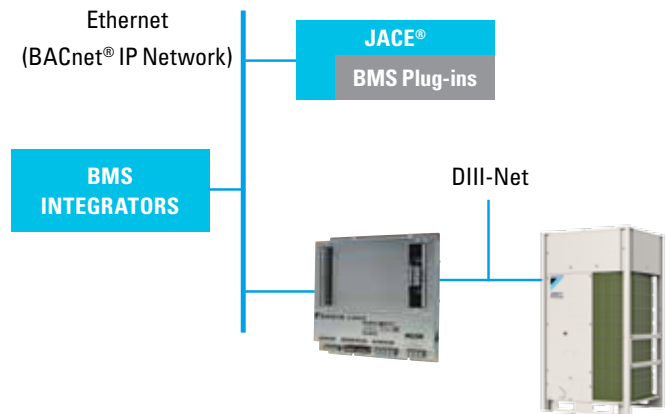
DAIKIN

VRV

BMS Plug-in – Facilitate Easy Integration with VRV System

For Niagara^{AX}®

Compared with traditional HVAC systems, the VRV control logic is different and may seem challenging for integrators that are not familiar with the VRV systems. Daikin endeavors to resolve this issue by providing BMS Plug-ins to the integrators for easy integration. BMS Plug-ins are pre-programmed objects and graphics built for Niagara^{AX}® specifically for Daikin VRV. By the use of BMS Plug-ins, the integrators work load could be reduced to as little as point linking.



Features/Benefits

- Built with the most commonly used BMS Platform
 - Niagara^{AX}®
- Easy Integration for integrators
 - Graphics with provided PX Files
 - Simple point linking with programmed functions
- Reduced possibility of integration issues with VRV systems
- Potential cost saving to project.

Specifications

- Pre-programmed objects
 - Auto changeover - dual and single setpoint
 - Setback
 - Setpoint range limitation - dual and single setpoint

- Replicable graphics
- Applicable to both heat pump and heat recovery system
- Locally developed software package that can be updated to meet the market needs.

System Compatibility

Compatible with Niagara^{AX}® based BMS systems version 3.8 and above.

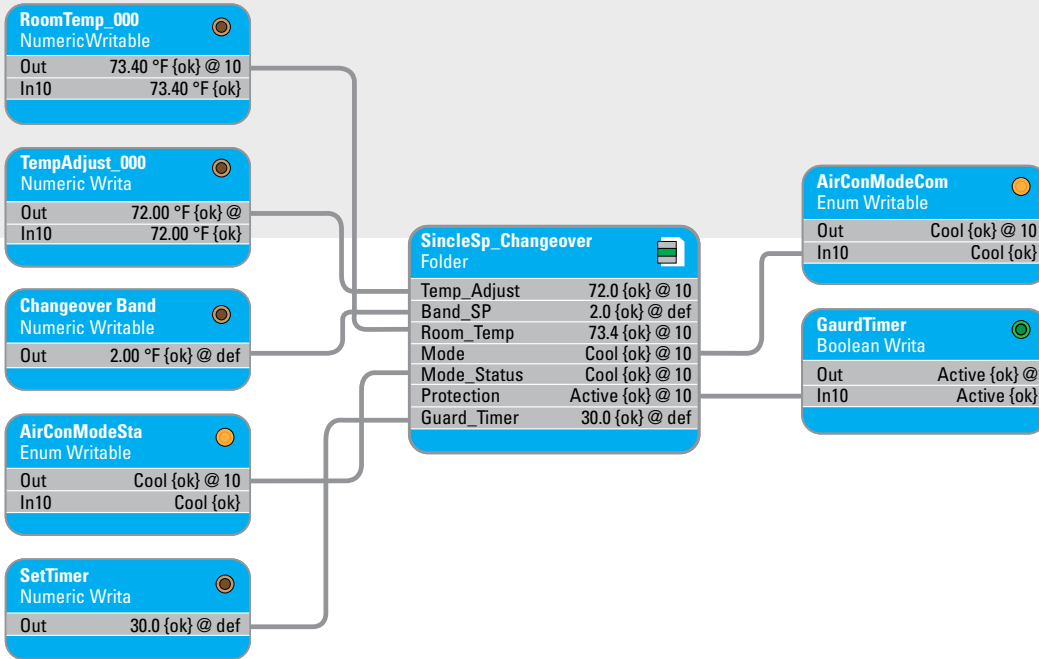
How to Acquire

The BMS Plug-ins are free of cost.

The BMS Plug-ins can be downloaded from Daikin City.

Available October 2015

BMS Plug-in Logic Diagram*



Roles with BMS Plug-ins

DAIKIN

BMS Plug-ins
Graphics
Programming Functions
 Scheduling
 Monitoring
 Auto Changeover
 Setpoint Range Limitation
 Setback
 Unoccupied Override
BACnet Gateway
 Gateway Points

INTEGRATOR

Linking to BMS Plug-ins

FC-1 – Graphical User Interface (GUI)*



	True	Cool
Fan Speed	2	SET
Guard Time		Active

Setpoints

Setpoint	72.00 °F	Override
Min_Setpoint	70.00 °F	SET
Max_Setpoint	76.00 °F	SET
UnOccHeat	70.00 °F	SET
Unocccool	80.00 °F	SET
SetbackRecovery	4.00 °F	SET

Operation Details

Occupancy Schedule	●
Setback	●
Afterhours Override	●
Override Timer (mins)	120 mins
Unit Stats	●

Advanced Information

Filter Sign	false	RESET
Alarm	false	
Malfunction Code	00	
Compressor Status	true	
Thermo Status	true	
Communication status	true	

Room Temp

73.90 °F

*Images for representation only, actual implementation may differ.

Find out more about BMS Plug-ins. Visit www.DaikinCity.com. Niagara[®] and JACE are registered trademarks of Tridium Inc.



Our continuing commitment to quality products may mean a change in specifications without notice.
 © 2015 **DAIKIN NORTH AMERICA LLC** · Houston, Texas · USA · www.daikincomfort.com