



# FTQ SERIES DUCTED HEAT PUMP SYSTEMS

INDOOR AND OUTDOOR UNITS  
Up to 20 SEER / Up to 12 HSPF / Up to 14.5 EER  
INVERTER, VARIABLE SPEED COMPRESSOR

# FTQ SERIES DUCTED HEAT PUMP SYSTEMS LEADING TECHNICAL PERFORMANCE

Model	Indoor Unit		FTQ18PBVJU		FTQ24PBVJU		FTQ30PBVJU		FTQ36PBVJU		FTQ42PBVJU	
	Outdoor Unit		RZQ18PVJU8		RZQ24PVJU8		RZQ30PVJU7		RZQ36PVJU8		RZQ42PVJU8	
			Cooling	Heating	Cooling	Heating	Cooling	Heating	Cooling	Heating	Cooling	Heating
Capacity Rated	Btu/h		18,000	20,000	24,000	27,000	30,000	34,000	36,000	40,000	42,000	47,000
COP Rated			3.98		3.8		3.7		3.6		3.2	
EER Rated			14.5		13.5		13		12.2		11	
SEER			20		19		17.6		17		16	
HSPF			12		11.5		9.5		9.5		9	
Piping Connections	Liquid	in. (mm)	Ø 3/8 (Ø 9.5)									
	Gas		Ø 5/8 (Ø 15.8)									
	Drain		Ø 1 (Ø 25.4)									
Max. Interunit Piping Length			98.4 (30)				230 (70)					
Max. Interunit Height Difference	ft. (m)		98.4 (30)				164 (50)					
Chargeless			5.1 (2.3)				8.8 (2.6)					
Amount of Additional Charge of Refrigerant	lb/ft (kg/m)		(Liquid Piping Length x 0.036) + 0.35; (Liquid Piping Length x 0.0535) + 0.16									
Operating Range - Cooling	° F DB		23° – 115°F									
Operating Range - Heating	° F WD		0° – 60°F				-4° – 60°F					
Indoor Unit			FHQ18PVJU	FHQ24PVJU	FHQ30PVJU	FHQ36MVJU	FHQ42MVJU					
Airflow Rate	H	cfm (m³/min)	600 (17)	800 (22.7)	1000 (28.3)	1200 (34)	1400 (39.6)					
	M		510 (14.4)	680 (19.3)	850 (24.1)	1020 (28.9)	1190 (32.6)					
	L		420 (11.9)	560 (15.9)	700 (19.8)	840 (23.8)	980 (27.8)					
Fan	Type		Sirocco Fan									
Air Direction Control			N/A									
Air Filter			N/A									
Dimensions (H x W x D)	in. (mm)		48-1/8 x 22 x 26 (1,222 x 559 x 660)			58-1/4 x 22 x 26 (1,480 x 559 x 660)						
Weight	Lbs (kg)		161 (73)		192 (87)		203 (92)					
Sound Pressure Level (H / M / L / SL)	dB(A)		N/A									
Outdoor Unit			RZQ18PVJU8	RZQ24PVJU8	RZQ30PVJU7	RZQ36PVJU8	RZQ42PVJU8					
Compressor	Motor Output	W	1,700		2,000	2,500	3,000					
Refrigerant	Type		R-410A									
	Charge	Lbs (kg)	5.1 (2.3)		8.8 (4)							
Airflow Rate	H	cfm (m³/min)	1,835 (559)			3,740 (1,140)						
Dimensions (H x W x D)	in. (mm)		30-5/16 x 35-7/16 x 12-5/8 (770 x 900 x 321)			52-15/16 x 35-7/16 x 12-5/8 (1,345 x 900 x 321)						
Weight	Lbs (kg)		150 (68)			283 (128)						
Sound Pressure Level	H	dB(A)	49			58						

## ELECTRIC HEATER CAPACITY

Model Name	HKR-03	HKR-05C	HKR-06	HKR-08C	HKR-10C	HKR-15C
FTQ18PBVJU	○	●	●	X	X	X
FTQ24PBVJU	○	●	●	●	●	X
FTQ30PBVJU	○	○	●	●	●	X
FTQ36PBVJU	○	○	●	●	●	X
FTQ42PBVJU	○	○	○	○	●	●*

○ Only electric heater operation is allowed    ● Electric heater option with heat pump is allowed    X Not allowed.

\* Acceptable for 2-step control

## AIR ADJUSTMENT GRILLE

KPW5E80	RZQ18PVJU8, RZQ24PVJU8, RZQ30PVJU8 (x2), RZQ36PVJU8 (x2), RZQ42PVJU8 (x2)
---------	---



## Comfort

We offer a wide range of products, and always provide you with the ideal solution, whether for an apartment, condo or a house. Our units are whisper quiet and, with their specially designed airflow pattern, they create your ideal indoor climate.

Daikin units are designed to include features that let you create your own unique ecosystem. From the wide-angle louver design to the auto-swing and comfortable mode controller settings, effective heating and cooling is ensured throughout the space.

## Smart Inverter Technology

Integrated with an inverter variable-speed compressor, Daikin systems deliver the capacity required to maintain desired room conditions, typically reducing energy consumption by up to 30% or more (compared to traditional fixed-speed ducted systems). This technology minimizes temperature fluctuations and provides continuous cooling and heating comfort.

## Energy efficiency

Our products are designed to be highly efficient all year round, and their low energy consumption is reflected in low energy bills for you.

## Flexibility

With space saving design, wide operation range and long pipe lengths you have maximum flexibility in your design to suit your needs.

## Reliability

Daikin products are renowned for their reliability. And you can rely on service to match, with industry leading warranties.\*



\*Complete warranty details available from your local dealer or at [www.daikincomfort.com](http://www.daikincomfort.com).

**FTQ SERIES DUCTED HEAT PUMP SYSTEMS**  
 Up to 20 SEER / Up to 12 HSPF / Up to 14.5 EER  
 INVERTER, VARIABLE SPEED COMPRESSOR

**Feel the difference.**

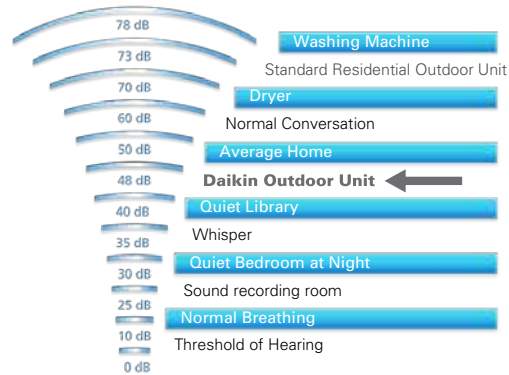
Designed for superior heating capacity in low ambient conditions, Daikin Inverter Ducted systems provide comfortable heating operation down to -4°F (-20°C), with up to 100% of nominal capacity available at temperatures as low as 14°F (-10°C). This capability can help simplify installation

cost and operational cost by eliminating the need for additional supplemental electric heat. As a year round solution, the Daikin Inverter Ducted systems also operate in Cooling mode from 23°F (-5°C) to 115°F (46°C).

**Hear the difference.**

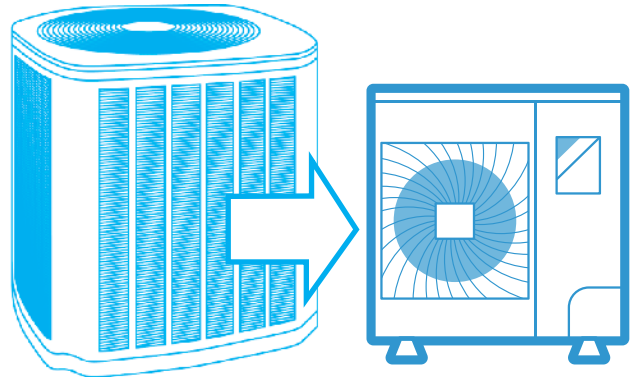
Daikin Inverter Ducted systems are optimized for sound sensitive applications. By adopting Inverter Compressors and Fan Motors on the outdoor unit, along with sound limiting features such as compressor blankets and aero grilles, the Daikin systems operate at significantly lower sound levels than traditional residential HVAC outdoor units, as low as 49dB(A).

Sound levels as low as:



**See the difference.**

A Daikin inverter-ducted systems is designed for installation where space is a premium such as with zero lot lines, or limited to roof, wall or terrace areas. The compact and lightweight design, when compared to traditional solutions allows the Daikin inverter-ducted system to be used in homes with the strictest of limitations with relative ease.



**Knowledge is power**

In general, system performance is measured by a higher Seasonal Energy Efficiency Ratio (SEER) and Energy Efficiency Ratio (EER). Higher ratings mean lower operating costs. Similarly, a higher rated Heating Seasonal Performance Factor (HSPF) and Coefficient of Performance (COP) means a more efficient air-source heat pump.

**Why is it important?**

The COP of a heat pump is the ratio of :  $COP = \frac{\text{energy out}}{\text{energy in}}$   
 When the COP is >1, the result is a system providing more heating energy than energy consumed. As the COP increases, the higher the efficiency — resulting in lower utility costs.

	Up to	
	<b>20 SEER</b>	<b>14.5 EER</b>
	<b>12.0 HSPF</b>	<b>3.98 COP</b>
	(Coefficient of Performance)	
	Inverter Ducted Heat Pump Efficiency ratings	

**COP** | Oil 85 | Natural Gas 95 | Electricity 1.00 | **FTQ SERIES 3.98 COP**

# FTQ Series

## Standard features

- » Upflow or horizontal right configurations for the indoor unit
- » Energy efficiency up to SEER 20.0
- » High heating capacity at low ambient temperatures as low as -4°F with no electrical heat
- » Field-installed electric heater options available from 3 kW to 15 kW (electric heater connection kit part no. KER26A60 required for electric heat integration)
- » Low outdoor unit sound levels (as low as 49 dB(A))

## Time-saving installation

- » Volt-free float switch integration option
- » Corrosion-resistant coating on outdoor unit heat exchanger
- » Indoor fan coil unit with up flow or horizontal right configurations
- » Heating and Cooling Fan Auto mode can be configured separately
- » Dual-voltage 208-230V/1/60 Hz power supply
- » Optional electric resistance heat
- » Gravity-fed drain connection

## Outdoor unit features:



**Anti-Corrosion Treatment on Heat Exchanger**



**Auto-Restart** – The unit memorizes the operation mode, airflow and temperature settings. Should there be a power failure when the unit is in operation, it will automatically return to the same operating conditions when the power is restored.



**Self-Diagnosis** – In the event that a problem develops with the unit, malfunction codes can be displayed on the liquid crystal panel of the remote control for fast and easy fault diagnosis.



RZQ\_PVJU8  
RZQ\_PVJU7



FTQ\_PBVJU



BRC1E73  
(Option)



BRC7E83  
(Option)



## Ease of Installation

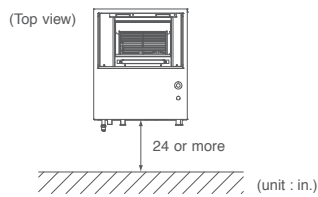
Connected by a pair of refrigerant lines, few electrical connections, and little to no ductwork, indoor and outdoor units can be easily installed in existing spaces with minor disruption and often in a single day's work. The compact and lightweight designs combined with flexible piping and minimal wiring allow installation with minimal time and costs.

### FTQ18/24/30/36/42/PBVJU

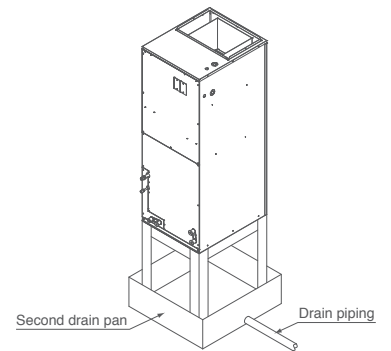
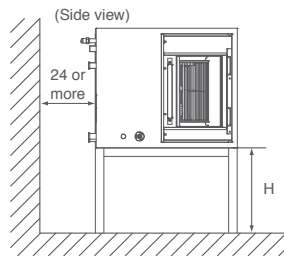
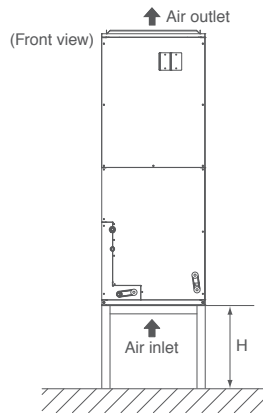
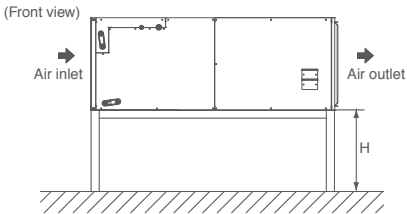
Space required for installation (in.)  
H = 19" 1/8

The installation of a secondary drain pan is necessary as shown below. Always refer to installation manuals for details.

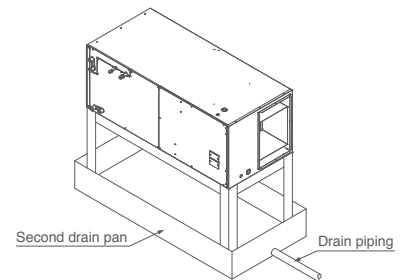
If installed vertically



If installed horizontally



If installed horizontally

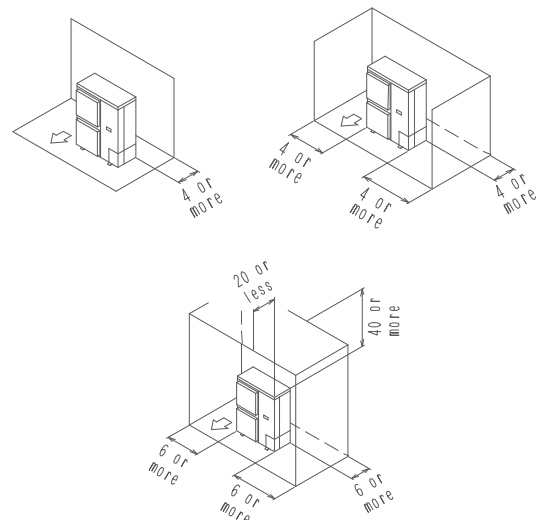
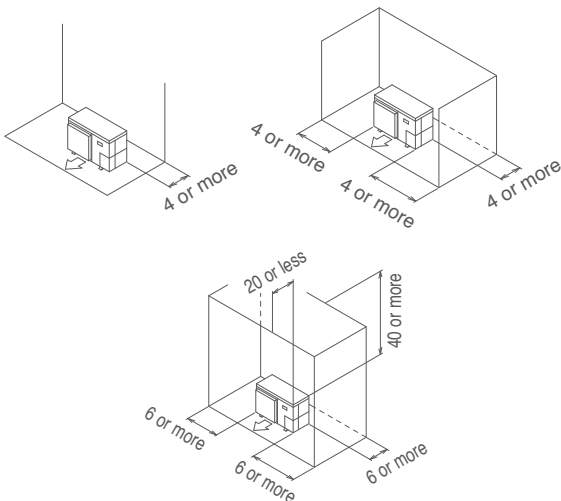


### RZQ18/24PVJU8 Single-Fan Unit

Space required for installation (in.)

### RZQ30PVJU7/RZQ36/42PVJU8 Double-Fan Unit

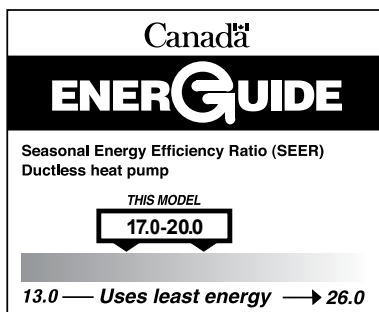
For double fan outdoor modules, the requirements are similar in some cases. Always refer to installation manuals for details.





#### WARNINGS:

- >> Always use a licensed installer or contractor to install this product. Do not try to install the product yourself. Improper installation can result in water or refrigerant leakage, electrical shock, fire or explosion.
- >> Use only those parts and accessories supplied or specified by Daikin. Ask a licensed contractor to install those parts and accessories. Use of unauthorized parts and accessories or improper installation of parts and accessories can result in water or refrigerant leakage, electrical shock, fire or explosion.
- >> Read the User's Manual carefully before using this product. The User's Manual provides important safety instructions and warnings. Be sure to follow these instructions and warnings.
- >> For any inquiries, contact your local Daikin sales office.



#### ADDITIONAL INFORMATION

Before purchasing this appliance, read important information about its estimated annual energy consumption, yearly operating cost, or energy efficiency rating that is available from your retailer.



Our continuing commitment to quality products may mean a change in specifications without notice.

© 2017 **DAIKIN NORTH AMERICA LLC** · Houston, Texas · USA · [www.daikincomfort.com](http://www.daikincomfort.com) or [www.daikinac.com](http://www.daikinac.com)

CB-FTQDUCTED 09-17