

Project Name: _____
 Location: _____
 Engineer: _____
 Submitted to: _____
 Submitted by: _____
 Reference: _____

Approval: _____
 Date: _____
 Construction: _____
 Unit #: _____
 Drawing #: _____

Performance

Indoor Unit Model No: Mixed
 Outdoor Unit Model No: 2MXS18GVJU
 Cooling Capacity (Btu/hr): 18000
 Sensible Capacity (Btu/hr): 0
 Cooling Input Power (kW): _____
 Cooling EER (Btu/hr / kW): 10.8
 SEER: 16.3
 Heating Capacity (Btu/hr): 20000
 Heating Input Power (kW): _____
 Heating COP (Btu/hr / Btu/hr): 3.15
 HSPF: 8.5

Indoor Unit Type: _____
 Condensing Unit Type: 2 Zone Multi Heat Pump
 Cooling Nominal Conditions: Indoor: 80°F DB/67°F WB
 Outdoor: 95°F DB/75°F WB
 Water Cooled: _____
 Heating Nominal Conditions: Indoor: 47°F DB/43°F WB
 Outdoor: 47°F DB/43°F WB
 Water Cooled: _____
 Nominal Piping Length: 25
 Nominal Height Separation: 0
 Nominal Water Flow Rate: _____

Indoor Unit Details

Power Supply (V/Hz/Ph): N/A
 Power Supply Connections: _____
 Min. Circuit Amps MCA (A): _____
 Max. Fusible Amps MFA (A): _____
 Dimensions (HxWxD): N/A
 Panel (HxWxD): N/A
 Net Weight (lbs): _____
 Weight with Panel (lbs): _____

Airflow Rate (CFM wet coil): N/A
 Moisture Removal (pt/h): _____
 Gas Pipe Connection (inch): _____
 Liquid Pipe Connection (inch): _____
 Condensate Connection (inch): _____
 Sound Pressure Level (dBA): _____
 Sound Power Level (dBA): _____
 Nominal External Static Pressure (inH2O): _____
 Max Ext Static Pressure (inH2O): _____

Condensing Unit Details

Power Supply (V/Hz/Ph): 208-230/60/1ph
 Power Supply Connections: L1, L2, Ground
 Min. Circuit Amps MCA (A): 11.1
 Max. Fusible Amps MFA (A): 20
 Max. Starting Current MSC(A): 8.3
 Rated Load Amps RLA (A): 7.7
 Total Overcurrent Amps (A): _____
 Dimensions (HxWxD): 28-15/16x32-1/2x11-13/16
 Net Weight (lbs): 139
 Compressor Type: Inverter
 Capacity Control Range (%): _____
 Capacity Index Limit: _____

Airflow Rate (CFM): 1730
 Gas Pipe Connection (inch): 3/8 x2
 Liquid Pipe Connection (inch): 1/4 x2
 H/L Pressure Connection (inch): _____
 H/L Equalizing Connection (inch): _____
 Water Inlet Connection (inch FPT): _____
 Water Outlet Connection (inch FPT): _____
 Condensate Drain Outlet (inch FPS): _____
 Sound Pressure Level (dBA): 51
 Sound Power Level (dBA): _____
 Unit Heat Rejection (kW): _____
 Max. No. of Indoor Units: 2

System Details

Refrigerant Type: R-410A
 Holding Refrigerant Charge (lbs): 5.73
 Additional Charge (oz/ft): 0.22
 Pre-charge Piping (Length ft): 98.4 ft
 Max. Pipe Length (Total ft): 164/82 ft
 Max. Pipe Length (Vertical ft): 49.2 ft

Cooling Operation Range (°F): 14 - 115
 Cooling Range w/Baffle (°F): 14 - 115
 Heating Operation Range (°F): 5 - 72
 Heating Range w/Baffle (°F): 5 - 72
 Cooling Inlet Water Temp (°F): _____
 Heating Inlet Water Temp (°F): _____
 Water Flow Range (GPM): _____

Submittal Data Sheet

Project Name: _____
Location: _____
Engineer: _____
Submitted to: _____
Submitted by: _____
Reference: _____

Approval: _____
Date: _____
Construction: _____
Unit #: _____
Drawing #: _____

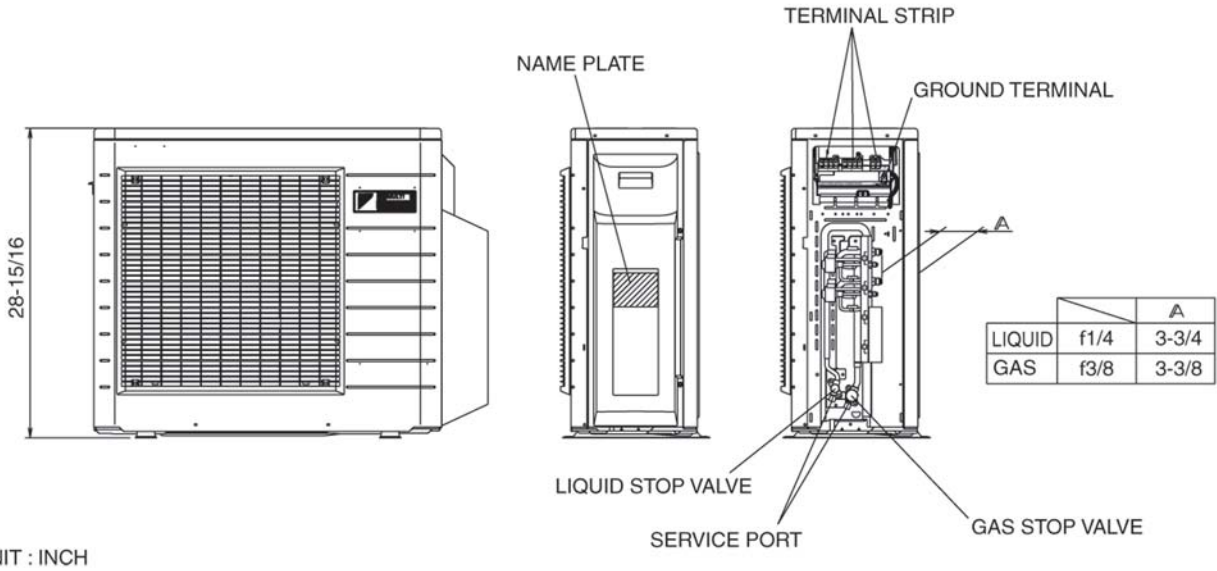
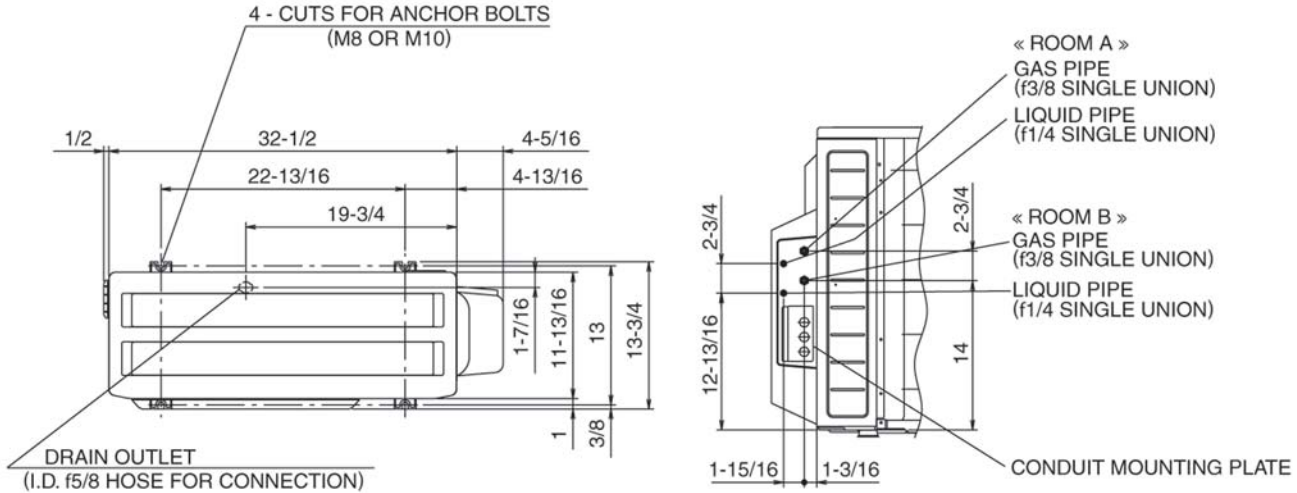


Submittal Data Sheet

Project Name: _____
 Location: _____
 Engineer: _____
 Submitted to: _____
 Submitted by: _____
 Reference: _____

Approval: _____
 Date: _____
 Construction: _____
 Unit #: _____
 Drawing #: _____

Dimensional Drawing - Condensing Unit



UNIT : INCH

Project Name: _____
Location: _____
Engineer: _____
Submitted to: _____
Submitted by: _____
Reference: _____

Approval: _____
Date: _____
Construction: _____
Unit #: _____
Drawing #: _____

Notes

Std U.S. Warranty: 7yrs Compressor, 5yrs Parts, 1yr Limited Labor