

DAIKIN ABC I/P PRINTED CIRCUIT BOARD KIT
 BRP2A81 1P237872-1

PLEASE READ THESE "SAFETY PRECAUTIONS" CAREFULLY BEFORE INSTALLING
 The following two conventions are used to indicate and classify precautions in this manual.
 Always heed the important safety information provided with them.

WARNING Failure to follow these instructions properly may result in personal injury or loss of life.
CAUTION Failure to observe these instructions properly may result in property damage or personal injury, which may be serious depending on the circumstances.

Make sure that the unit operates properly after completing the installation, and explain to the customer how to operate the unit and keep it maintained.
 Also, advise the customer that they should keep this installation manual along with other manual for future reference.
 At the time of the installation, read the installation manual of the unit along with the electric diagram.

WARNING

Ask your dealer or qualified personnel to carry out installation work.
 Do not attempt to install the air conditioner yourself. Improper installation may result in water leakage, electric shocks or fire.
 Install the kit in accordance with the instructions in this installation manual.
 Improper installation may result in electric shocks or fire.

Be sure to use ONLY the specified accessories and parts for the installation work.
 Failure to use the specified parts may cause the kit to fail or result in electric shocks or fire.
 Make certain that all electrical work is carried out by qualified personnel according to the local laws and regulations and this installation manual, using a separate circuit.
 Insufficient capacity of the power supply circuit or improper electrical construction may lead to electric shocks or fire.

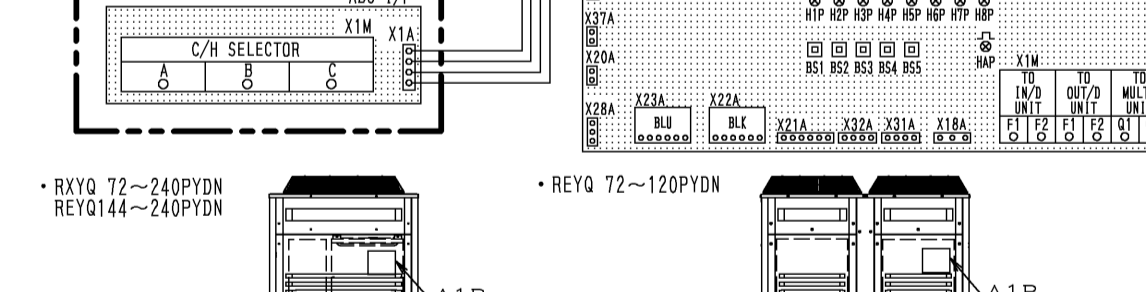
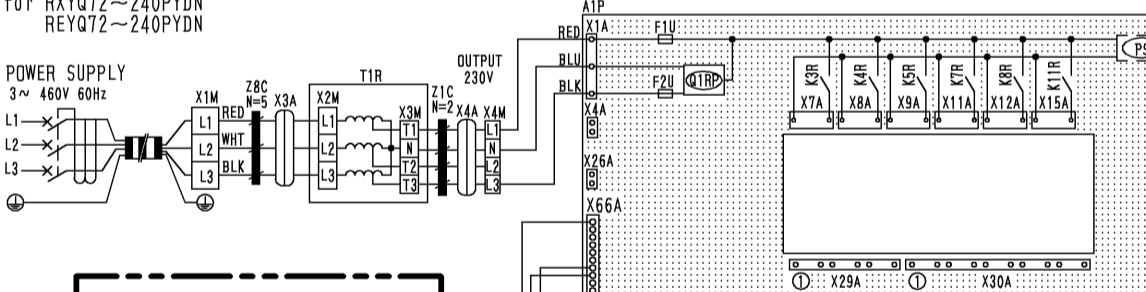
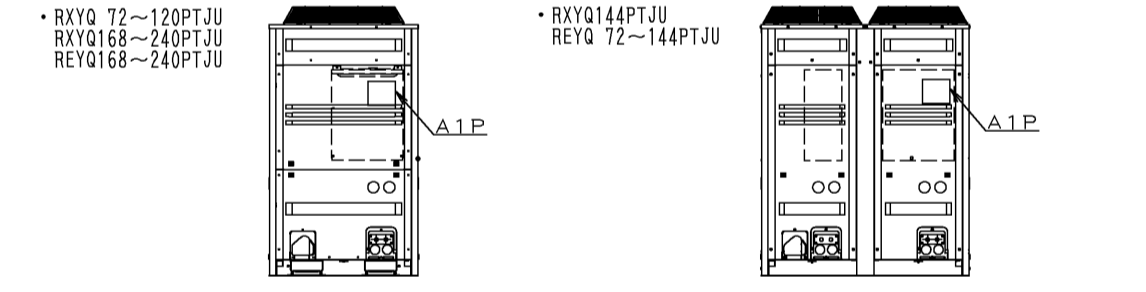
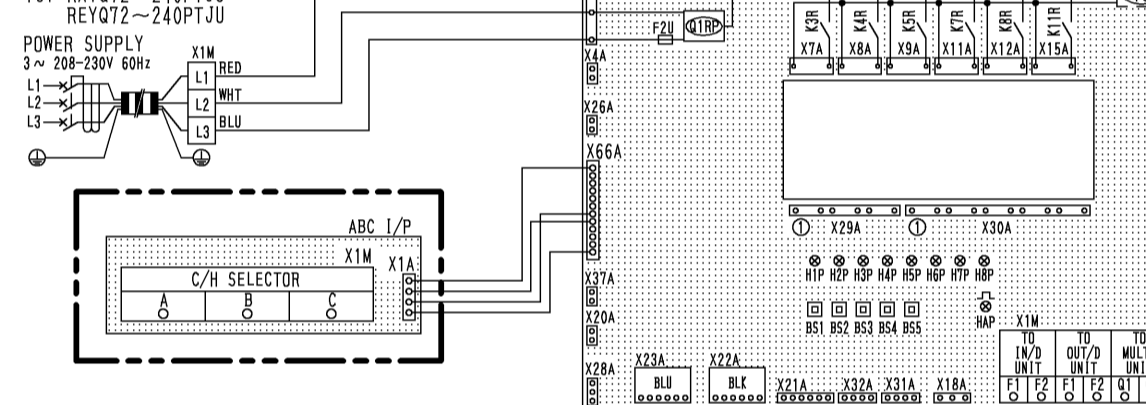
Turn off the unit before touching electrical parts.
 An electric shock may be received if charged parts come in contact with humans.
 Be sure to use the specified wires and fix them securely so that no external force resulting from the wires will be imposed on any terminal connections.
 Improper connections or securing of wires may result in abnormal heat build-up or fire.

Position the wires so that the cover will not rise when wiring the power supply.
 Make sure that the cover is attached securely. If the cover is attached improperly, electric shocks or fire may result.

CAUTION

Do not install this kit in the following locations:
 1. Where there is a high concentration of mineral oil spray or vapour for example a kitchen.
 2. Where corrosive gas, such as sulphurous acid gas, is produced, acid or alkaline steam gathers, or the air contains a high salt content, such as places by the sea. Parts may be corroded and fall off.
 3. Near machinery emitting electromagnetic waves or in places with great voltage fluctuations, such as factories.
 4. Where flammable gas may leak, in places with carbon fiber or ignitable dust suspensions in the air or with volatile flammables such as paint thinner or gasoline, or in vehicles or vessels. Fire may result if gas leakage occurs and stays around the kit.
 5. Where small animals (termites, fallen leaves gather, or wasps) swarm.
 Small animals making contact with electrical parts can cause malfunctions, smoke or fire.

1 Wiring Diagram

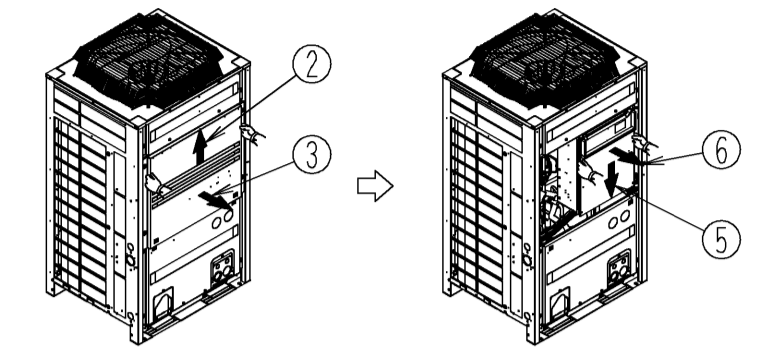


2 Components Please make sure all the below listed components are in the package prior to the installation.

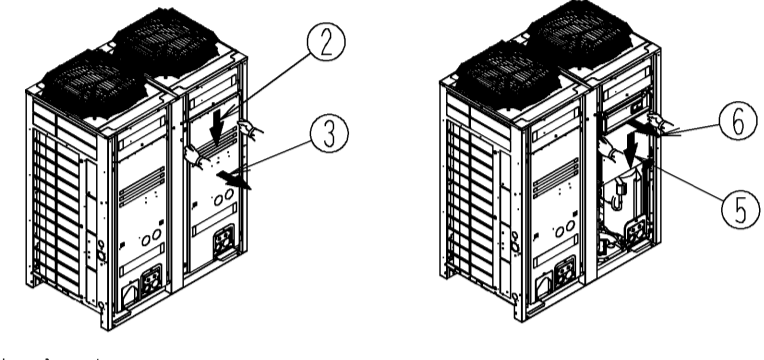
Installation manual	ABC I/P printed board kit	Wire harness Assy	Clamp material	Harness clamp	1 Tress HAAR MACHING
1 copy	1 pc.	1 pc.	1 pc.	1 pc.	1 pc.

3 Installation Method

Before Installation - Remove the front panel and Electrical Components Box cover, for RXYQ 72~120, 168~240PTJU, RXYQ 72~240PYDN, REYQ168~240PTJU, REYQ144~240PYDN

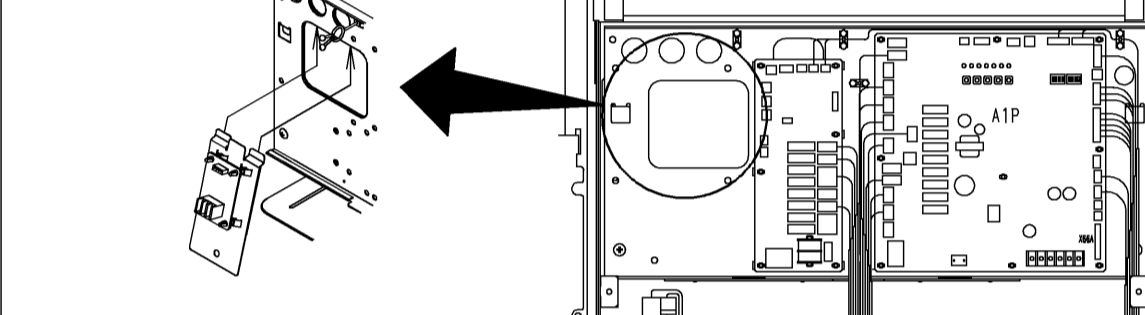


for RXYQ144PTJU, REYQ 72~144PTJU, REYQ 72~120PYDN



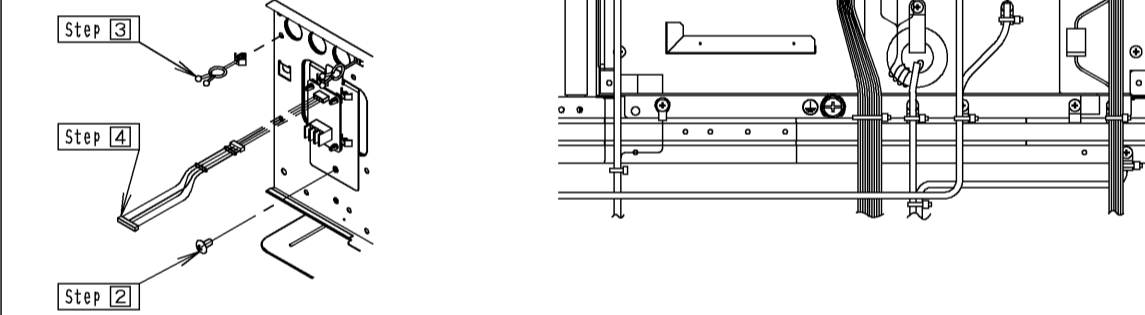
- Remove the screws on the front cover.
- Slightly lift the panel.
- Pull the panel then forward and remove it.
- Remove the 4 screws on the Electrical Components Box cover.
- Pull the cover downward till its top shows.
- Pull the cover then forward and remove it.

Step 1



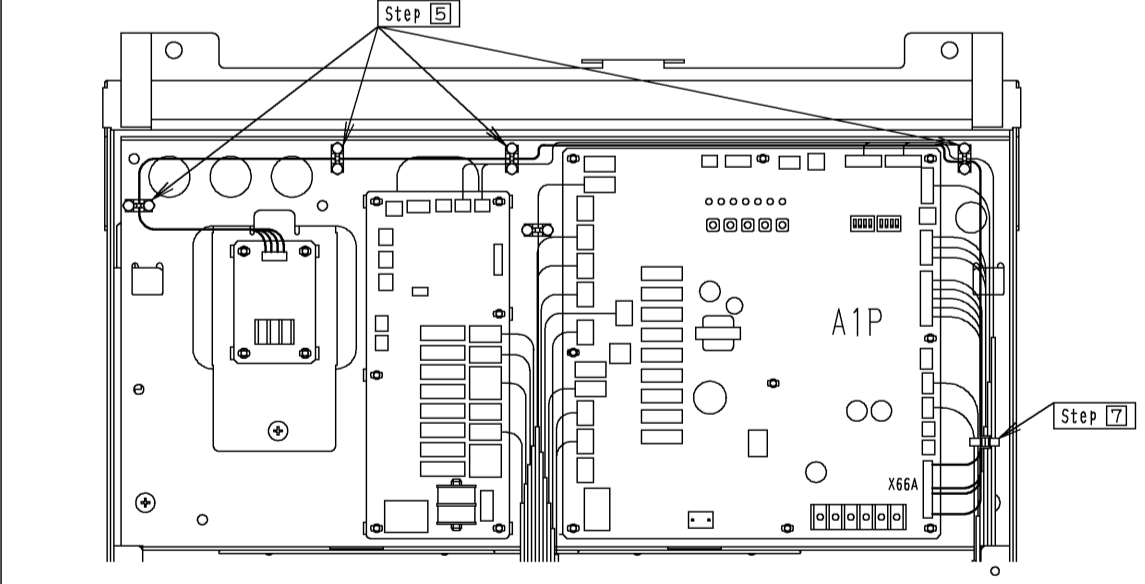
Step 1: As shown in the upper figure, fit ABC I/P printed circuit board kit in the opening.

Step 2 ~ Step 4



Step 2: Fix ABC I/P printed circuit board kit with the screw.
 Step 3: Mount harness clamp
 Step 4: Connect the wire harness Assy to the ABC I/P printed circuit board (X1A).

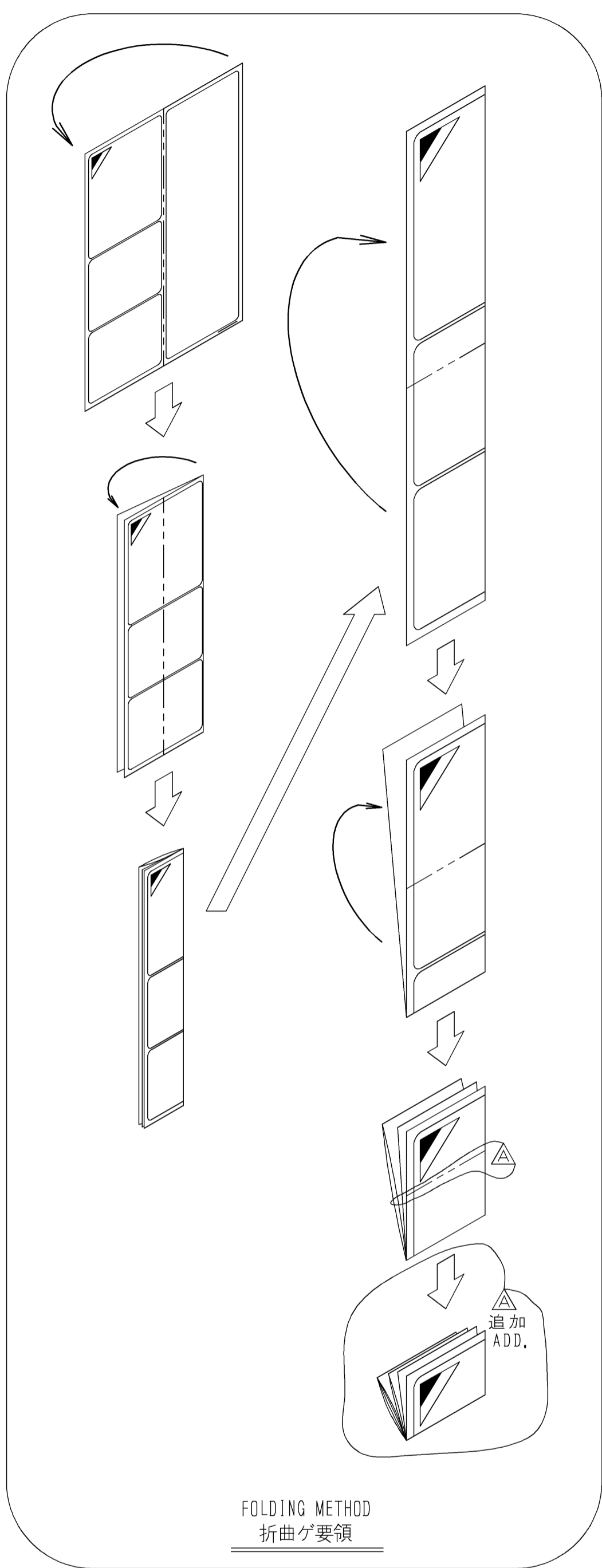
Step 5 ~ Step 6



Step 5: Proceed wiring of wire harness Assy, as shown in the upper figure.
 Step 6: Connect the wire harness Assy to the A1P(X6A).
 Step 7: Fasten the wire harness Assy together with other wires using clamp material.

4 After Assembling

- Please check after all the procedures are followed to make sure there is no such connector/terminal in the Electrical Components Box left disconnected.
- Put back the Electrical Components Box cover in the reverse way as it was removed.
- Put back the front panel in the reverse way as it was taken off.



- 注)
- 紙ノ大キサハ420×594 (A2サイズ) トスルコト。
 - 色ハ全テ黒色トスル。
 - 本据付説明書ニ対シテハ、版下ヲ提供スル。
 - タイトルガ正面ニ見エル様、上図ヲ参考ニ紙折ノコト。

- NOTES)
- SIZE OF PAPER : 420×594 (A2 SIZE).
 - USE BLACK COLOR FOR ALL.
 - BLOCK COPY WILL BE SUPPLIED.
 - FOLD IT SO THAT THE TITLE STAY ON THE TOP AS SHOWN ABOVE FIGURE.

第3角法 第三角法 3RD ANGLE PROJECTION

適合規格 AS303004 ASB040004

冷媒圧力受 ケイ部品
 DP2.8 1
 DP3.3 2
 DP4.17 3
 ノ他圧力 9

共用先 設・区 配布
 B開発G
 K開発G
 セ・事務
 圧縮G
 登録DAPICS (コードニヨリ記入)
 @10・20・50・60・70

配布先 G・N・S・B

部署	塗装箇所	塗装種別	業地	工程	仕上色	輪	塗装(マタハ備考)	公差	公差
ITEM	PLACE	PAINT	FOUND	PROCESS	COLOR	GLOSS	REMARK	TOLERANCE	TOLERANCE
								指示ナキ箇所/公差	NOT INDICATED

補用先: 寄・巻
 BNO83788D 08/12/03
 試作結果反映ニヨル
 2 試作結果反映ニヨル
 3 試作結果反映ニヨル
 4 試作結果反映ニヨル

BRP2A81
 据付説明書
 INSTALLATION MANUAL

DAIKIN INDUSTRIES LTD SCALE
 承認 照査 設計 製
 APPROVED CHECKED DESIGNED DRANN
 作成日 DATE TR 08. 11. 21
 部品コード PART CODE JA942500
 1P237872A